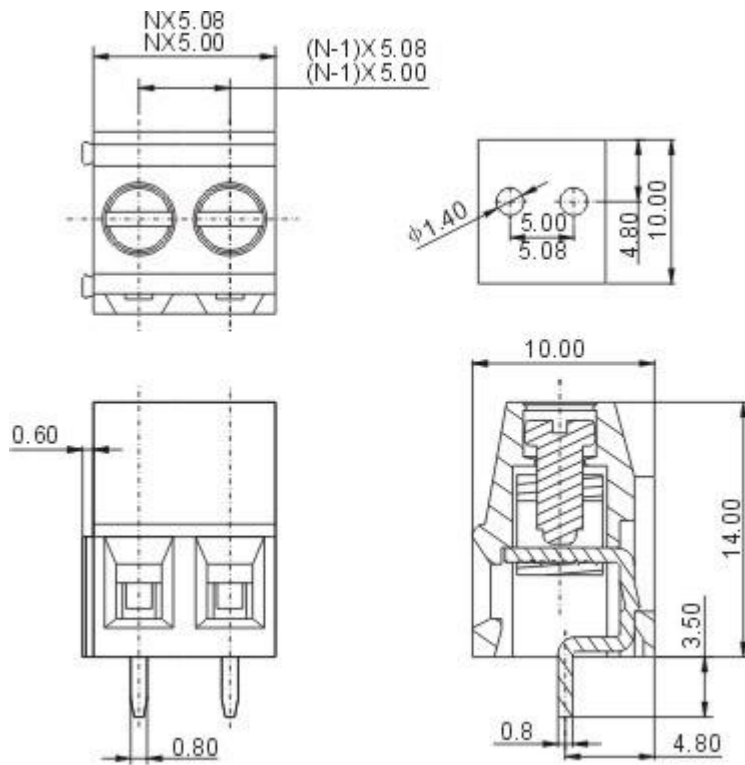




Standard	UL	VDE
Rated voltage	300V	250V
Rated current	15A	18A
Wire range	24-12AWG	2.5mm ²
Withstanding voltage	AC2000V/1Min	
Ambient temperature	-40°C~+105°C	
Strip length	7mm	
Torque	0.4Nm(3.5Lb-In.)	
Pitch	5.00 / 5.08mm(.197")	
Poles	2P , 3P ---Any poles	
Housing	PA66,UL94V-0	
Screws	M2.5,steel,Cr ³⁺ Zn plated	
Solder Pins	Brass, Tin plated	
Contact Cage	Brass, Ni plated	



How To Order:

GS010	-	5.00	-	02	P	-	4	-	
Series No.		Pitch(mm)		No.of Poles			Color		Screw Type A: Slot "-"
		5.00					1. Grey 2.Blue		B. Crossing "+"
		5.08					3. Black 4.Green		
							5.Orange 6.Red		
							7.Natural 8.White		