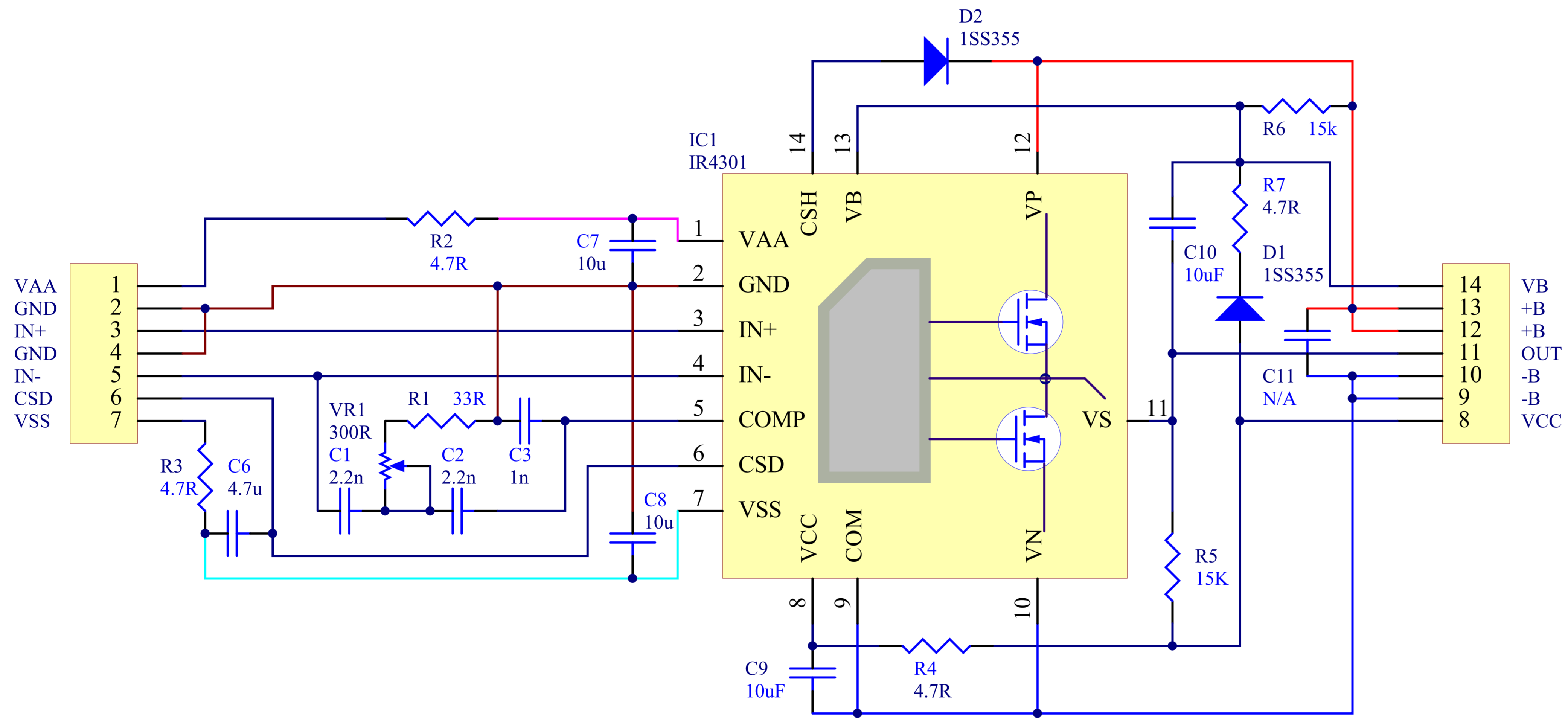


LVX-IR4301M PWM Power Amplifier Module



Title		
LVX-IR4301M Module		
Size	Number	Revision
A		1.0
Date:	2012/12/09	Sheet of
File:	F:\LV-2\..LVX-IR4301M_AMPMOD	Drawn By Doc