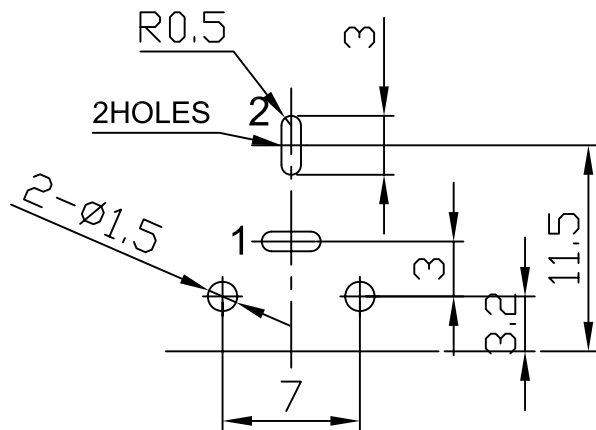
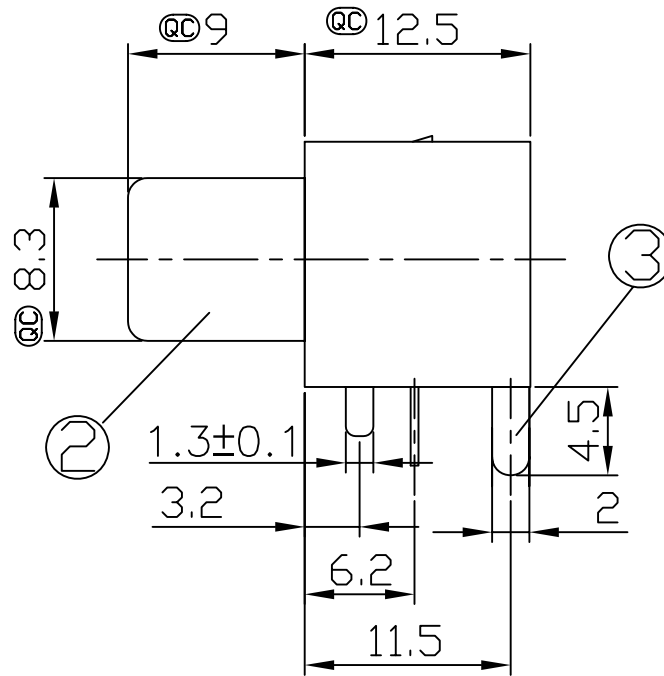
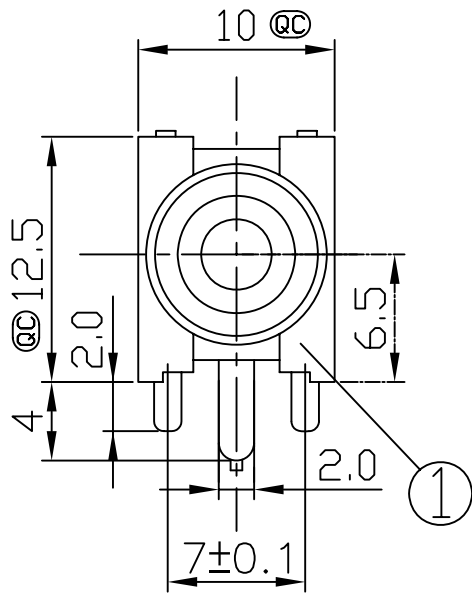


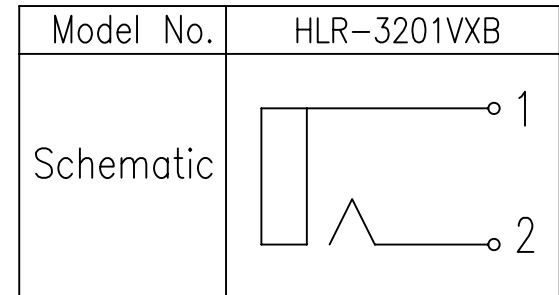
1 2 3 4 5 6 7 8

ECN NO.	REV	MODIFICATION	DATE	DRAW	APPROVE
	A1	NEW ISSUES	2009.07.02	JULY	ALAN



T:1.6 Dimensions of PC board holes
 Tolerance : ±0.1(Printed-bottom view)

MODEL NO.	COLOR OF HOUSING
HL-3201VXB-001H	BLACK
HL-3201VXB-002H	YELLOW
HL-3201VXB-003H	RED
HL-3201VXB-004H	WHITE
HL-3201VXB-005H	ORANGE
HL-3201VXB-006H	GREEN
HL-3201VXB-007H	BLUE



LEAD FREE

3	TERMINAL	1	C2680 t=0.4	MB:Cu Cu/Sn PLATED
2	OUTER CONTACT	1	C2680 t=0.4	AU PLATED
1	HOUSING	1	PBT 4815	UL-94V0
NO.	DESCRIPTION	QTY	MATERIAL	REMARK

QC Inspection Item	DIMENSION IN mm [Inch]			
	TOLERANCE UNLESS OTHERWISE SPECIFIED		DWG NO. HLR-3201VXB	FILE NO. HLR-3201VXB-001HG
	X ±±0.5	X *± 3°	TITLE PIN JACK	
	XX ±±0.3	XX *± 2°	CUSTOMER COPY	
XXX ±±0.25		APPROVE JACK	CHECK ALAN	DRAW JULY
		PROJ. SCALE 1:1	SHEET 1 / 1	REV A1

1 2 3 4 5 6 7 8