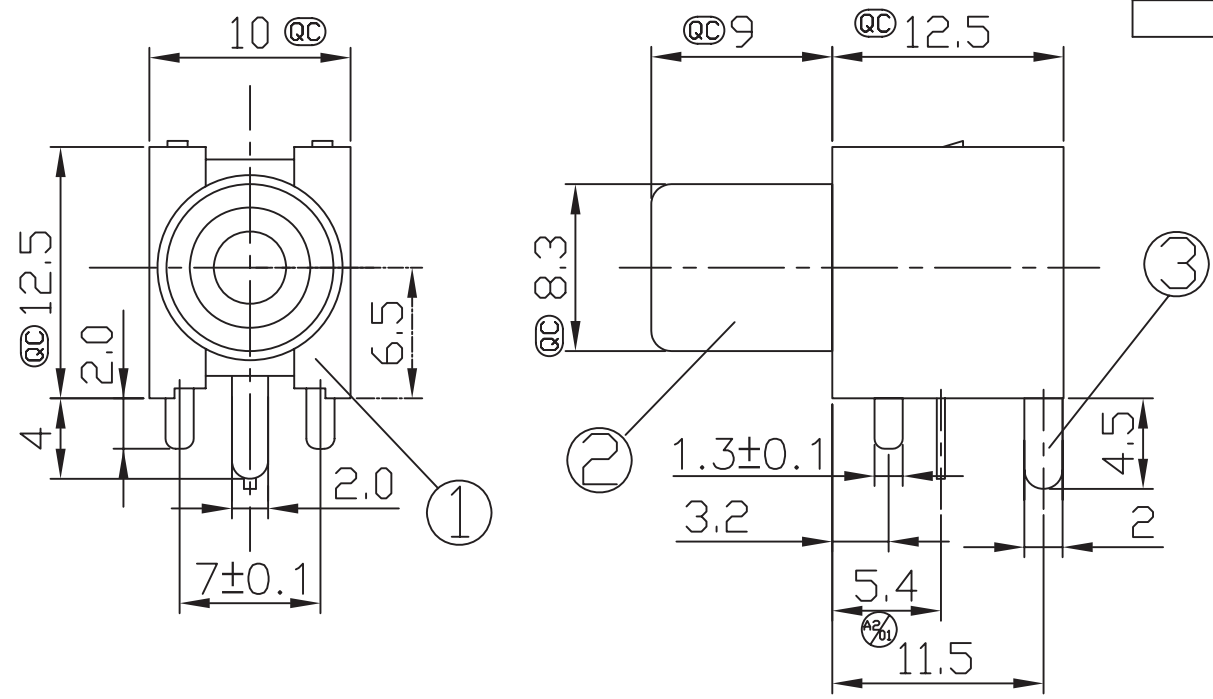
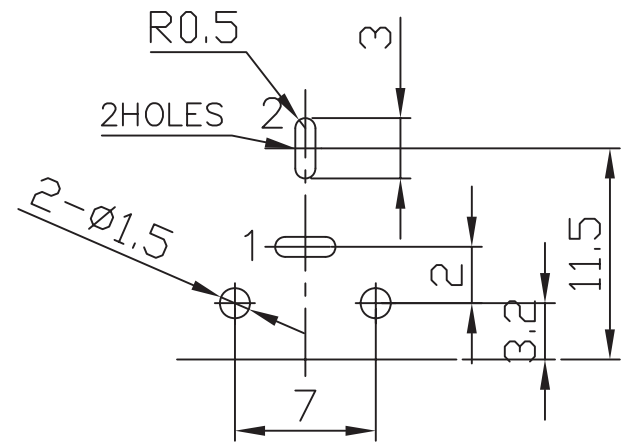
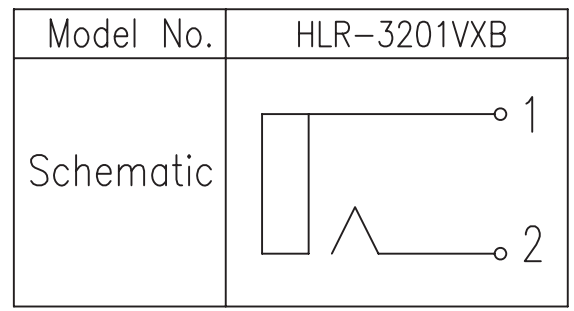


1 2 3 4 5 6 7 8

ECN NO.	REV	MODIFICATION	DATE	DRAW	APPROVE
	A1	NEW ISSUES	2009.07.02	JULY	ALAN
	A2	依据实物修改尺寸	2012.08.23	胡志隆	胡志隆



004GH
 HLR-3201VXB-005GH
 HLR-3201VXB-006GH GREEN
 HLR-3201VXB-007GH BLUE



T:1.6 Dimensions of PC board holes
 Tolerance : ±0.1(Printed-bottom view)

LEAD FREE

3	TERMINAL	1	C2680 t=0.4	MB:Cu Cu/Sn PLATED
2	OUTER CONTACT	1	C2680 t=0.4	MB:Cu Au PLATED
1	HOUSING	1	PBT 4815	UL-94V0

NO.	DESCRIPTION	QTY	MATERIAL	REMARK
DIMENSION IN mm [Inch]				
TOLERANCE UNLESS OTHERWISE SPECIFIED		DWG NO.	FILE NO.	HLR-3201VXB-001GH
X	±0.5	X	± 3°	
XX	±0.3	XX	± 2°	
XXX	±0.25	TITLE		CUSTOMER COPY
APPROVE		CHECK	DRAW	PROJ.
JACK		ALAN	JULY	
SCALE		1:1	SHEET	1 / 1
			REV	A2

1 2 3 4 5 6 7 8