

SPECIFICATIONS

Circuit:1,2,3,4,6,9,12,15

Voltage rating:300V AC,DC

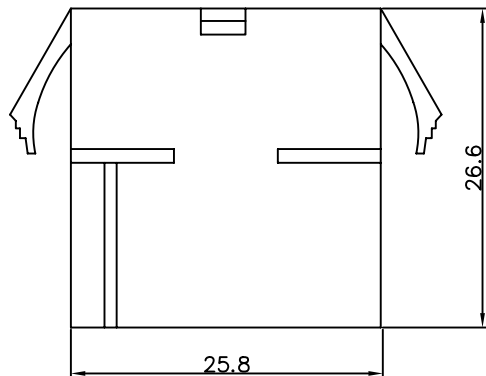
Current rating:12A AC,DC

Withstanding voltage:1500V AC/minute

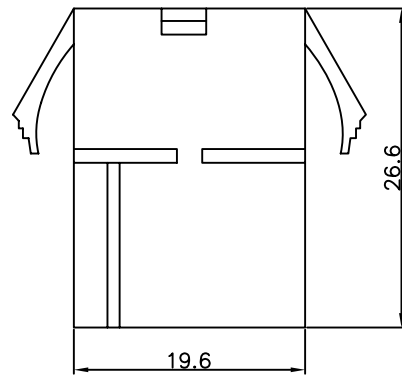
Insulation resistance:1000M ΩHM min

Temperature range:-25 C~+90 C

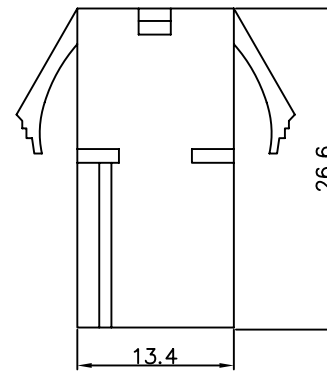
Material:UL94V-2 nylon 66



L-PE-1X04



L-PE-1X03



L-PE-1X02

L-PE-1Xxx-LF
LEADFREE

RoHS Compliant



PART NO. L-PE-1Xxx

DWG NO. L-PE-1Xxx

FILE NO.

CHECKED BY CY

DRAWING BY

TOLERANCES ARE
.X ± 0.3
.XX ±
.XXX ±
AWG

DESCRIP TION:				
AREA	REVISIONS	HK	DATE	

UNIT / mm

SCALE 1:1

PROJECTION

煜倫股份有限公司