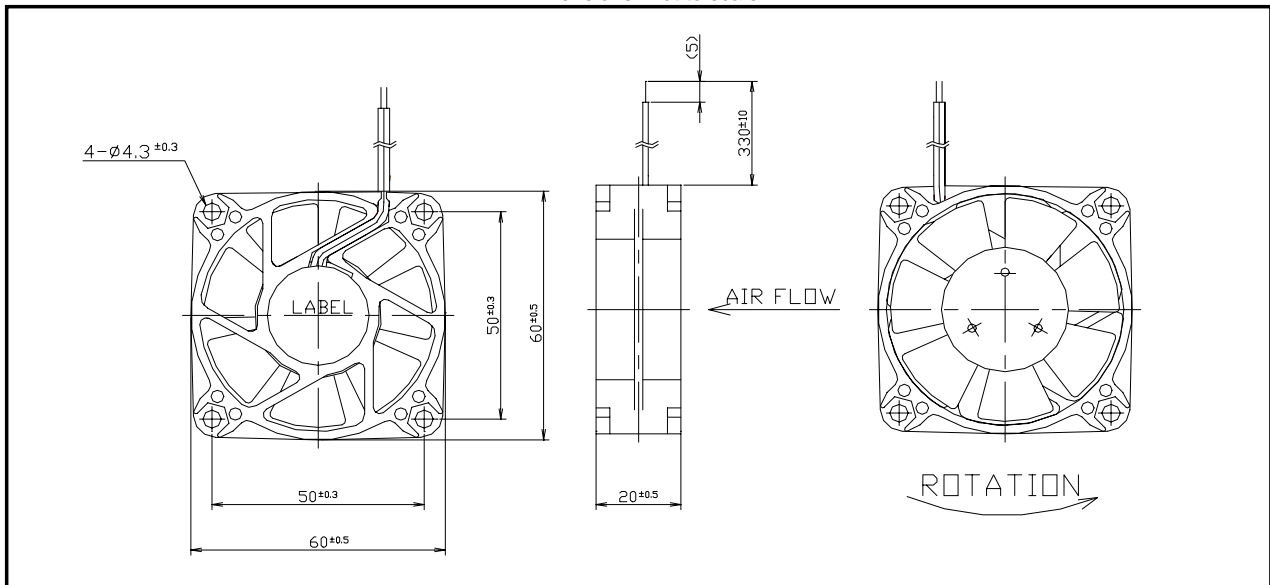


# F6020AP TYPE

1ボール1スリーブ  
(60x60x20mm)

Dimensions: Not to scale



## Specifications

機種名 (Model)	F6020AP-05MCW	F6020AP-12KCW	F6020AP-12LCW	F6020AP-12PCW	F6020AP-24PCW
定格電圧 (DCV) Rated voltage	5	12	12	12	24
使用電圧範囲 (DCV) Operating voltage range	4.5~5.5	10.2~13.8	10.2~13.8	10.2~13.8	20.4~27.6
定格電流 (A) Rated current	0.3	0.08	0.1	0.2	0.1
定格入力 (W) Rated input	1.5	0.96	1.2	2.4	2.4
最大風量 (m <sup>3</sup> /min) Max Air Volume	0.3	0.2	0.3	0.35	0.35
最大静圧 (Pa) Max Static Pressure	17.6	8.8	19.6	2.9.4	29.4
A特性音圧レベル (dB) Noise Lv at 1m (A-weighted)	28	25	28	33	33
回転速度 (min <sup>-1</sup> ) Rotation frequency	3,500	2,700	3,200	4,500	4,500
期待寿命 (h) Life expectancy	50,000 Room temp-humidity				

**使用温度範囲(Operating temp. range) :**

-5~+60°C(5V), -10 ~ +60°C(12V, 24V) ★★

**保存温度範囲(Storage temp. range) :**

-40 ~ +70 ★★

**リード線(Lead Wire) :**

UL2468 AWG26: {Red(+), Green(-)}, {12V: Red(+), Black(-)}, {24V: Red(+), Blue(-)}

**重量(Weight):**

50g

**絶縁抵抗(Insulation resist.) :**

Min 10M Ω at DC500V (Between frame and leadwire)

**耐電圧(Voltage withstand):**

5mA (AC500V 1minute or AC600V 1 second, between frame and leadwire)

★In room temperature and humidity ★★In room humidity Room temp.=20±15°C, Room humidity=65±20%

0203

Specifications subject to change without notice. Copyright ©2002 Shicoh Engineering Co., Ltd.

<http://www.shicoh.com>

