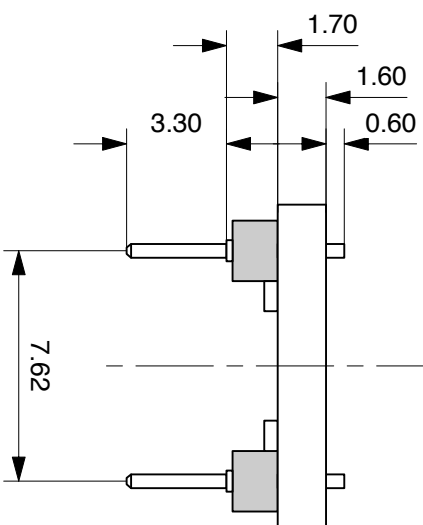
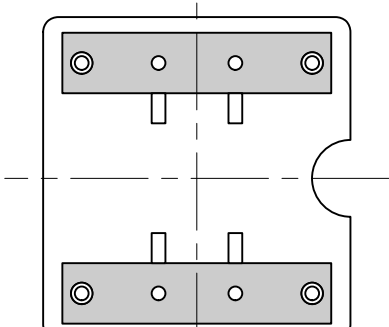
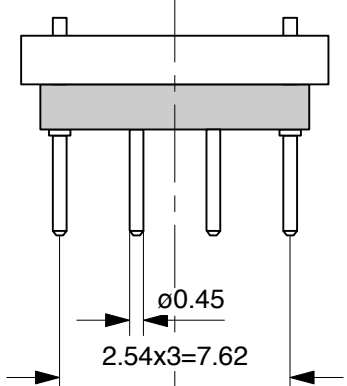
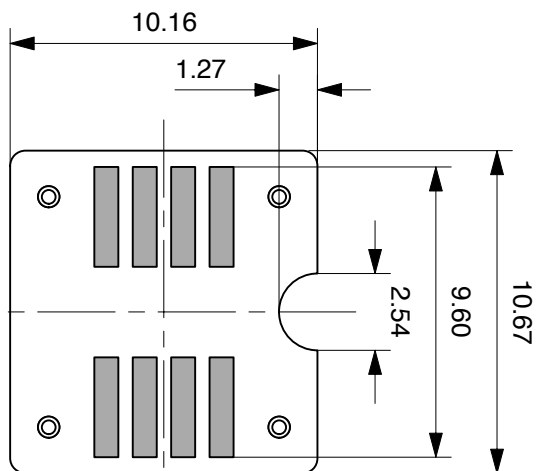
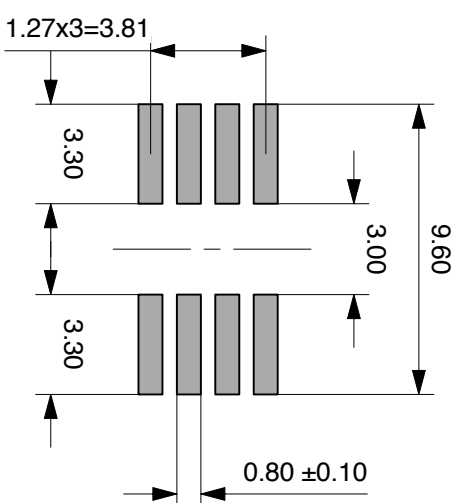


MODEL NUMBER

08P-SOD-127-300



Size of SOP pad



NOTES:
 All specifications are to latest revision, unless otherwise noted.
 Specifications are subject to change without notice.



Sunhayato Corp.

DRAWING NO.	CP-86215	REV.		DRAFTER	Toshiya H.
DATE	2004.2.2	CHECKER		APPROVAL	
DIMENSION	mm				
SCALE	4:1		±0.3		