

5

4

3

2

1

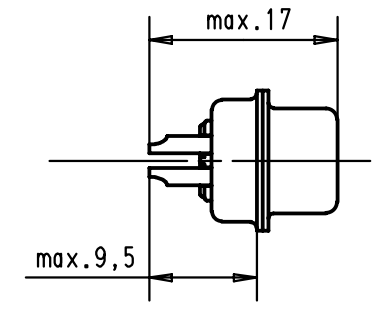
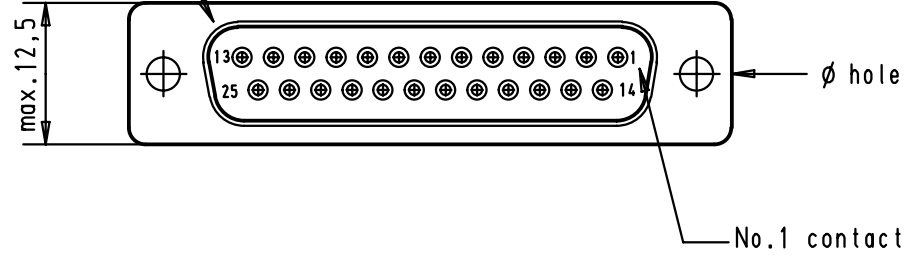
D

C

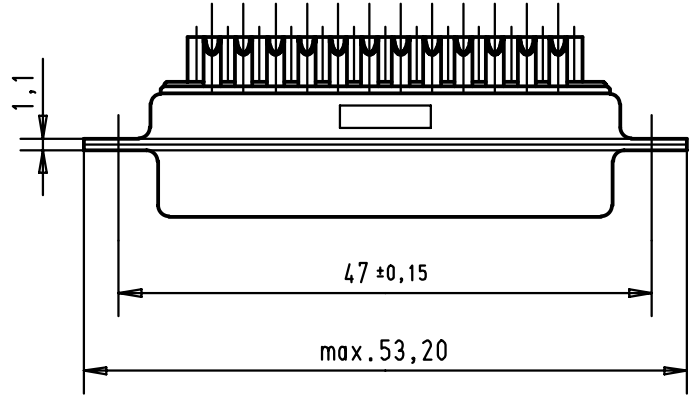
B


A

Mating face according to : MIL-C-24308 / DIN 41652 / CECC 75301-802



Max wire ϕ 1,05 mm



| | | | | | | | | | | | | |
|---|-------------------|---------------------|-------------------|------|------|------|-------------------------------|----------|---|--|----------------------------|----------------------|
| A | | | | | | | | |  All Dim. in mm Orig. Size DIN A 4 | D-Sub, Female, Straight 25 Poles with turned solder buckets and hole | Maßstab/ Scale 1.5:1 | |
| | 09 67 025 4715.05 | 3.1 ^{+0,1} | S4 | | | | Detail. | 18/07/01 | | | | AF |
| | 09 67 025 4715.00 | 3.1 ^{+0,1} | 2 | | | | Insp. | | | | | |
| | 09 67 025 4704.00 | 3.1 ^{+0,1} | 3 | | | | Stand. | | | | | |
| | Part number | ϕ hole | Performance level | Mod. | Dat. | Name | HARTING EURL F-95972 Paris | | | Sub. | TB 096702547xx | Blatt/ Page 1 / 1 |