

4

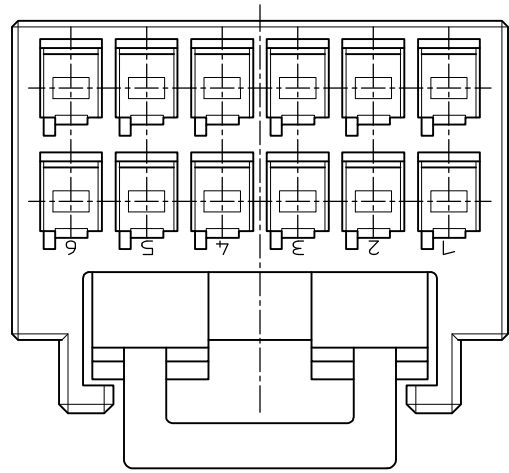
3

2

1

THIS DRAWING IS UNPUBLISHED. RELEASED FOR PUBLICATION
 © COPYRIGHT 1998 - ALL RIGHTS RESERVED.

LOC	DIST	REVISIONS					
J		P	LTR	DESCRIPTION	DATE	DWN	APVD
				C3 REVISED PER ECO-11-005030	23MAR11	RK	HMR



注記

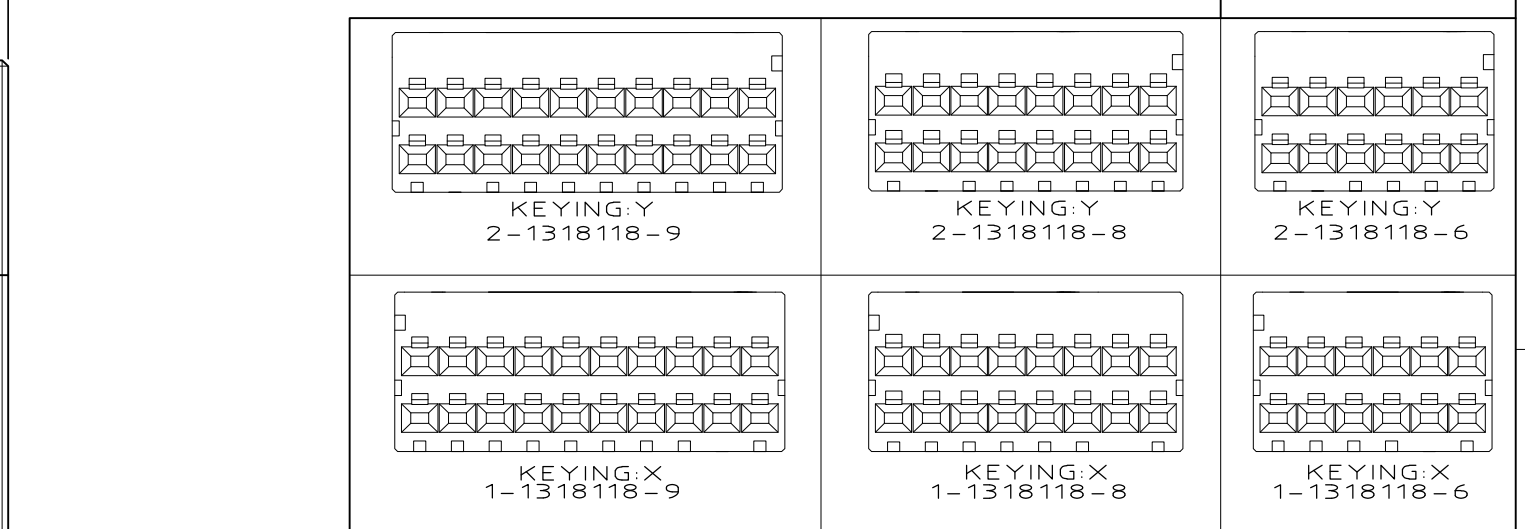
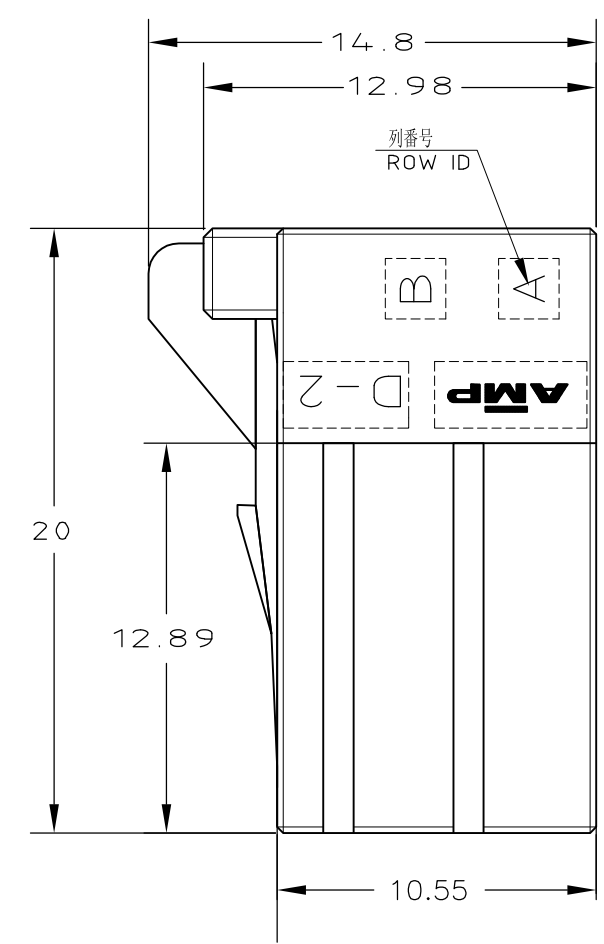
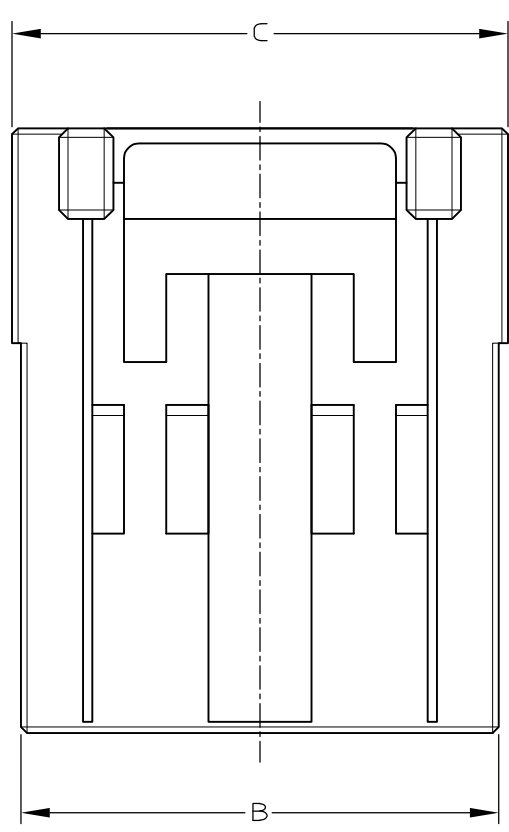
① 材料 ハウジングガラス入り熱可塑性ポリエステル樹脂(94V-0),色:黒

② ハウジング全面にテフロン塗装のこと。

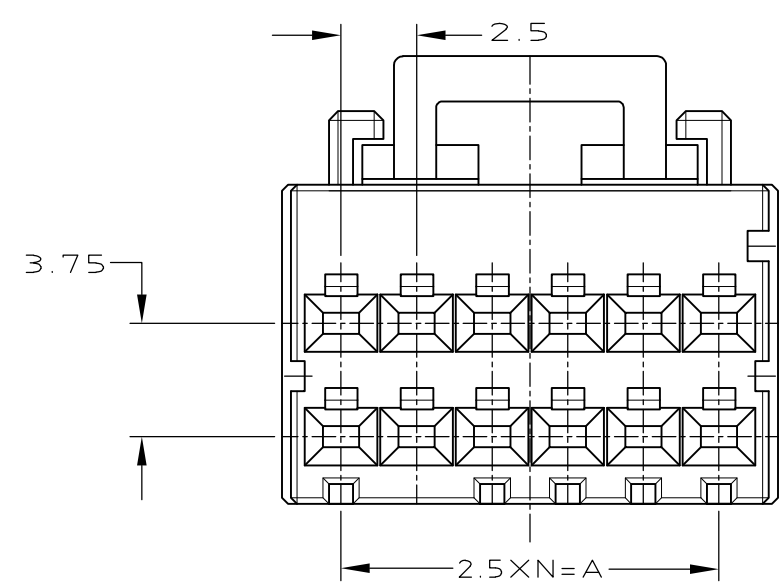
NOTES

① MATERIAL:HOUSING:GLASS FILED THERMO PLASTIC
 ,POLYESTER(94V-0),COLOR:BLACK

② TO COAT ALL SURFACE OF HOUSING WITH TEFLON



OBSOLETE	②	5.58	26.4	25.8	22.5	9	20	5-1318118-9
-	-	5.58	26.4	25.8	22.5	9	20	2-1318118-9
-	-	5.58	26.4	25.8	22.5	9	20	1-1318118-9
-	-	4.69	21.4	20.8	17.5	7	16	2-1318118-8
-	-	4.69	21.4	20.8	17.5	7	16	1-1318118-8
OBSOLETE	②	3.8	16.4	15.8	12.5	5	12	5-1318118-6
-	-	3.8	16.4	15.8	12.5	5	12	3-1318118-6
-	-	3.8	16.4	15.8	12.5	5	12	2-1318118-6
-	-	3.8	16.4	15.8	12.5	5	12	1-1318118-6
FINISH		NET WEIGHT(g)	C	B	A	N	POS	PART NUMBER



DIMENSIONS: 単位 耗 mm	TOLERANCES UNLESS OTHERWISE SPECIFIED 一般公差 10: ±0.3 30: >10 : ±0.35 100: >30 : ±0.4 ANGLE: ±3'	DWN 7/DEC/'98 K.IKEDA	TE Connectivity
		CHK 7/DEC/'98 N.MATSUBARA	
MATERIAL 材料	FINISH 仕上	APVD 7/DEC/'98 I.HASEGAWA	NAME 名称
		PRODUCT SPEC 製品規格 108-5619	2列 リセハウジング DOUBLE ROW REC HSG <DYNAMIC D-2100D>
		APPLICATION SPEC 取付適用規格 114-5258	SIZE CAGE CODE DRAWING NO 番号
		WEIGHT	A3 00779 C-1318118
CUSTOMER DRAWING			RESTRICTED TO -
			SCALE 4-1 SHEET 1 OF 1 REV C3