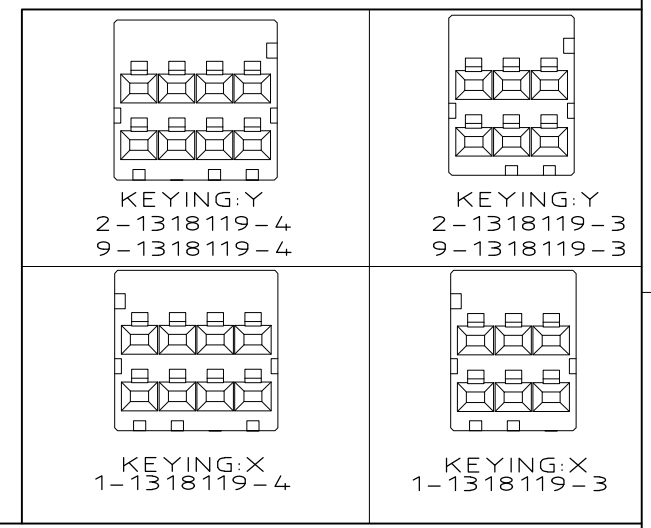
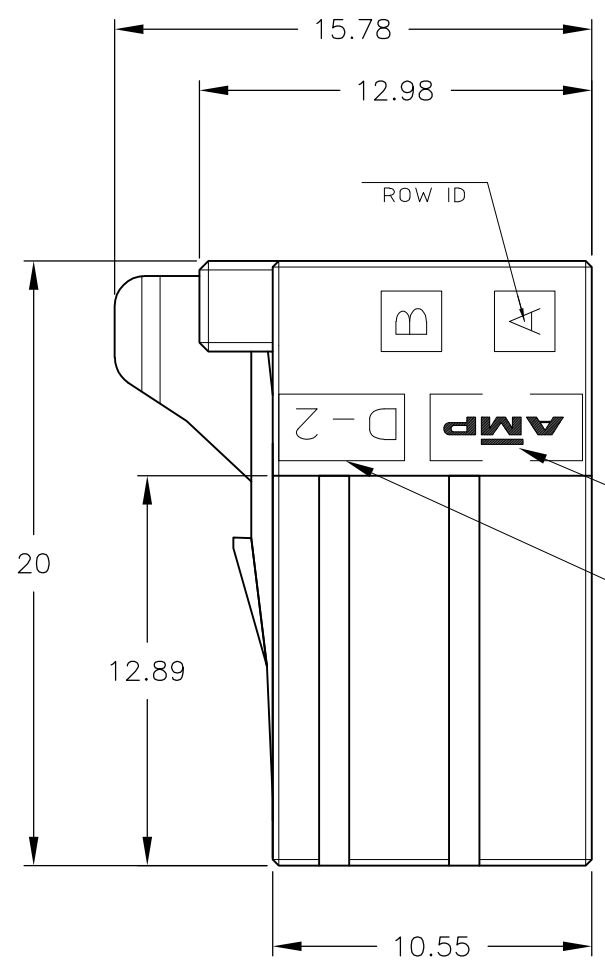
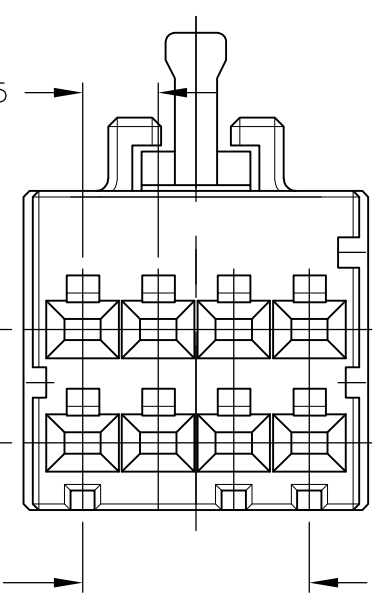
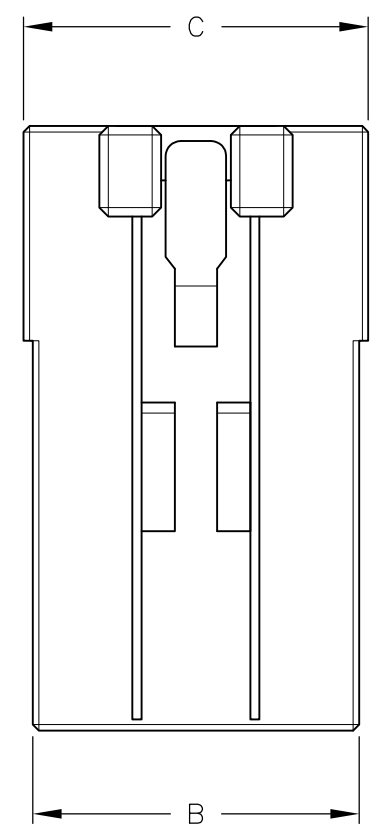
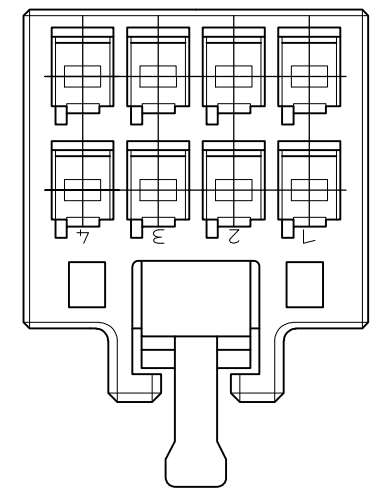


THIS DRAWING IS UNPUBLISHED. RELEASED FOR PUBLICATION  
 © COPYRIGHT 2012 By Tyco Electronics Japan G.K. ALL RIGHTS RESERVED.

LOC	DIST	REVISIONS			
P	LTR	DESCRIPTION	DATE	DWN	APVD
J	-	E REVISED	27JUN2012	H.M	N.Y

NOTES  
 1 MATERIAL:HOUSING:GLASS FILED THERMO PLASTIC  
 ,POLYESTER(94V-0),  
 COLOR:1-/2- : BLACK  
 : 9- : NATURAL  
 2 TO COAT ALL SURFACE OF HOUSING WITH TEFLON



OBSOLETE	11.4	10.8	7.5	3	8	5-1318119-4
-	11.4	10.8	7.5	3	8	9-1318119-4 2-1318119-4
-	11.4	10.8	7.5	3	8	1-1318119-4
OBSOLETE	8.9	8.3	5	2	6	5-1318119-3
-	8.9	8.3	5	2	6	9-1318119-3 2-1318119-3
-	8.9	8.3	5	2	6	1-1318119-3
FINISH	C	B	A	N	POS	PART NUMBER

KEY LOCATION VIEW  
 2-1318119-4  
 (KEYING Y)

THIS DRAWING IS A CONTROLLED DOCUMENT.

DWN	K.IKEDA	07DEC1998	 TE Connectivity
CHK	N.MATSUBARA	07DEC1998	
APVD	I.HASEGAWA	07DEC1998	
NAME			
PRODUCT SPEC	108-5619		DOUBLE ROW REC HSG DYNAMIC D-2100D
APPLICATION SPEC	114-5258		
WEIGHT	T1		SIZE CAGE CODE DRAWING NO RESTRICTED TO
CUSTOMER DRAWING			A3 00779 C-1318119
SCALE			4:1 SHEET 1 OF 1 REV E