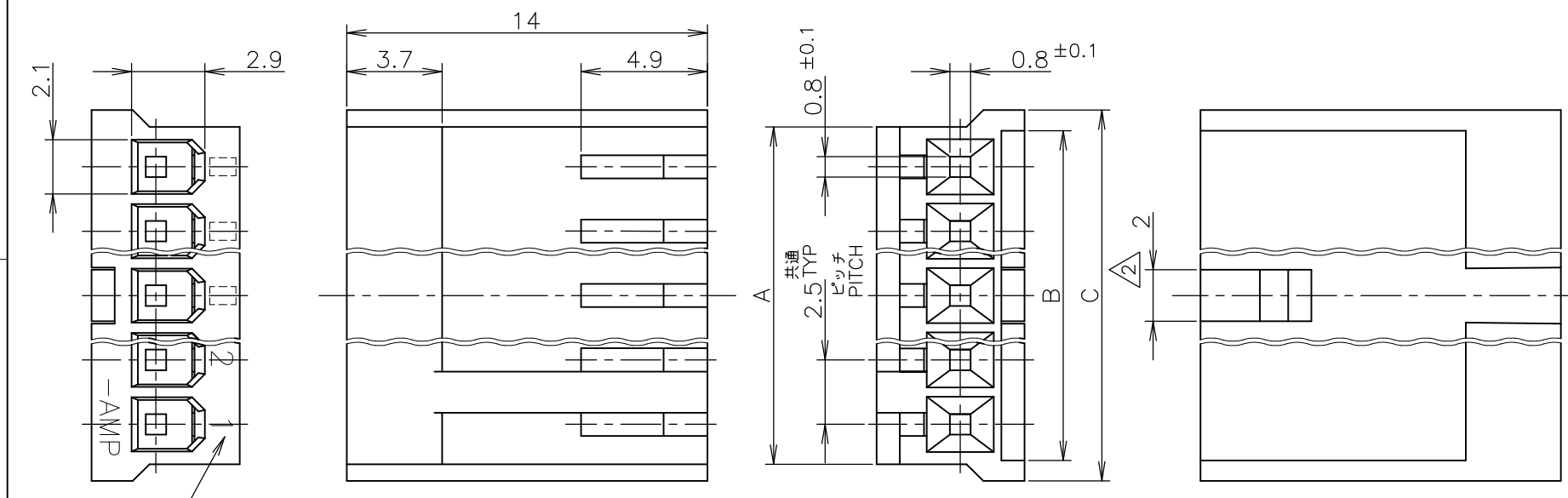
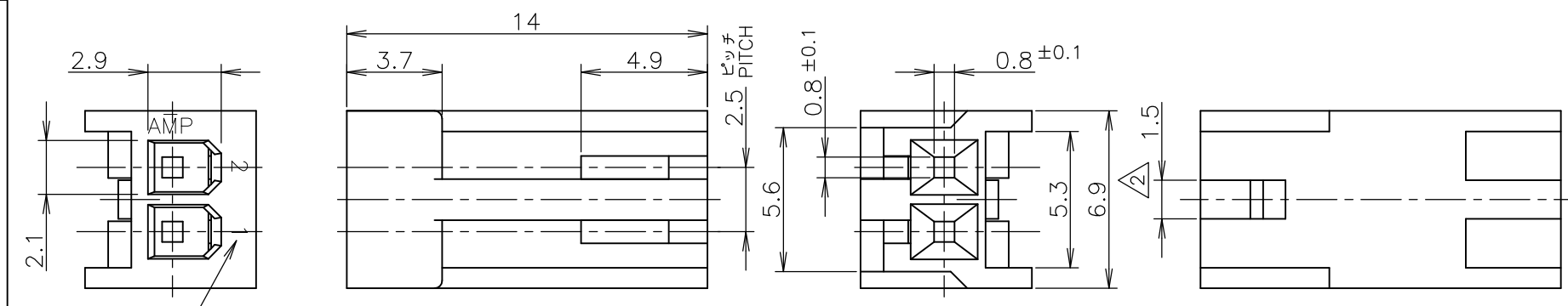
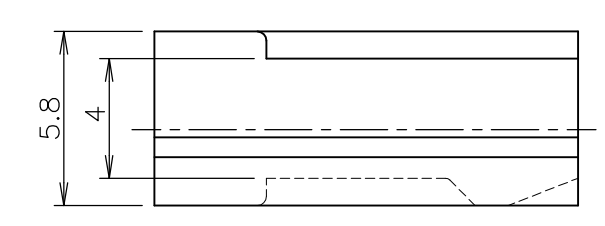


THIS DRAWING IS UNPUBLISHED. RELEASED FOR PUBLICATION
 © COPYRIGHT - By - ALL RIGHTS RESERVED.

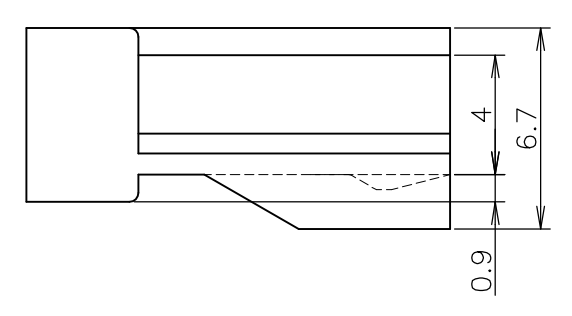
LOC J	DIST /	REVISIONS 変更		
P	LTR	DESCRIPTION	DATE	DWN APVD
	L1	REVISED PER ECO-11-005030	11MAR11	RK HMR



回路番号
CIRCUIT NO.



回路番号
CIRCUIT NO.



- 1 使用するコンタクトは 170262 又は 170263.
- 2 ロッキング凸部位置は長手方向の中央。
- 1 CONTACTS, 170262 & 170263 ARE USED.
- 2 LOCKING PROTRUSION IS PLACED ON THE CENTER OF HOUSING.

31.9	30.3	30.6	12		9-171822-2	7-171822-2	
26.9	25.3	25.6	10		9-▲-0	7-▲-0	
24.4	22.8	23.1	9		8-▲-9	6-▲-9	
21.9	20.3	20.6	8		8-▲-8	6-▲-8	
19.4	17.8	18.1	7		8-▲-7	6-▲-7	
16.9	15.3	15.6	6		8-▲-6	6-▲-6	
14.4	12.8	13.1	5		8-▲-5	6-▲-5	
11.9	10.3	10.6	4		8-▲-4	6-▲-4	
9.4	7.8	8.1	3		8-▲-3	6-▲-3	
-図示- SHOWN			2		8-171822-2	6-171822-2	
C	B	A	極数 (POS)		赤色 (RED)	緑色 (GREEN)	
31.9	30.3	30.6	12	5-171822-2	3-171822-2	1-171822-2	
26.9	25.3	25.6	10	5-▲-0	3-▲-0	1-▲-0	
24.4	22.8	23.1	9	4-▲-9	2-▲-9		
21.9	20.3	20.6	8	4-▲-8	2-▲-8		
19.4	17.8	18.1	7	4-▲-7	2-▲-7		
16.9	15.3	15.6	6	4-▲-6	2-▲-6		
14.4	12.8	13.1	5	4-▲-5	2-▲-5		
11.9	10.3	10.6	4	4-▲-4	2-▲-4		
9.4	7.8	8.1	3	4-▲-3	2-▲-3		
-図示- SHOWN			2	4-171822-2	2-171822-2	171822-2	
C	B	A	極数 (POS)		青色 (BLUE)	黒色 (BLACK)	自然色 (NATURAL)
型番 (PART NUMBER)							

THIS DRAWING IS A CONTROLLED DOCUMENT.

DWN H.HOSHINO 12JUN97
 CHK J.TANIGAWA 12JUN97
 APVD S.KUBOUCHI 03OCT97

NAME 名称
 HOUSING
 AMP EI SERIES CONNECTOR

PRODUCT SPEC
 製品規格
 108-5118

APPLICATION SPEC
 取付適用規格

WEIGHT

MATERIAL 材料
 66 NYLON (UL94-0)

FINISH 仕上

SCALE 尺度 4:1
 SHEET 1 OF 1
 REV L1

CUSTOMER DRAWING

SIZE A3
 CAGE CODE 00779
 DRAWING NO 171822
 RESTRICTED TO

GENERAL TOLERANCE
一般公差

10 ≥ : ±0.2
 30 ≥ > 10: ±0.25
 100 ≥ > 30: ±0.3
 ANGLES: ±3°

