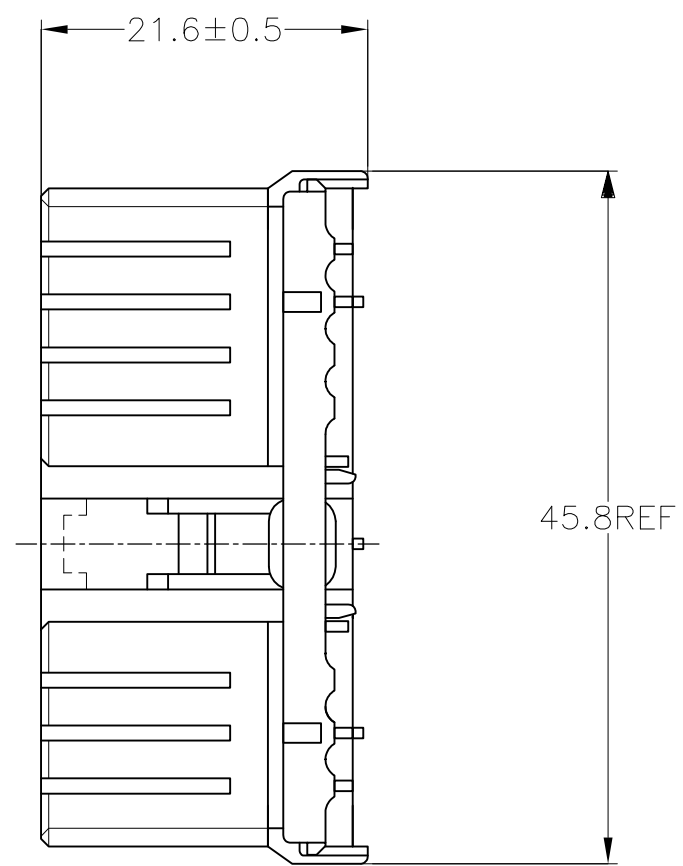
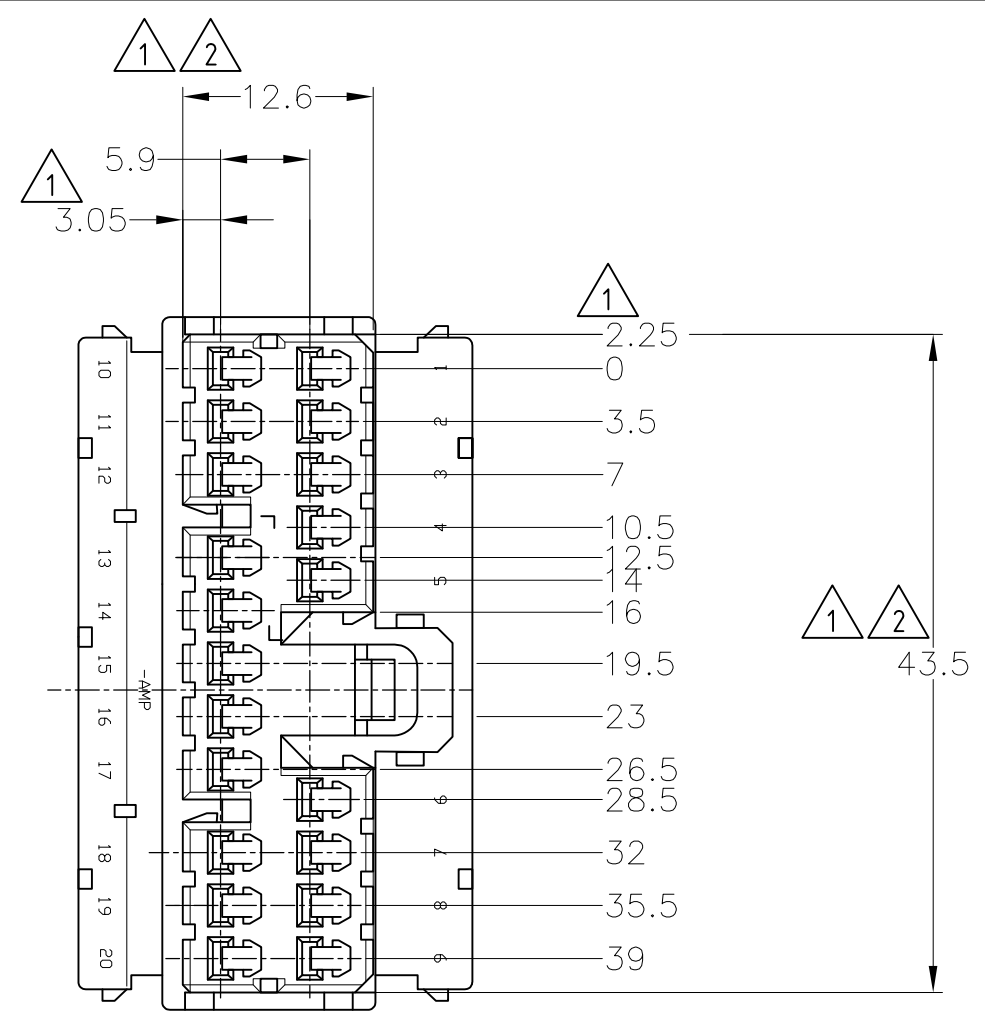
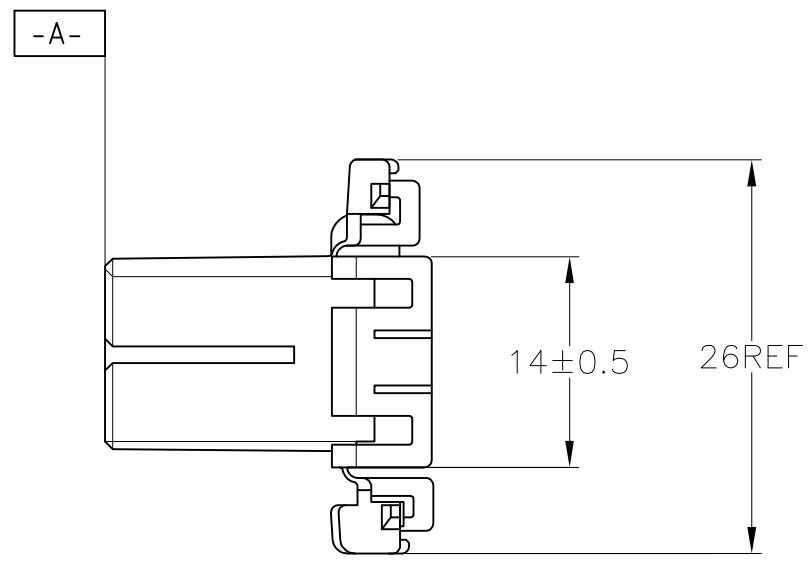


THIS DRAWING IS UNPUBLISHED. RELEASED FOR PUBLICATION
 © COPYRIGHT - By - ALL RIGHTS RESERVED.

LOC	DIST	REVISIONS					
J	-	P	LTR	DESCRIPTION	DATE	DWN	APVD
			E2	REVISED PER ECO-11-005140	28MAR11	RK	HMR



- MUST BE KEPT BETWEEN **-A-** AND 2
 - TO BE MATED WITH PLUG HOUSING SMOOTHLY
 - APPLIED TAB CONTACT; P/N 173630 AND 173631
 - APPLIED PLUG HOUSING; P/N 173936 etc
-
- A-** 面より2mmの範囲で測定
 - 相手ハウジングと所定の機能を満足して嵌合できること
 - 内装するタブコンタクトは型番173630、173631
 - 嵌合相手ハウジング型番174936 他



V-2	白 (WHITE)	1-174952-1
HB	黄 (YELLOW)	174952-7
	灰 (GRAY)	174952-6
	青 (BLUE)	174952-5
	緑 (GREEN)	174952-4
	白 (WHITE)	174952-1
使用材料難燃グレード (FLAMMABILITY OF MATERIAL)	色 (COLOR)	型番 (PART NUMBER)

THIS DRAWING IS A CONTROLLED DOCUMENT.

DWN	S.FUJITA	09DEC08	 TE Connectivity	070 SERIES MULTILOCK CONNECTOR 20POSITION PULG HOUSING
CHK	K.BETSUI	09DEC08		
APVD	K.BETSUI	09DEC08		
PRODUCT SPEC				
APPLICATION SPEC			NAME	
WEIGHT	-		SIZE	A3
CUSTOMER DRAWING			CAGE CODE	00779
			DRAWING NO	C-174952
			RESTRICTED TO	-
			SCALE	2:1
			SHEET	1 OF 1
			REV	E2

TOLERANCES UNLESS OTHERWISE SPECIFIED:

10 >=	±0.2
30 >=	> 10 : ±0.25
	> 30 : ±0.3
ANGLE	3°

DIMENSIONS: mm

TOLERANCES UNLESS OTHERWISE SPECIFIED:	
0 PLC	± -
1 PLC	± -
2 PLC	± -
3 PLC	± -
4 PLC	± -
ANGLES	± -
FINISH	-

MATERIAL: PBT