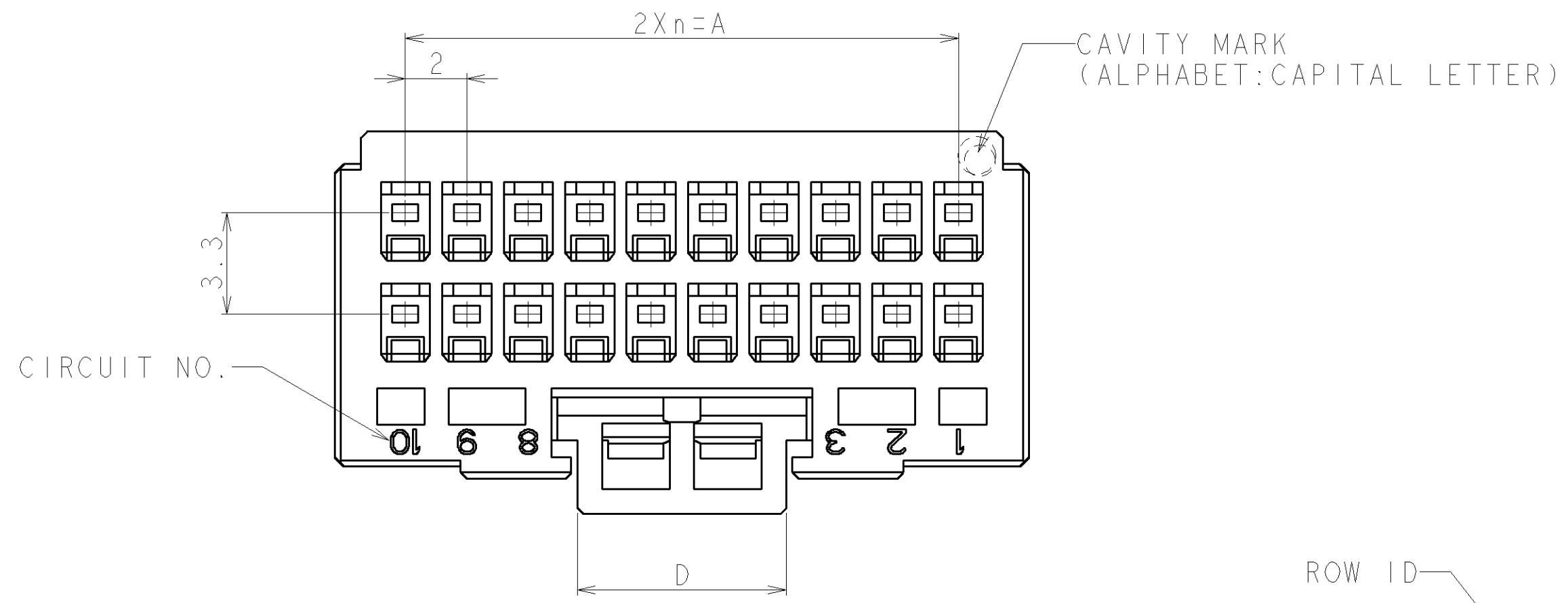


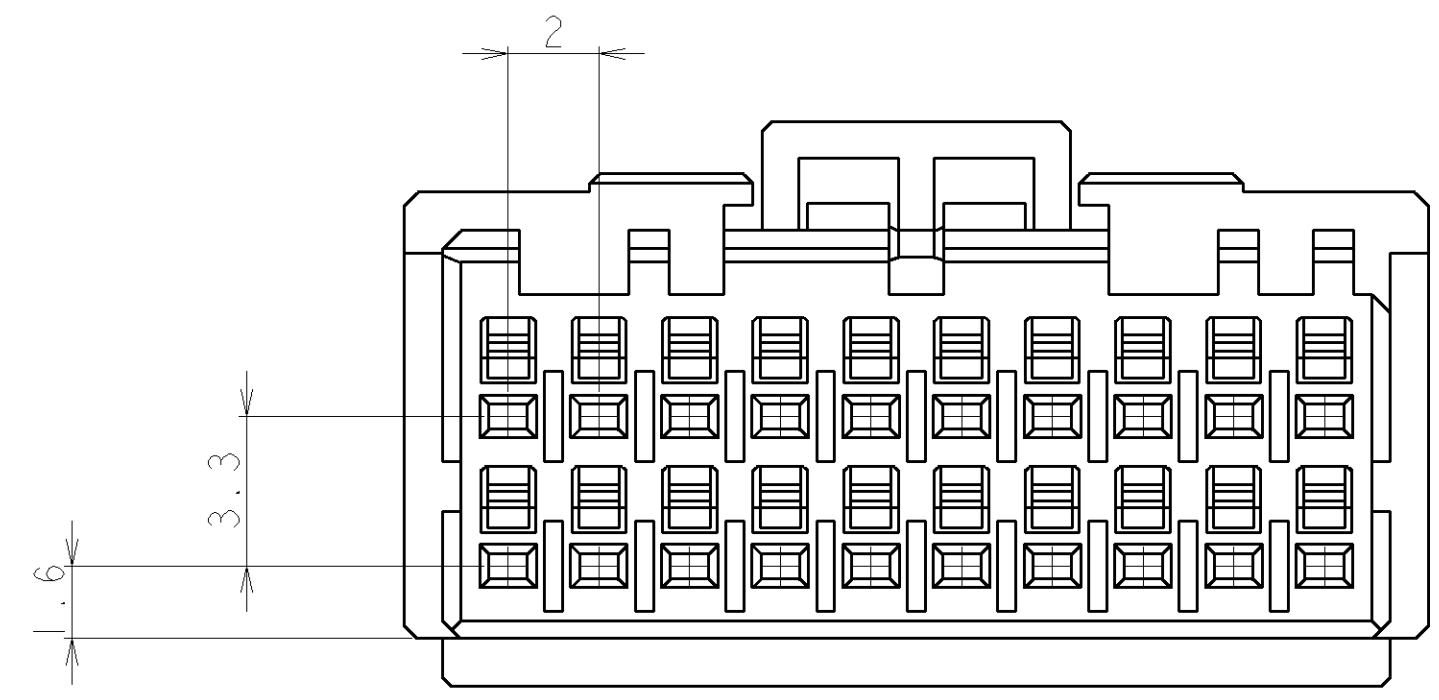
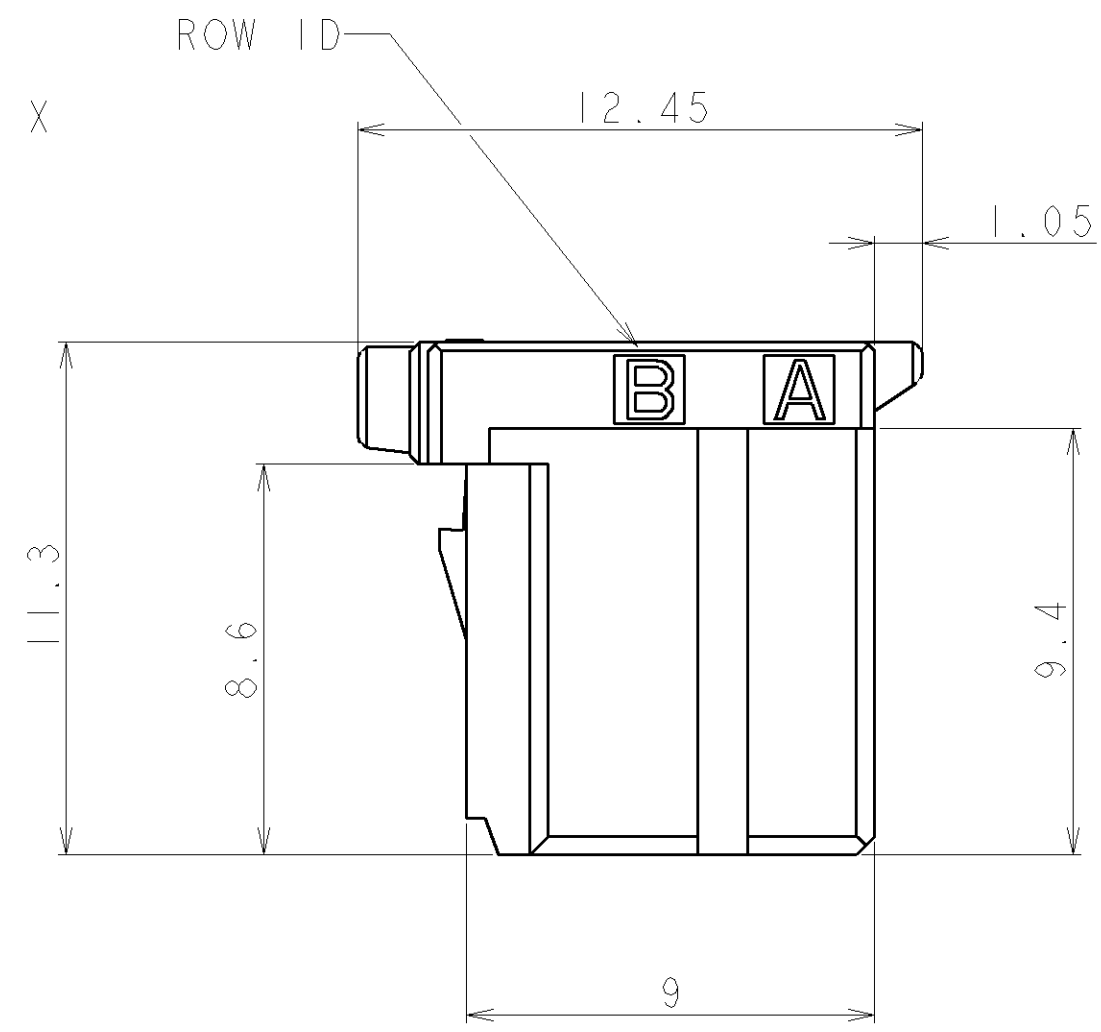
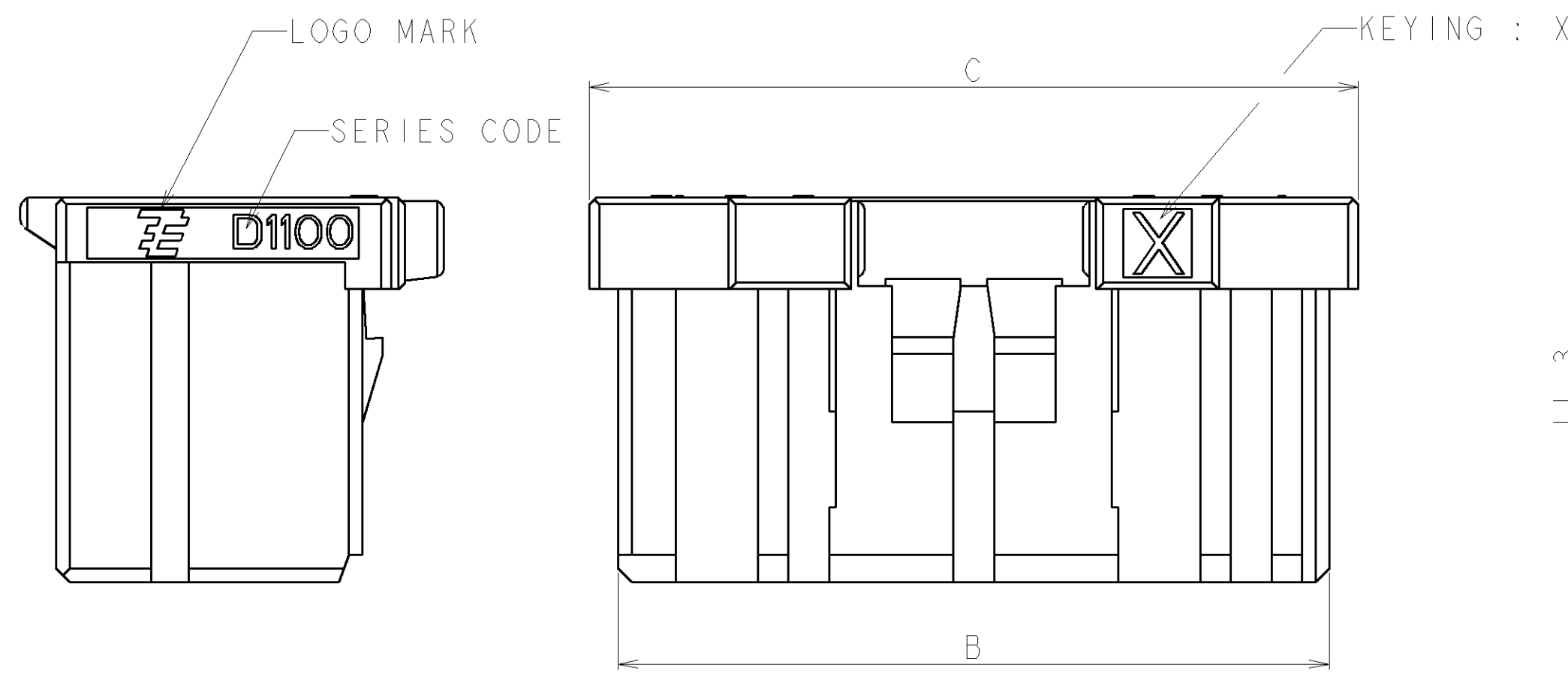
THIS DRAWING IS UNPUBLISHED. RELEASED FOR PUBLICATION 2005
 © COPYRIGHT 2005 BY TYCO ELECTRONICS CORPORATION. ALL INTERNATIONAL RIGHTS RESERVED.

LOC		DIST		REVISIONS			
P	LTR	DESCRIPTION	DATE	DWN	APVD		
	C	REVISED PER ECR-10-007257	25MAY2010	T.T	T.M		



1. MATERIAL: GLASS FILLED THERMO PLASTIC POLYESTER(94V-0), COLOR: BLACK
 2. THE SHAPE, SIZE AND POSITION OF THE CHARACTER SHOW THE OUTLINE. THEY DON'T SHOW DETAILS.

1. 材料: ガラス入り熱可塑性ポリエステル樹脂(94V-0)、色: 黒
 2. 文字の形状、大きさ、および位置については、大略を示すものであり、詳細を示すものではありません。



20	X	9	18.0	20.9	22.6	6.8	1-1827862-0
18	X	8	16.0	18.9	20.6	8.1	1-1827862-9
10	X	4	8.0	10.9	12.6	3.6	1-1827862-5
POS.	KEY	n	A	B	C	D	PART NO.

AS SHOWN
 20POS : 1-1827862-0

THIS DRAWING IS A CONTROLLED DOCUMENT FOR TYCO ELECTRONICS CORPORATION. IT IS SUBJECT TO CHANGE AND THE CONTROLLING ENGINEERING ORGANIZATION SHOULD BE CONTACTED FOR THE LATEST REVISION.

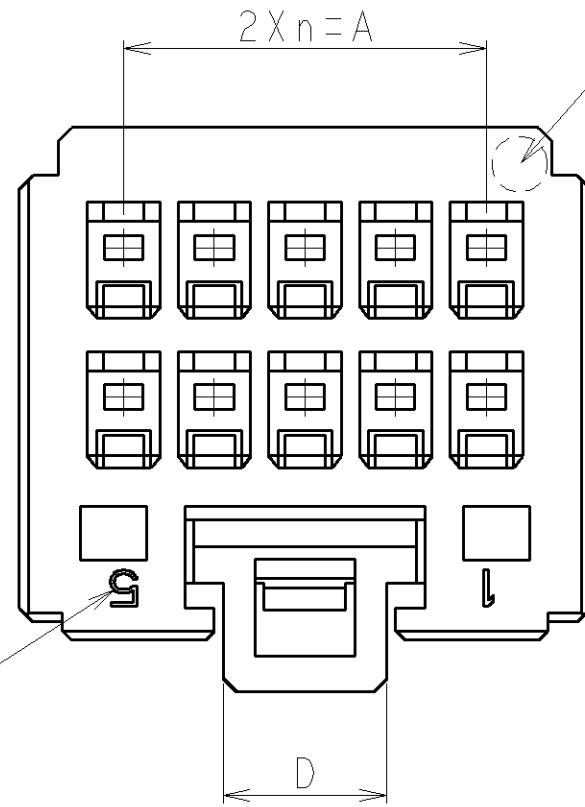
DWN M. MAEBASHI 25MAY2005	Tyco Electronics Corporation Kawasaki, Japan				
CHK T. KUDO 25MAY2005					
APVD D. MITSUGI 31AUG2005					
NAME DYNAMIC D1100D 2.0mm PITCH REC HSG 10-20 POS					
DIMENSIONS: 単位: 概 mm	TOLERANCES UNLESS OTHERWISE SPECIFIED: 一般公差 ±0.3, ±3° 1-PLC ± 2-PLC ± 3-PLC ± 4-PLC ± ANGLES ± FINISH 仕上	PRODUCT SPEC 108-78268	SIZE A200779	CAGE CODE C-1827862	RESTRICTED TO
MATERIAL	WEIGHT	APPLICATION SPEC 取付適用規格 114-5377	SCALE 6:1	SHEET 1 OF 3	REV C

CUSTOMER DRAWING

THIS DRAWING IS UNPUBLISHED. RELEASED FOR PUBLICATION 2005
 © COPYRIGHT 2005 BY TYCO ELECTRONICS CORPORATION. ALL INTERNATIONAL RIGHTS RESERVED.

LOC		DIST		REVISIONS				
P	LTR	DESCRIPTION	DATE	DWN	APVD			
-	-	SEE SHEET 1	-	-	-			

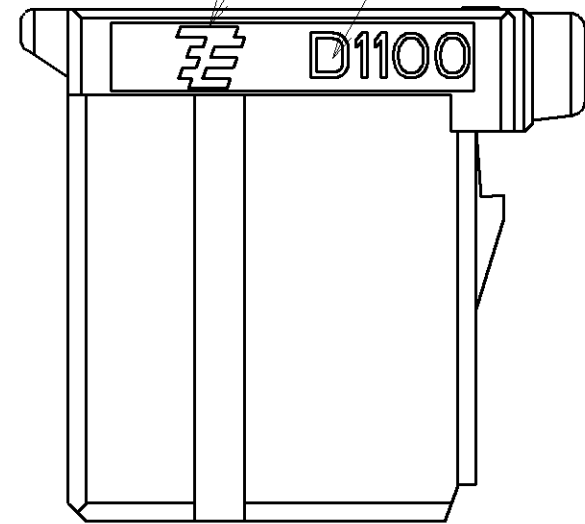
CAVITY MARK
(ALPHABET: CAPITAL LETTER)



CIRCUIT NO.

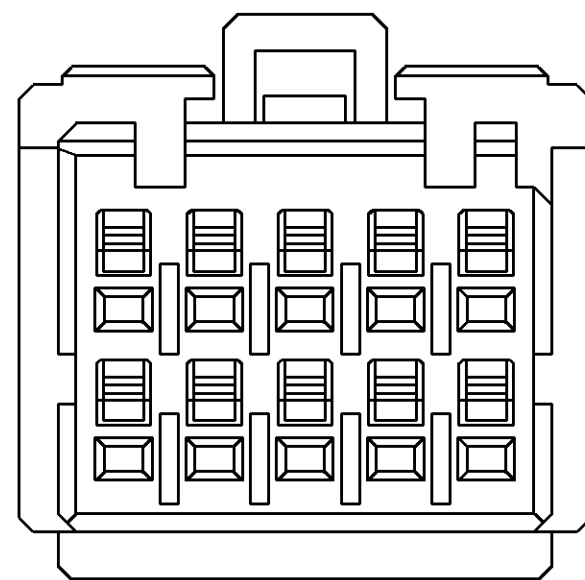
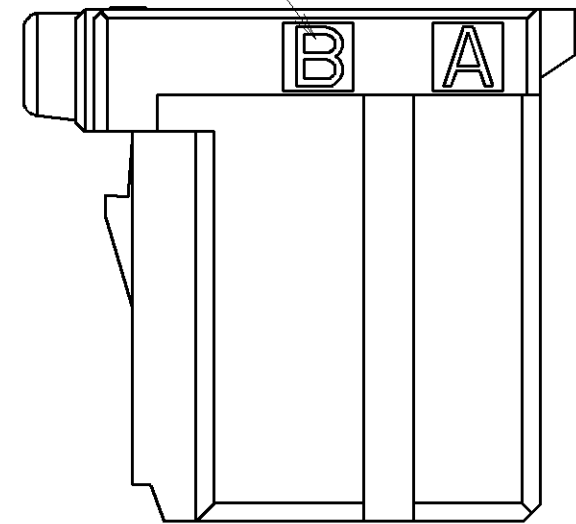
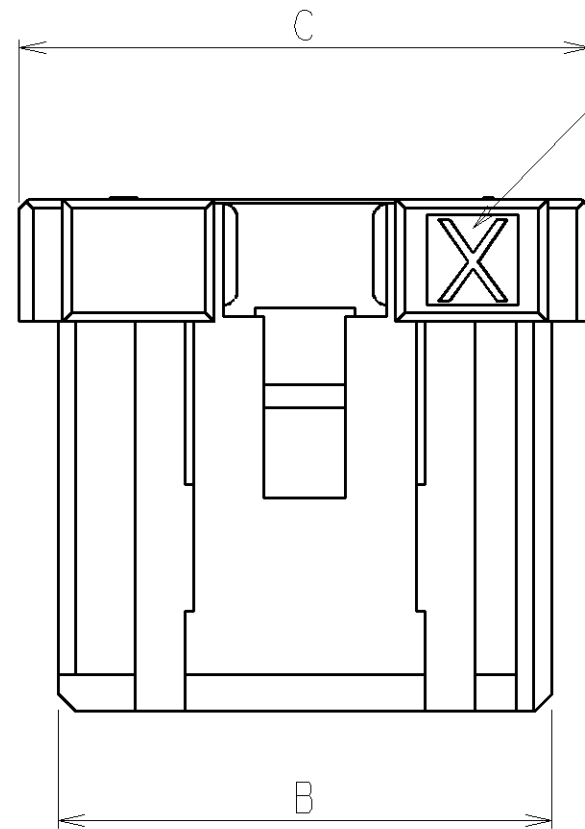
LOGO MARK

SERIES CODE



ROW ID

KEYING MARK



AS SHOWN
10POS : 1-1827862-5

<small>THIS DRAWING IS A CONTROLLED DOCUMENT FOR TYCO ELECTRONICS CORPORATION. IT IS SUBJECT TO CHANGE AND THE CONTROLLING ENGINEERING ORGANIZATION SHOULD BE CONTACTED FOR THE LATEST REVISION.</small>		DWN	Tyco Electronics Corporation Kawasaki, Japan	
DIMENSIONS: 单位: 精 mm		CHK	NAME 名称	
		APVD	DYNAMIC D1100D 2.0mm PITCH	
TOLERANCES UNLESS OTHERWISE SPECIFIED: 一般公差 0 PLC ± 1 PLC ± 2 PLC ± 3 PLC ± 4 PLC ± ANGLES ± FINISH 仕上		PRODUCT SPEC 製品規格	REC HSG 10-20 POS	
MATERIAL 材料		APPLICATION SPEC 取付適用規格	SIZE	RESTRICTED TO
		WEIGHT	CAGE CODE 番号	
		CUSTOMER DRAWING	DRAWING NO 番号	
		SCALE 尺数	A200779C-1827862	
		SHEET	2 OF 3	REV C

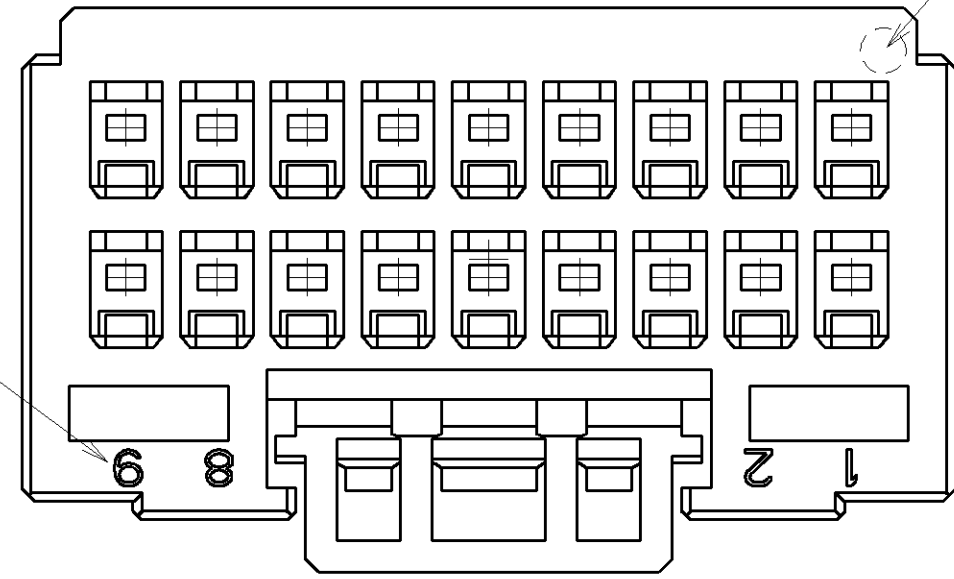
THIS DRAWING IS UNPUBLISHED. RELEASED FOR PUBLICATION 2005
 © COPYRIGHT 2005 BY TYCO ELECTRONICS CORPORATION. ALL INTERNATIONAL RIGHTS RESERVED.

LOC	DIST	REVISIONS					
J		P	LTR	DESCRIPTION	DATE	DWN	APVD
		-		SEE SHEET 1	-	-	-

SCALE 1:1

CAVITY MARK
(ALPHABET:CAPITAL LETTER)

CIRCUIT NO.

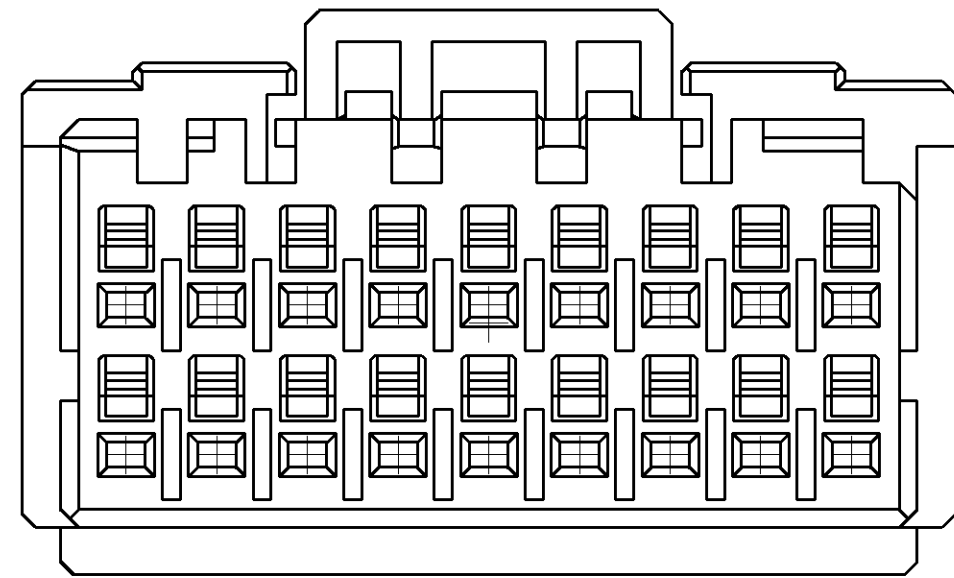
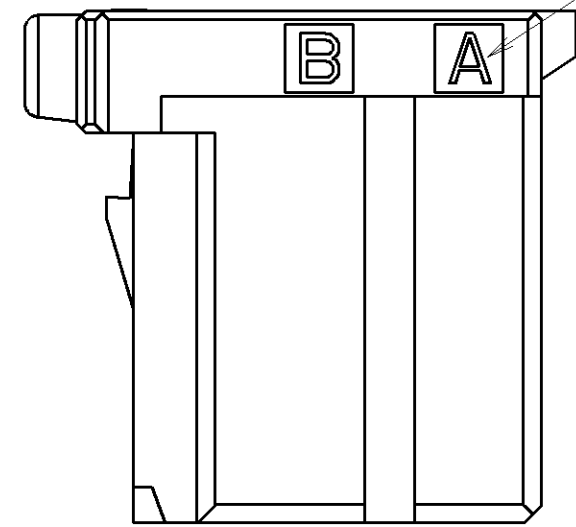
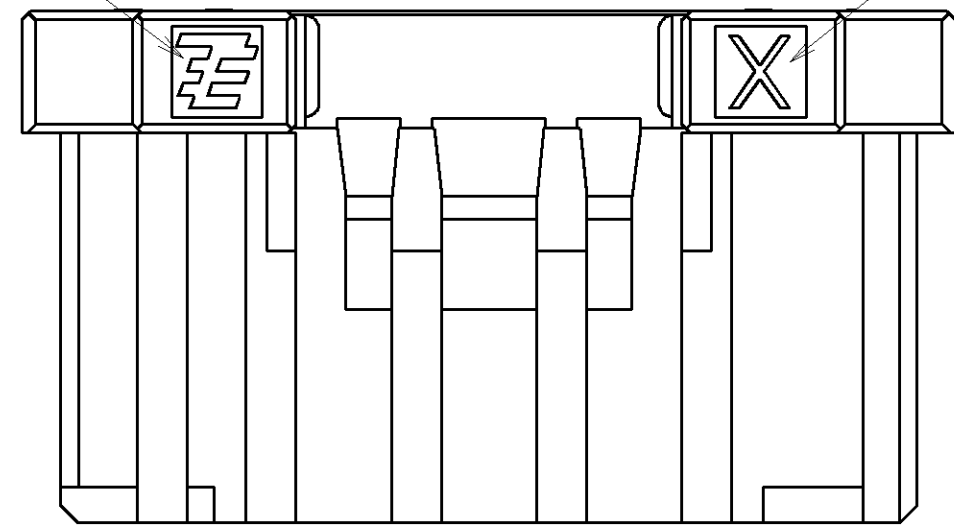
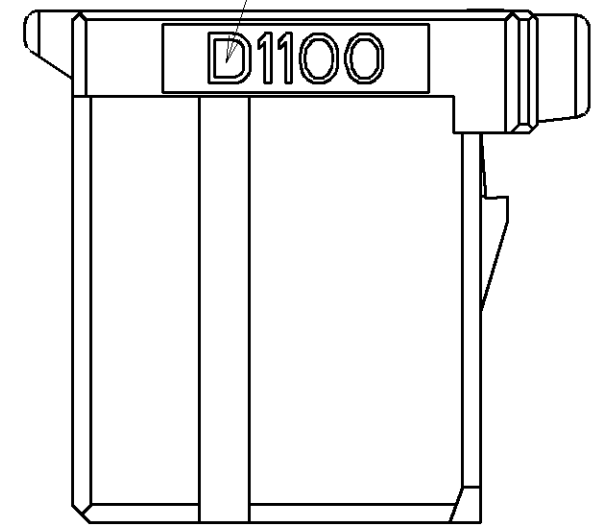


SERIES CODE

LOGO MARK

KEYING MARK

ROW ID



AS SHOWN
18POS(X-KEY) : 1-1827862-9

THIS DRAWING IS A CONTROLLED DOCUMENT FOR TYCO ELECTRONICS CORPORATION. IT IS SUBJECT TO CHANGE AND THE CONTROLLING ENGINEERING ORGANIZATION SHOULD BE CONTACTED FOR THE LATEST REVISION.		DWN	Tyco Electronics Corporation Kawasaki, Japan	
DIMENSIONS: 单位: 精 mm		CHK	NAME 名称	
TOLERANCES UNLESS OTHERWISE SPECIFIED: 一般公差 0 PLC ± 1 PLC ± 2 PLC ± 3 PLC ± 4 PLC ± ANGLES ± FINISH 仕上		APVD	DYNAMIC D1100D 2.0mm PITCH REC HSG 10-20 POS	
MATERIAL 材料		PRODUCT SPEC 製品規格	SIZE	RESTRICTED TO
		APPLICATION SPEC 取付適用規格	CAGE CODE	
		WEIGHT	DRAWING NO. 番号	
		CUSTOMER DRAWING	A200779	
		SCALE 尺度	C-1827862	
			6:1	
			SHEET 3 OF 3	REV C