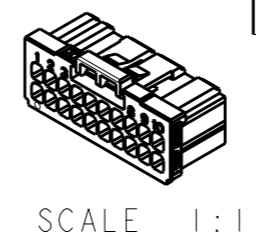
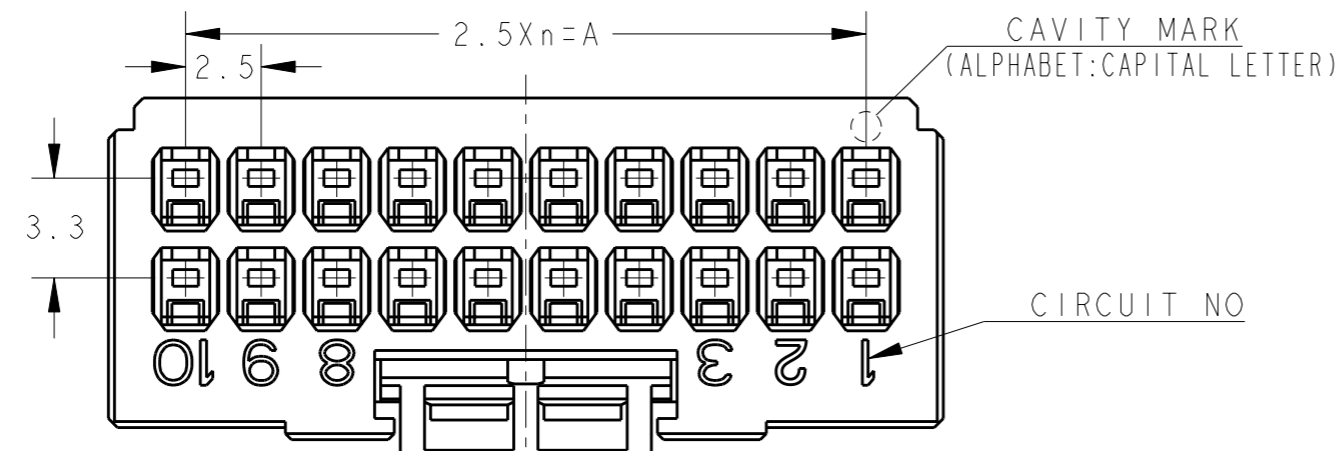


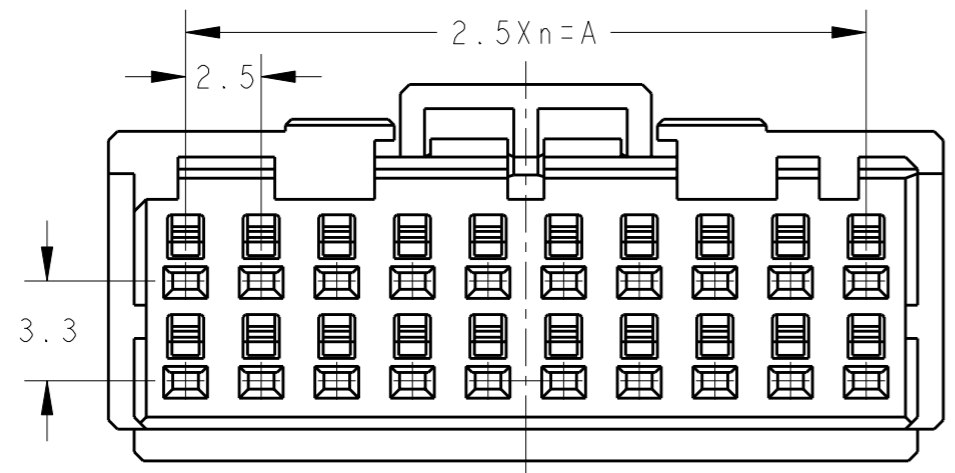
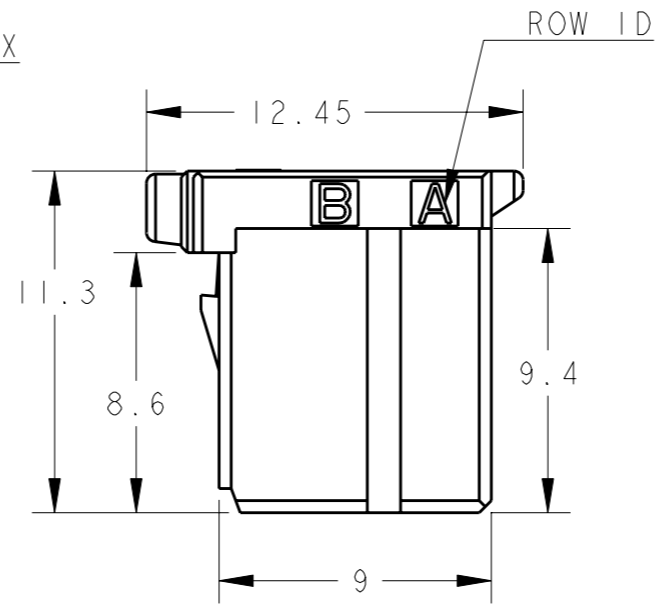
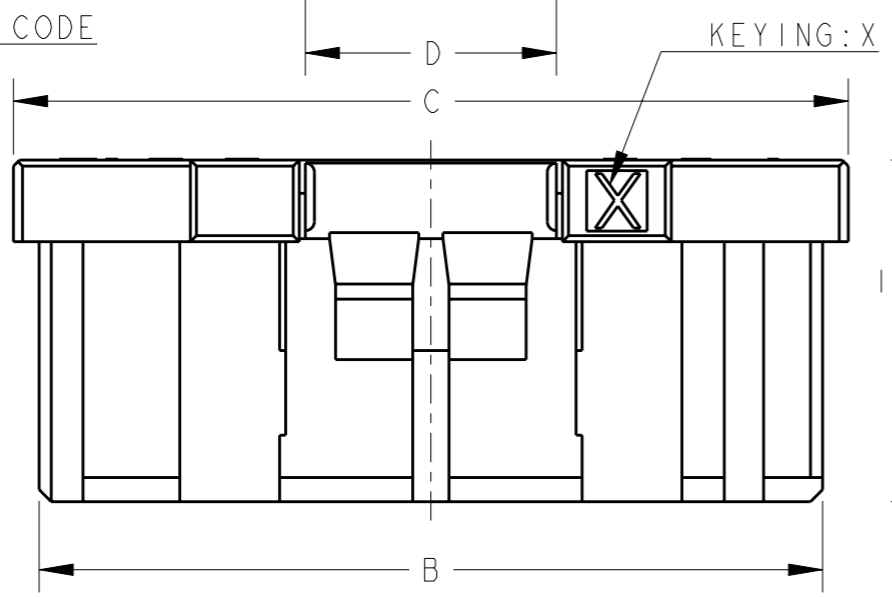
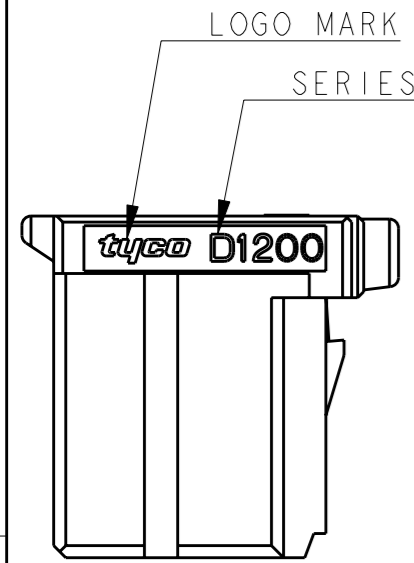
THIS DRAWING IS UNPUBLISHED. RELEASED FOR PUBLICATION
 © COPYRIGHT - ALL RIGHTS RESERVED.

LOC		DIST		REVISIONS				
P	LTR	DESCRIPTION			DATE	DWN	APVD	
J		C1		REVISED PER ECO-11-005030	26MAR2011	RK	HMR	

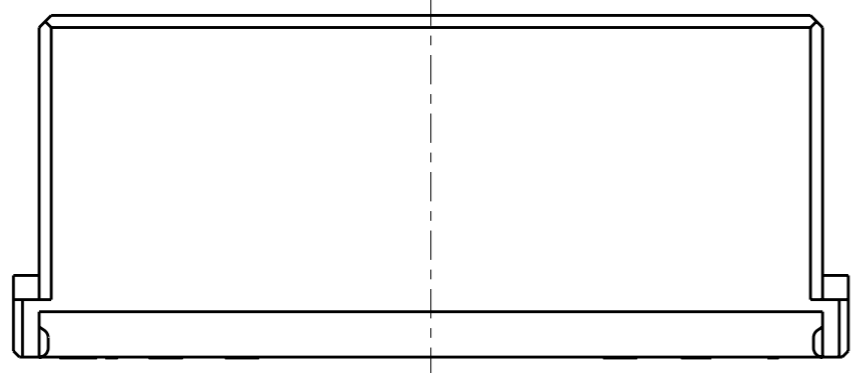


- 1. MATERIAL: GLASS FILED THERMO PLASTIC POLYESTER(94V-0), COLOR:BLACK
- 2. THE SHAPE, SIZE AND POSITION OF THE CHARACTER SHOW THE OUTLINE. THEY DON'T SHOW DETAILS.
- 3. THE KEYING ARRANGEMENT OF "Y" IS SYMMETRIC WITH "X".

- 1. 材料：ガラス入り熱可塑性ポリエステル樹脂（94V-0），色：黒
- 2. 文字の形状、大きさ、および位置については、大略を示すものであり、詳細を示すものではありません。
- 3. Y KEY形状は、X KEY形状と左右対称



20	Y	9	22.5	25.9	27.6	8.3	2-1827864-0
20	X	9	22.5	25.9	27.6	8.3	1-1827864-0
16	Y	7	17.5	20.9	22.6	8.3	2-1827864-8
16	X	7	17.5	20.9	22.6	8.3	1-1827864-8
12	Y	5	12.5	15.9	17.6	8.3	2-1827864-6
12	X	5	12.5	15.9	17.6	8.3	1-1827864-6
10	Y	4	10.0	13.4	15.1	3.3	2-1827864-5
10	X	4	10.0	13.4	15.1	3.3	1-1827864-5
8	Y	3	7.5	10.9	12.6	3.3	2-1827864-4
8	X	3	7.5	10.9	12.6	3.3	1-1827864-4
6	Y	2	5.0	8.4	10.1	3.3	2-1827864-3
6	X	2	5.0	8.4	10.1	3.3	1-1827864-3
4	Y	1	2.5	5.9	7.6	3.1	2-1827864-2
4	X	1	2.5	5.9	7.6	3.1	1-1827864-2
POS	KEY	n	A	B	C	D	PART NO



20POS(X-KEY): 1-1827864-0

THIS DRAWING IS A CONTROLLED DOCUMENT.

DIMENSIONS: 単位: 耗 mm

TOLERANCES UNLESS OTHERWISE SPECIFIED: 一般公差 ±0.3, ±5°

0-PLC	±
1-PLC	±
2-PLC	±
3-PLC	±
4-PLC	±
ANGLES	±

MATERIAL 材料

FINISH 仕上

DWN T. KUDO 23AUG2005
 CHK D. MITSUGI 23AUG2005
 APVD D. MITSUGI 23AUG2005
 PRODUCT SPEC 108-78268, 78298
 APPLICATION SPEC 114-5377
 WEIGHT

STE TE Connectivity

NAME 名称 DYNAMIC D1200D 2.5mm PITCH
 REC HSG
 4-20 POS

SIZE A3 CAGE CODE 00779 DRAWING NO 1827864 RESTRICTED TO

CUSTOMER DRAWING SCALE 尺度 SHEET 1 OF 3 REV C1

THIS DRAWING IS UNPUBLISHED.

RELEASED FOR PUBLICATION

© COPYRIGHT -

ALL RIGHTS RESERVED.

LOC
J

DIST

P

LTR

REVISIONS
変更

DESCRIPTION

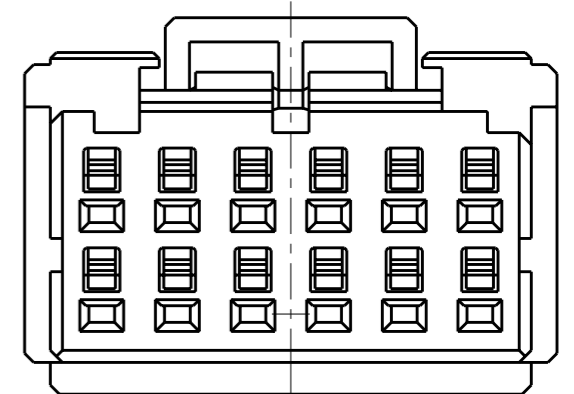
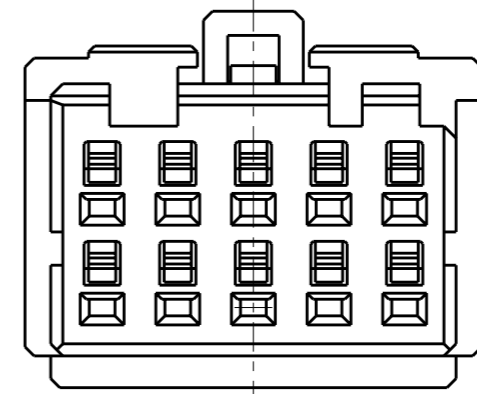
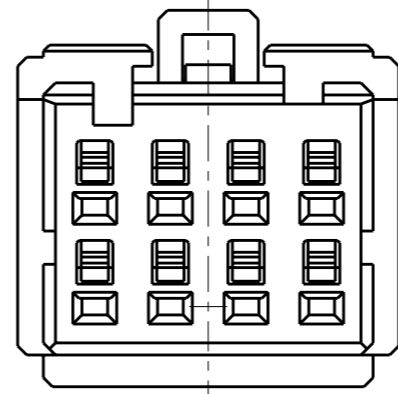
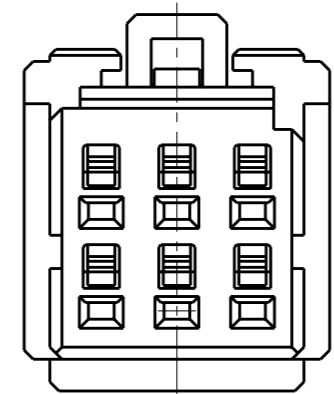
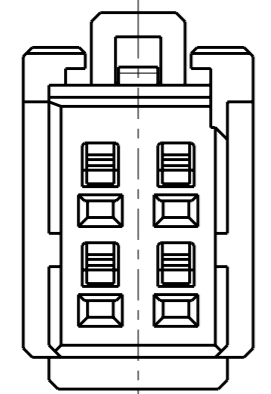
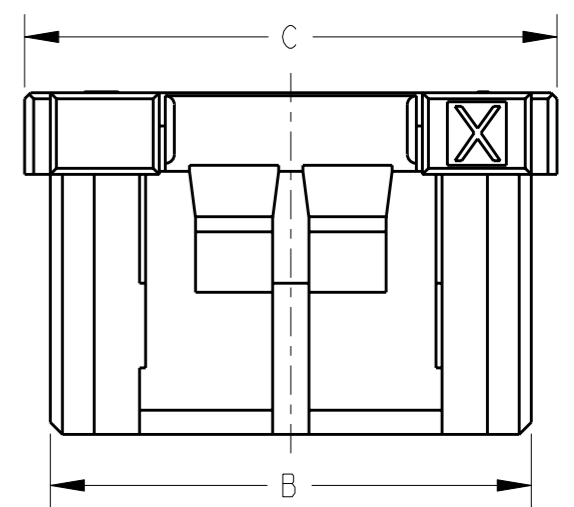
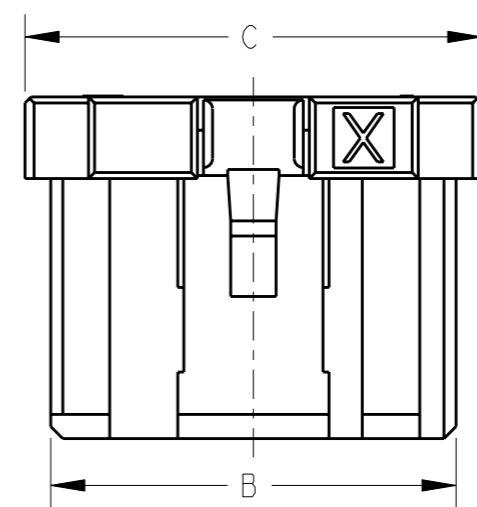
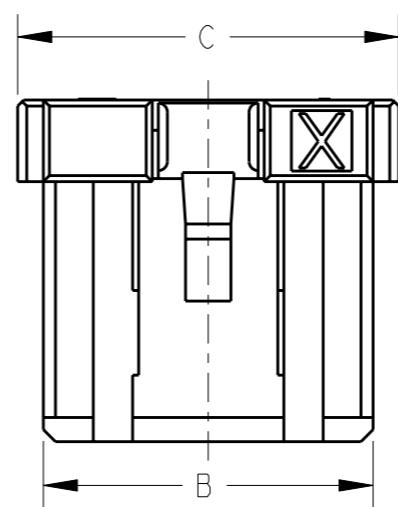
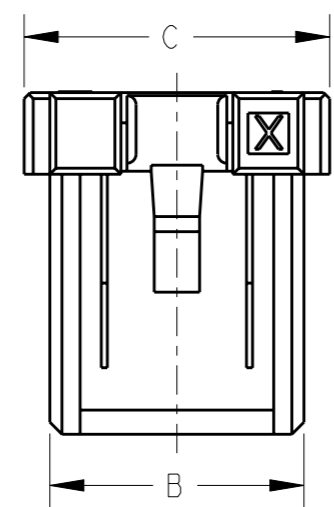
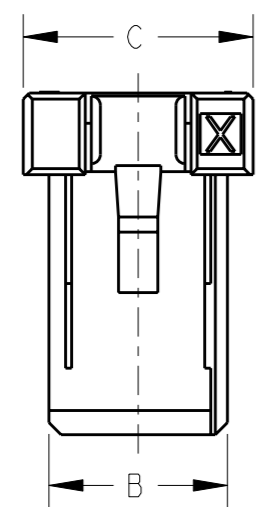
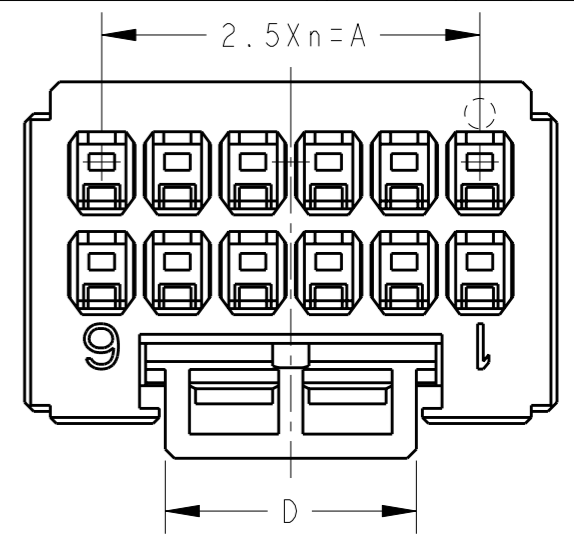
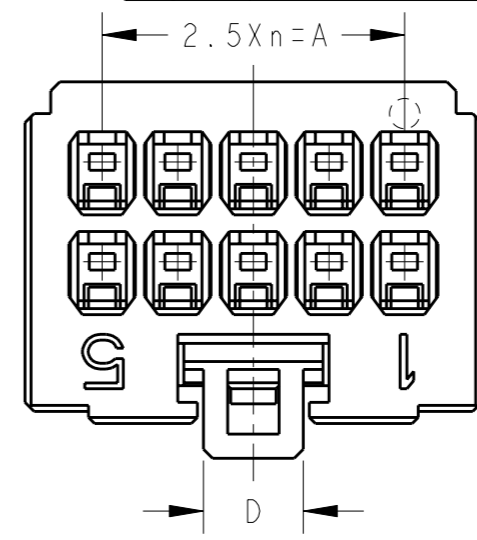
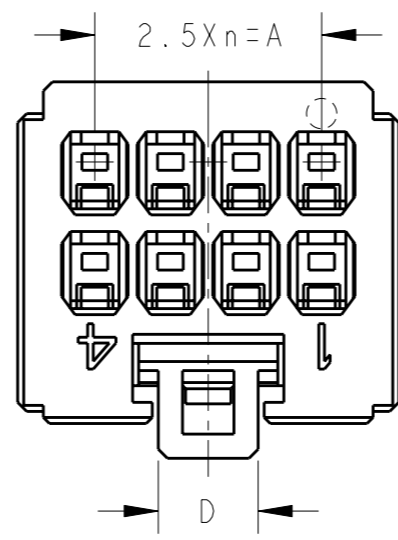
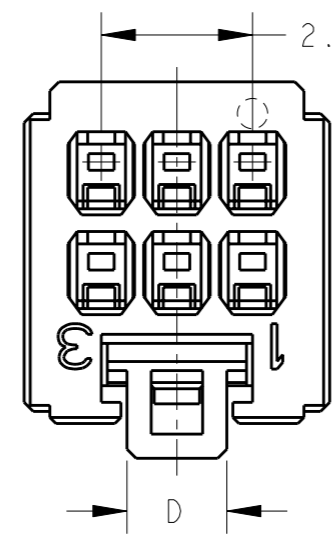
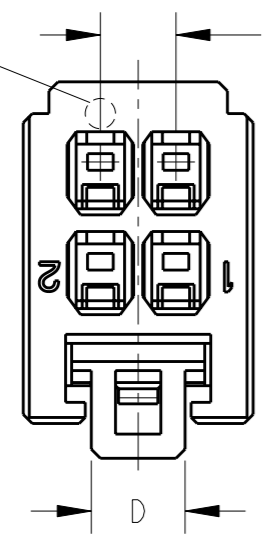
DATE

DWN

APVD

SEE SHEET 1 OF 3

CAVITY MARK ONLY 4POS



4POS(X-KEY): 1-1827864-2

6POS(X-KEY): 1-1827864-3

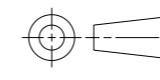
8POS(X-KEY): 1-1827864-4

10POS(X-KEY): 1-1827864-5

12POS(X-KEY): 1-1827864-6

THIS DRAWING IS A CONTROLLED DOCUMENT.

DIMENSIONS:
単位: 珔
mm



TOLERANCES UNLESS OTHERWISE SPECIFIED:

- 一般公差
- 0 PLC ±
- 1 PLC ±
- 2 PLC ±
- 3 PLC ±
- 4 PLC ±
- ANGLES ±
- FINISH 仕上

MATERIAL 材料

DWN T. KUDO 23AUG2005

CHK D. MITSUGI 23AUG2005

APVD D. MITSUGI 23AUG2005

PRODUCT SPEC
製品規格
108-78268, 78298

APPLICATION SPEC
取付適用規格
114-5377

WEIGHT

CUSTOMER DRAWING

NAME 名称

DYNAMIC DI200D 2.5mm PITCH
REC HSG
4-20 POS

SIZE

CAGE CODE

DRAWING NO 番号

A3 00779 C-1827864

RESTRICTED TO

SCALE 尺度

4:1

SHEET

2

OF

3

REV C1

THIS DRAWING IS UNPUBLISHED.

RELEASED FOR PUBLICATION

© COPYRIGHT -

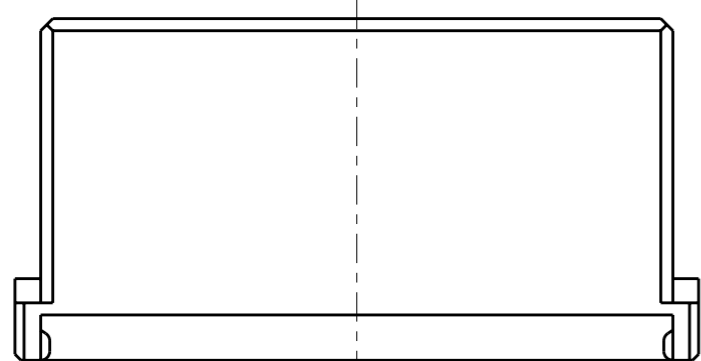
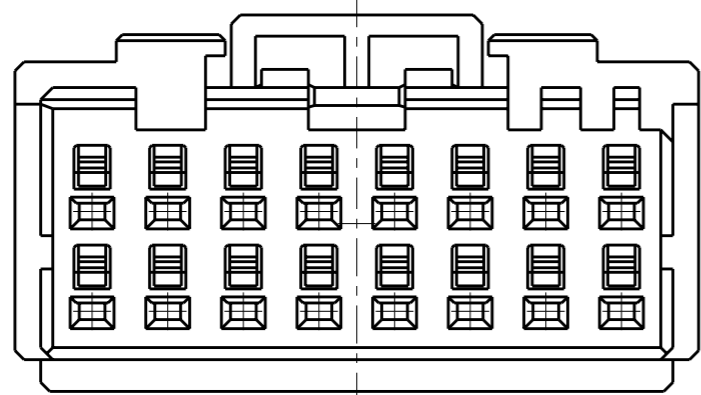
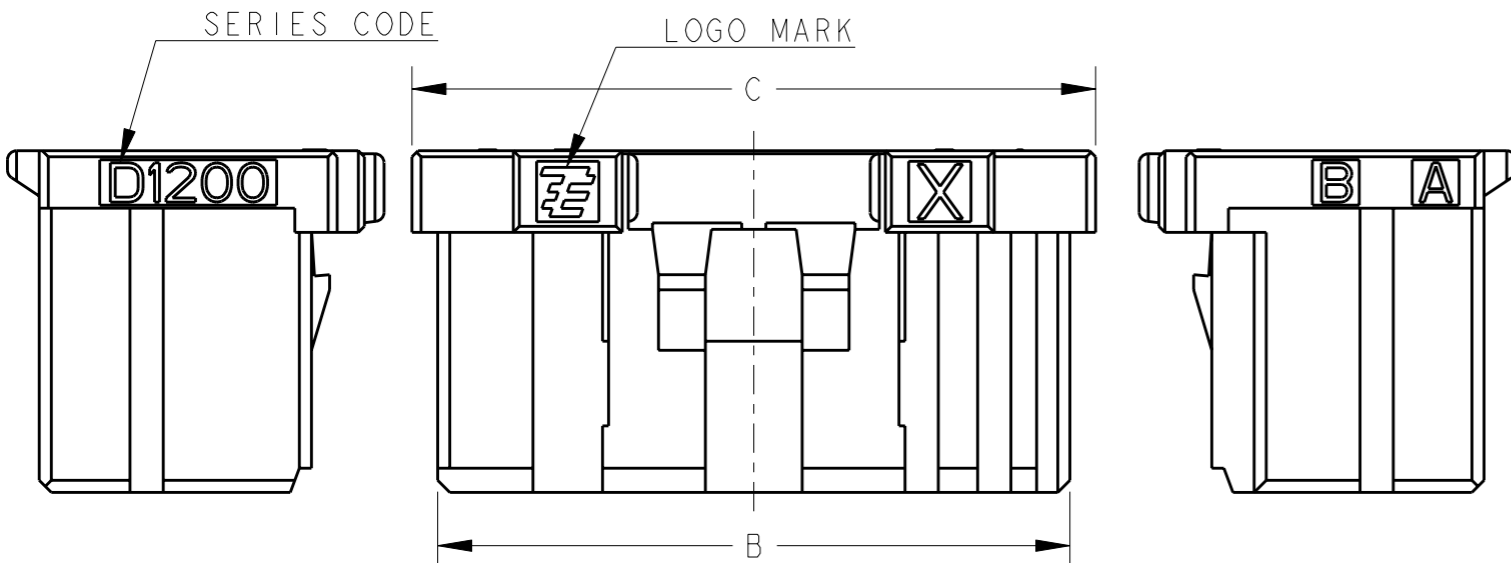
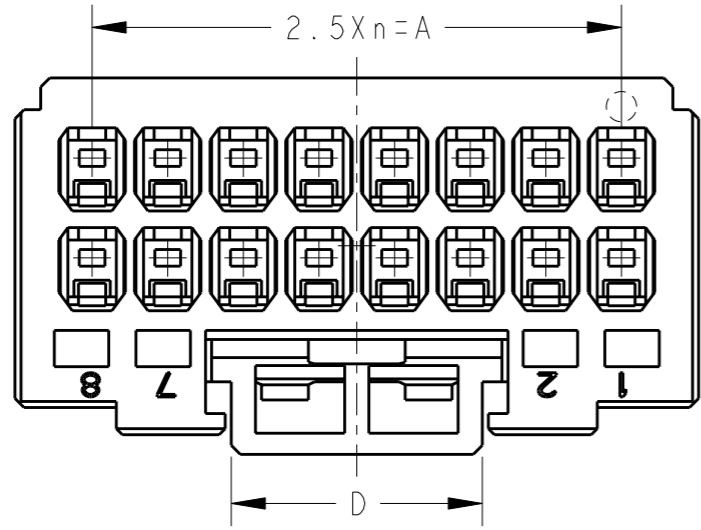
ALL RIGHTS RESERVED.

LOC
J

DIST

REVISIONS
変更

P	LTR	DESCRIPTION	DATE	DWN	APVD
-	-	SEE SHEET 1	-	-	-



16POS(X-KEY): 1-1827864-8

THIS DRAWING IS A CONTROLLED DOCUMENT.

DIMENSIONS: 単位: 耗 mm		TOLERANCES UNLESS OTHERWISE SPECIFIED:	
		一般公差	
		0 PLC	±
		1 PLC	±
		2 PLC	±
		3 PLC	±
MATERIAL 材料		FINISH 仕上	

DWN	T. KUDO	23AUG2005
CHK	D. MITSUGI	23AUG2005
APVD	D. MITSUGI	23AUG2005
PRODUCT SPEC	108-78268, 78298	
APPLICATION SPEC	114-5377	
WEIGHT		
CUSTOMER DRAWING		

		TE Connectivity	
		NAME 名称	
DYNAMIC D1200D 2.5mm PITCH REC HSG 4-20 POS			
SIZE	CAGE CODE	DRAWING NO 番号	RESTRICTED TO
A3	00779	C-1827864	
SCALE 尺度		SHEET 3	OF 3
		REV C	I