

4

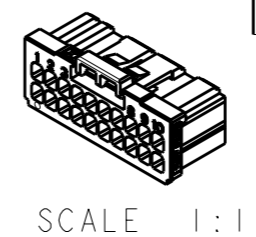
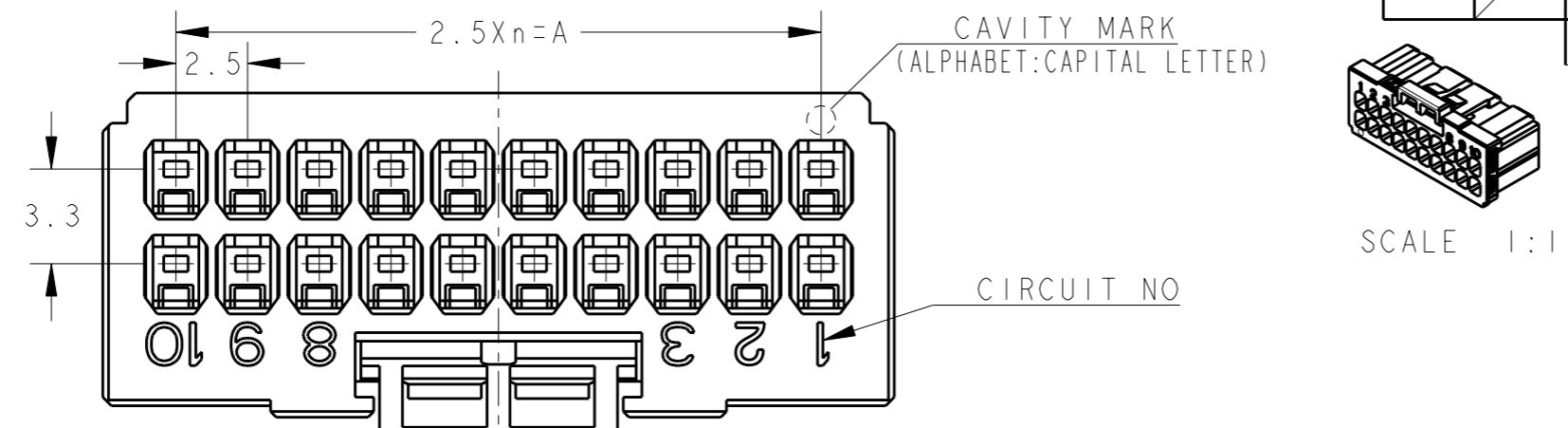
3

2

1

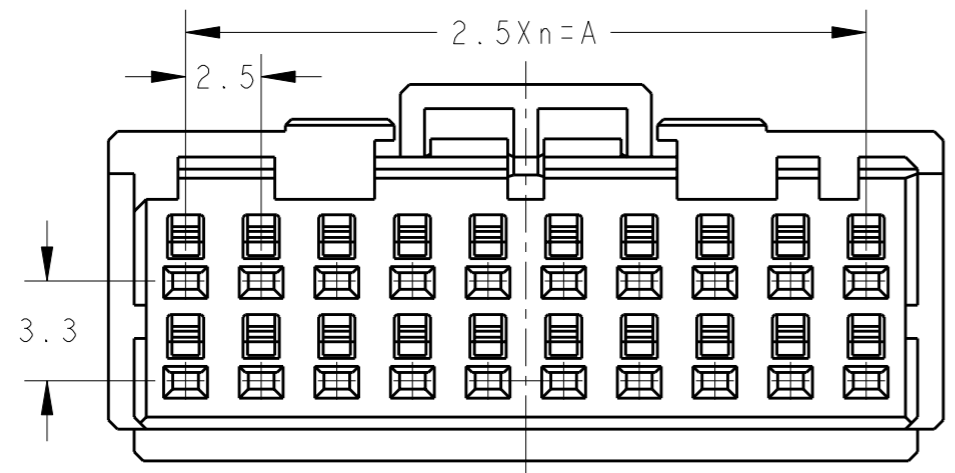
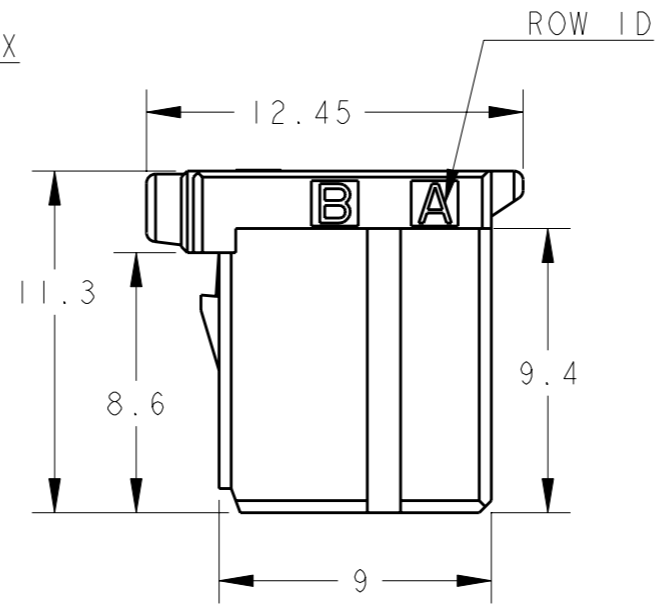
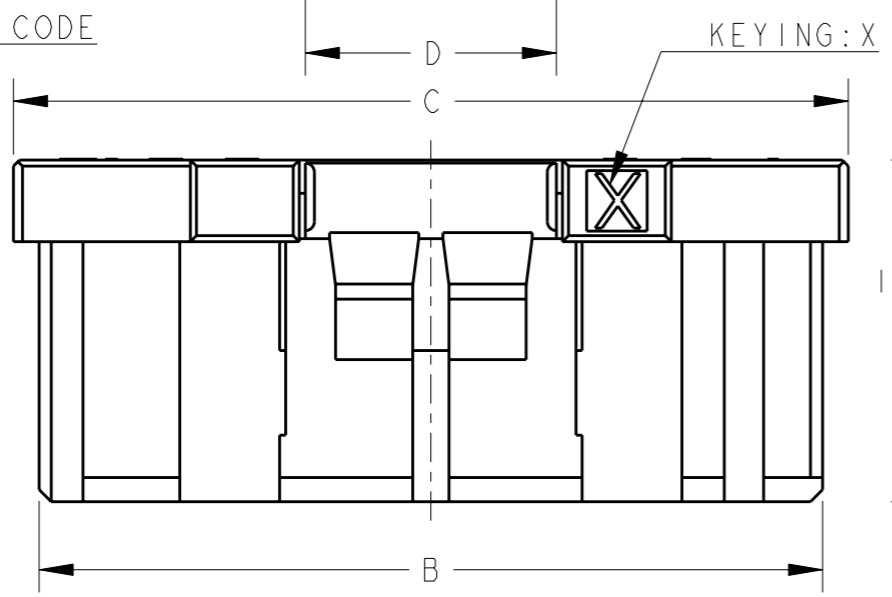
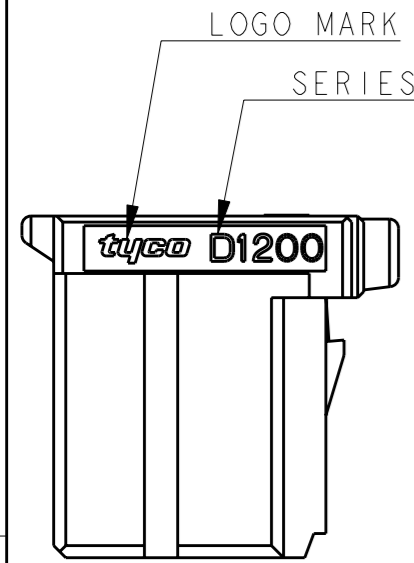
THIS DRAWING IS UNPUBLISHED. RELEASED FOR PUBLICATION
 © COPYRIGHT - ALL RIGHTS RESERVED.

LOC		DIST		REVISIONS				
P	LTR	DESCRIPTION			DATE	DWN	APVD	
J		C1		REVISED PER ECO-11-005030	26MAR2011	RK	HMR	

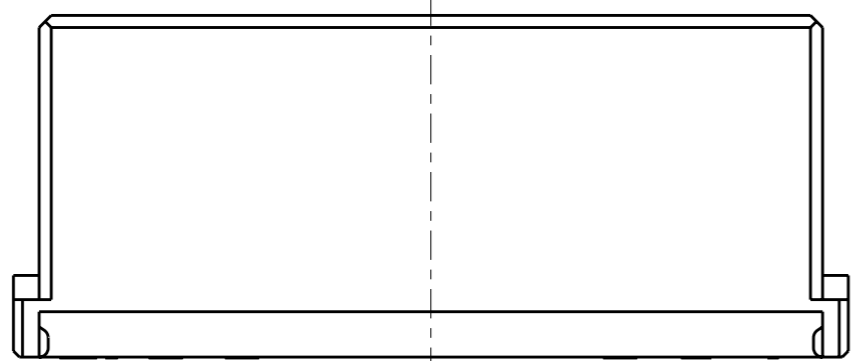


- 1. MATERIAL: GLASS FILED THERMO PLASTIC POLYESTER(94V-0), COLOR:BLACK
- 2. THE SHAPE, SIZE AND POSITION OF THE CHARACTER SHOW THE OUTLINE. THEY DON'T SHOW DETAILS.
- 3. THE KEYING ARRANGEMENT OF "Y" IS SYMMETRIC WITH "X".

- 1. 材料：ガラス入り熱可塑性ポリエステル樹脂（94V-0），色：黒
- 2. 文字の形状、大きさ、および位置については、大略を示すものであり、詳細を示すものではありません。
- 3. Y KEY形状は、X KEY形状と左右対称



20	Y	9	22.5	25.9	27.6	8.3	2-1827864-0
20	X	9	22.5	25.9	27.6	8.3	1-1827864-0
16	Y	7	17.5	20.9	22.6	8.3	2-1827864-8
16	X	7	17.5	20.9	22.6	8.3	1-1827864-8
12	Y	5	12.5	15.9	17.6	8.3	2-1827864-6
12	X	5	12.5	15.9	17.6	8.3	1-1827864-6
10	Y	4	10.0	13.4	15.1	3.3	2-1827864-5
10	X	4	10.0	13.4	15.1	3.3	1-1827864-5
8	Y	3	7.5	10.9	12.6	3.3	2-1827864-4
8	X	3	7.5	10.9	12.6	3.3	1-1827864-4
6	Y	2	5.0	8.4	10.1	3.3	2-1827864-3
6	X	2	5.0	8.4	10.1	3.3	1-1827864-3
4	Y	1	2.5	5.9	7.6	3.1	2-1827864-2
4	X	1	2.5	5.9	7.6	3.1	1-1827864-2
POS	KEY	n	A	B	C	D	PART NO



20POS(X-KEY): 1-1827864-0

THIS DRAWING IS A CONTROLLED DOCUMENT.		DWN	T. KUDO	23AUG2005
DIMENSIONS: 単位: 耗 mm		CHK	D. MITSUGI	23AUG2005
TOLERANCES UNLESS OTHERWISE SPECIFIED: 一般公差 ±0.3, ±5°		APVD	D. MITSUGI	23AUG2005
0-PLC ±		PRODUCT SPEC	108-78268, 78298	
1-PLC ±		APPLICATION SPEC	114-5377	
2-PLC ±		WEIGHT		
3-PLC ±		CUSTOMER DRAWING		
4-PLC ±		SCALE 1:1 SHEET 1 OF 3 REV C1		
ANGLES ±				
FINISH 仕上				
MATERIAL 材料				

STE TE Connectivity

NAME 名称: DYNAMIC D1200D 2.5mm PITCH REC HSG 4-20 POS

SIZE: A3 CAGE CODE: 00779 DRAWING NO: 1827864 RESTRICTED TO: []

THIS DRAWING IS UNPUBLISHED.

RELEASED FOR PUBLICATION

© COPYRIGHT -

ALL RIGHTS RESERVED.

LOC J

DIST

P

LTR

REVISIONS
変更

DESCRIPTION

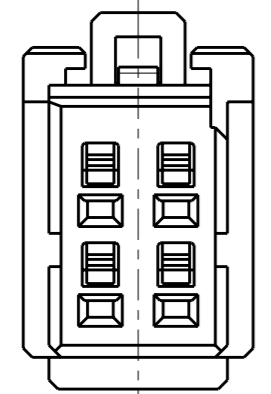
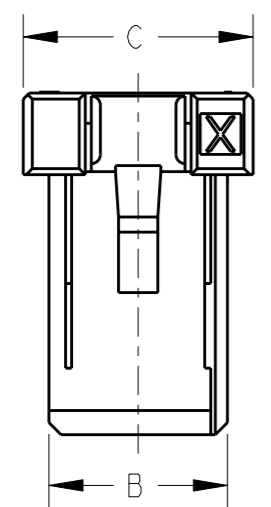
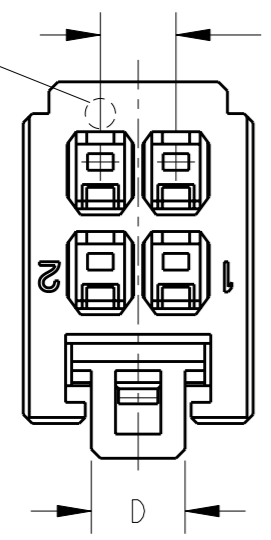
DATE

DWN

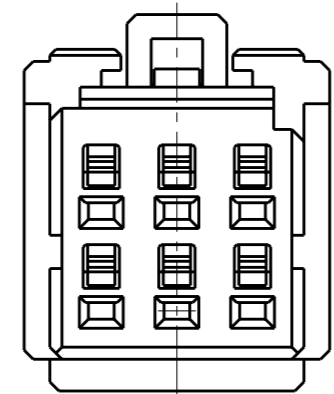
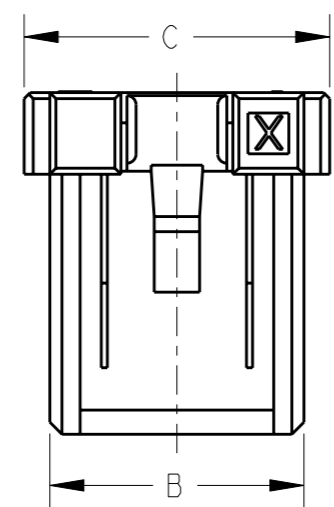
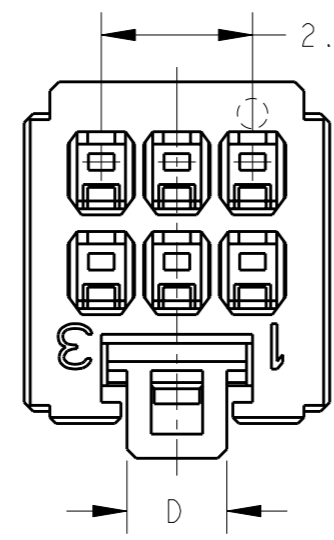
APVD

SEE SHEET 1 OF 3

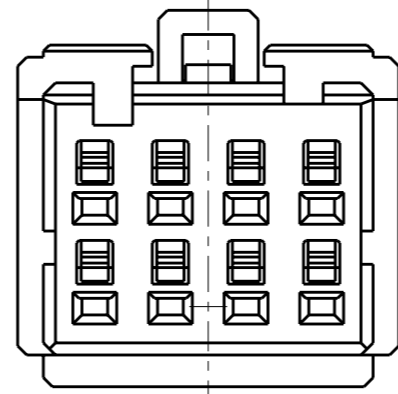
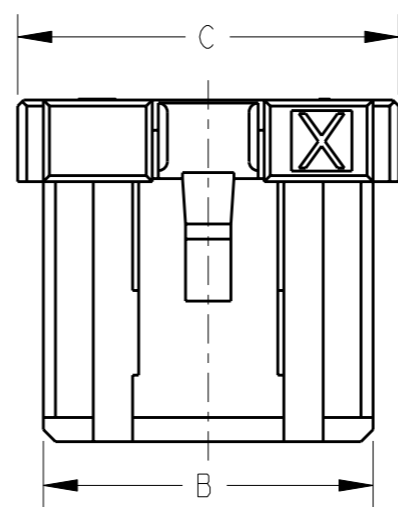
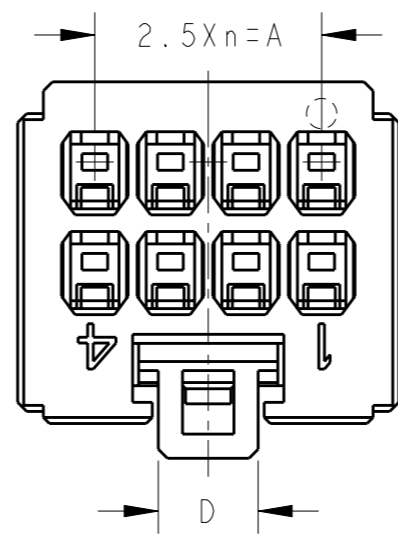
CAVITY MARK ONLY 4POS



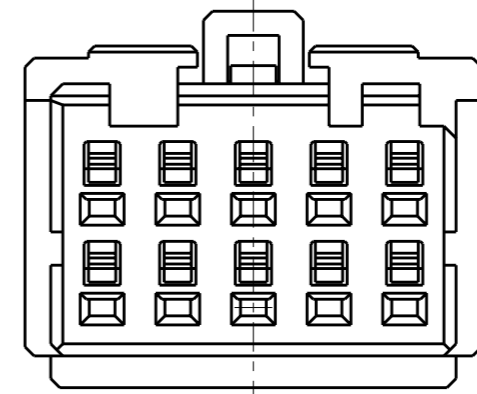
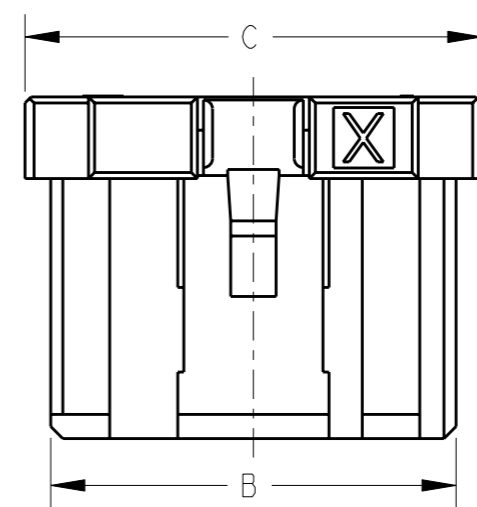
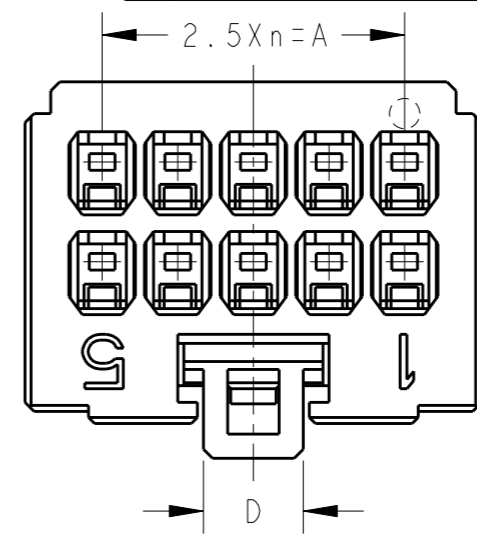
4POS(X-KEY): 1-1827864-2



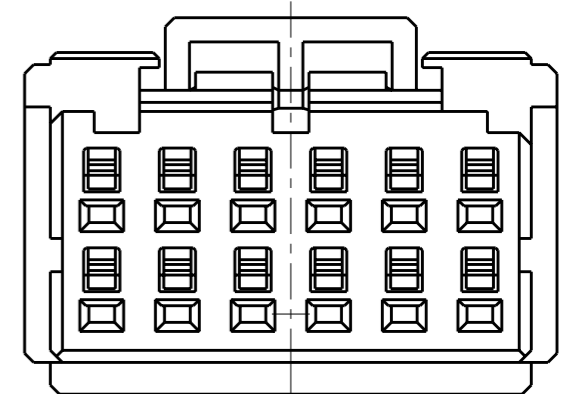
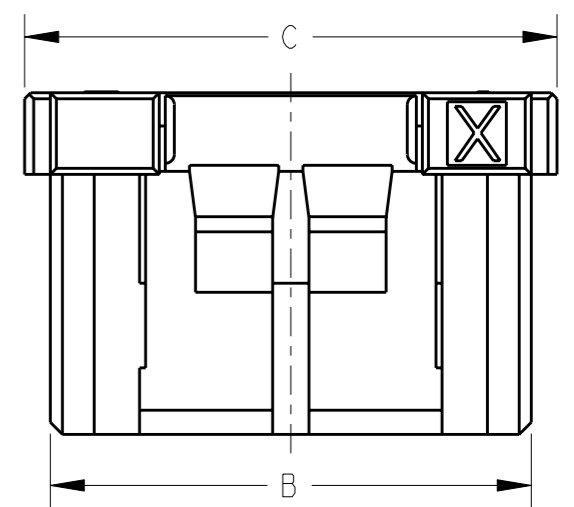
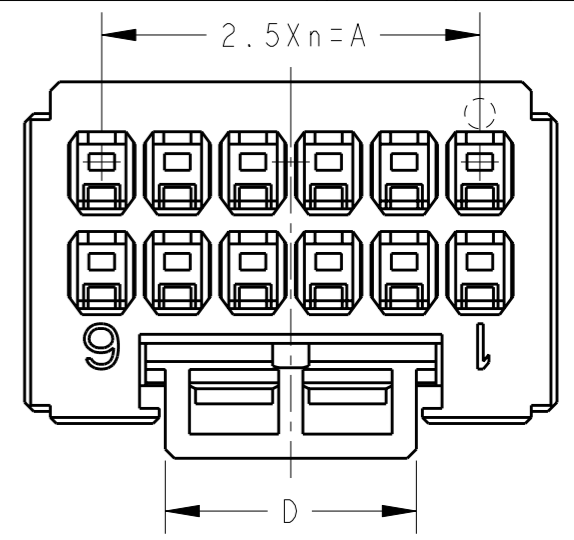
6POS(X-KEY): 1-1827864-3



8POS(X-KEY): 1-1827864-4



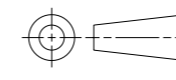
10POS(X-KEY): 1-1827864-5



12POS(X-KEY): 1-1827864-6

THIS DRAWING IS A CONTROLLED DOCUMENT.

DIMENSIONS:
単位: 珔
mm



TOLERANCES UNLESS OTHERWISE SPECIFIED:

- 一般公差
- 0 PLC ±
- 1 PLC ±
- 2 PLC ±
- 3 PLC ±
- 4 PLC ±
- ANGLES ±
- FINISH 仕上

MATERIAL 材料

DWN T. KUDO 23AUG2005

CHK D. MITSUGI 23AUG2005

APVD D. MITSUGI 23AUG2005

PRODUCT SPEC
製品規格
108-78268, 78298

APPLICATION SPEC
取付適用規格
114-5377

WEIGHT

CUSTOMER DRAWING

NAME 名称

DYNAMIC DI200D 2.5mm PITCH
REC HSG
4-20 POS

SIZE

CAGE CODE

DRAWING NO
番号

A3 00779 C-1827864

RESTRICTED TO

SCALE 尺度

4:1

SHEET

2

OF

3

REV C1

THIS DRAWING IS UNPUBLISHED.

RELEASED FOR PUBLICATION

© COPYRIGHT -

ALL RIGHTS RESERVED.

LOC
J

DIST

REVISIONS
変更

P

LTR

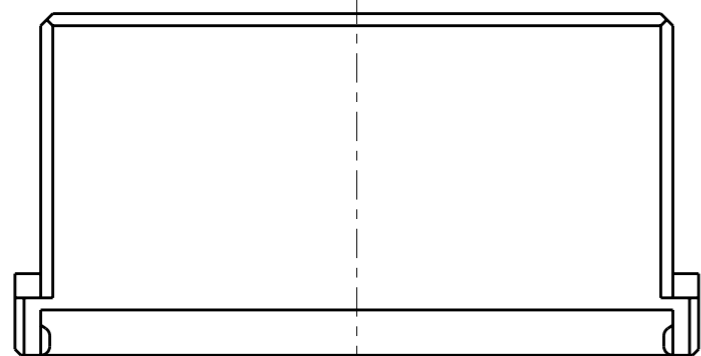
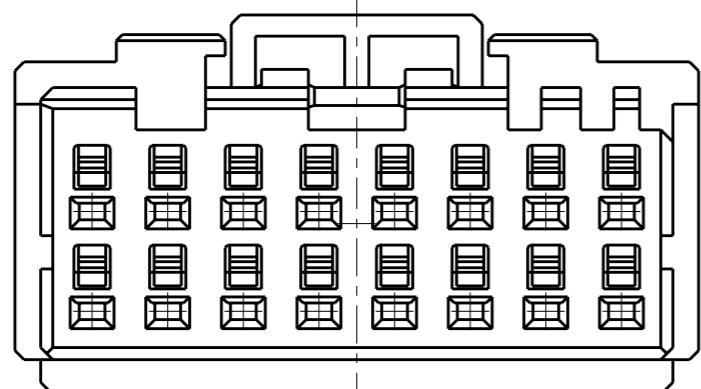
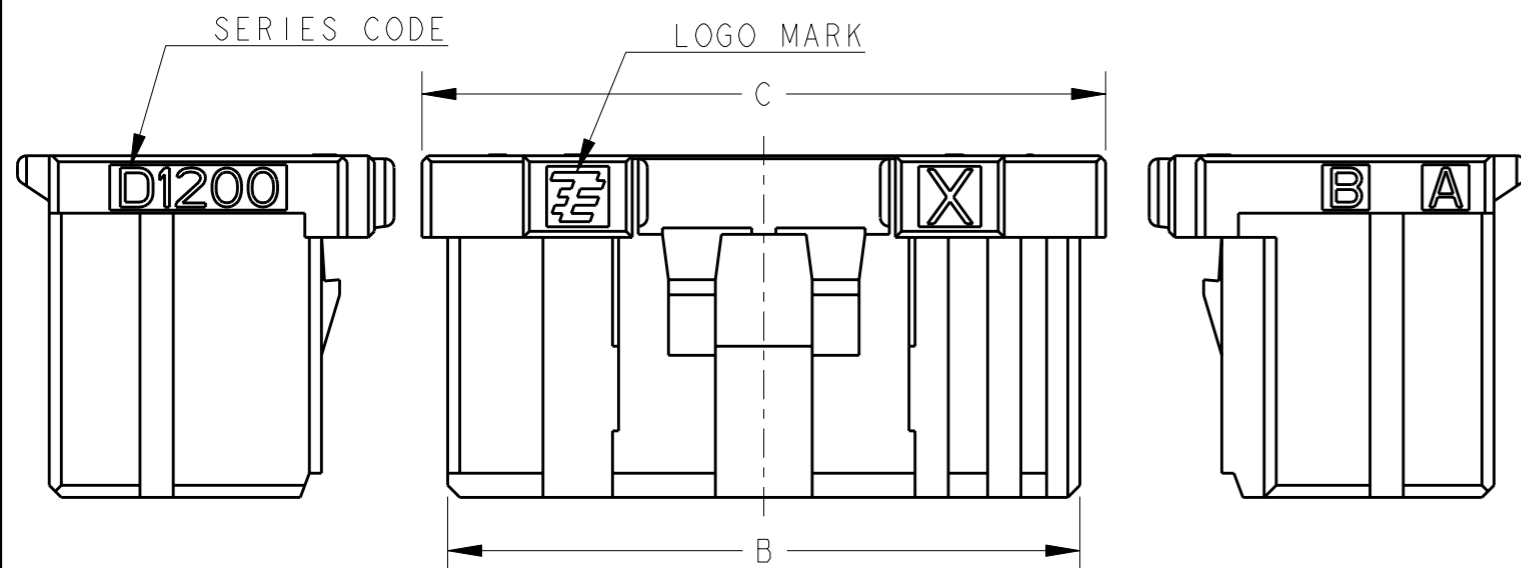
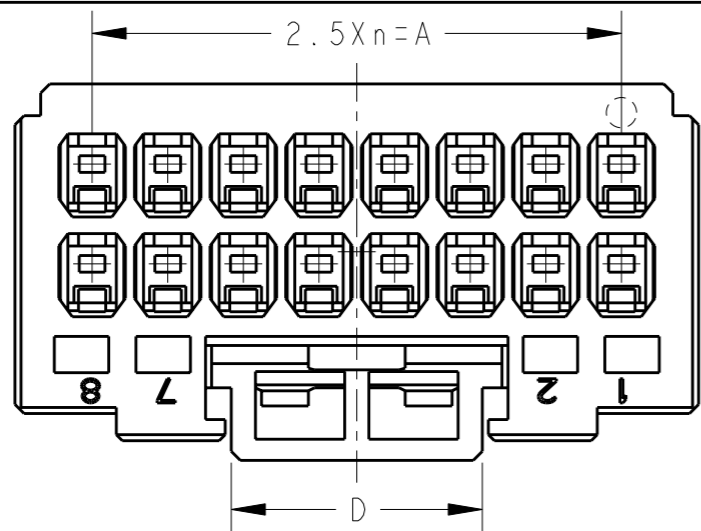
DESCRIPTION

DATE

DWN

APVD

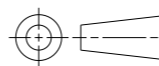
SEE SHEET 1



16POS(X-KEY): 1-1827864-8

THIS DRAWING IS A CONTROLLED DOCUMENT.

DIMENSIONS:
単位: 耗
mm



TOLERANCES UNLESS OTHERWISE SPECIFIED:

- 一般公差
- 0 PLC ±
- 1 PLC ±
- 2 PLC ±
- 3 PLC ±
- 4 PLC ±
- ANGLES ±

MATERIAL
材料

FINISH
仕上

DWN T. KUDO 23AUG2005

CHK D. MITSUGI 23AUG2005

APVD D. MITSUGI 23AUG2005

PRODUCT SPEC
製品規格
108-78268, 78298

APPLICATION SPEC
取付適用規格
114-5377

WEIGHT

CUSTOMER DRAWING



NAME
名称
DYNAMIC D1200D 2.5mm PITCH
REC HSG
4-20 POS

SIZE	CAGE CODE	DRAWING NO 番号	RESTRICTED TO
A3	00779	C-1827864	

SCALE
尺度
SHEET 3 OF 3
REV C1