

THIS DRAWING IS UNPUBLISHED.

RELEASED FOR PUBLICATION

2005

© COPYRIGHT 2005

BY TYCO ELECTRONICS CORPORATION. ALL INTERNATIONAL RIGHTS RESERVED.

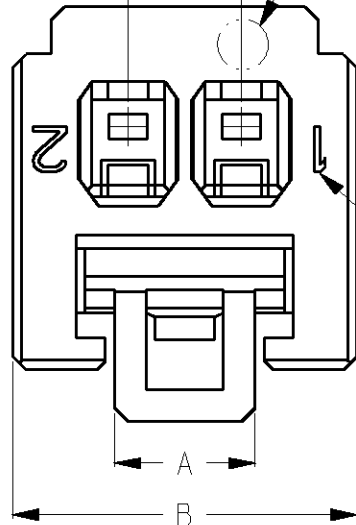
LOC  
J

DIST

REVISIONS

P	LTR	DESCRIPTION	DATE	DWN	APVD
	B	REVISED PER ECR-10-007257	20APR2010	HMR	T.M

2.5Xn=C  
CAVITY MARK  
(ALPHABET:CAPITAL LETTER)



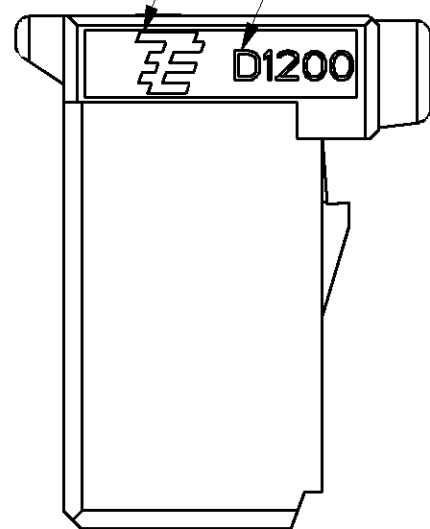
CIRCUIT NO.

A

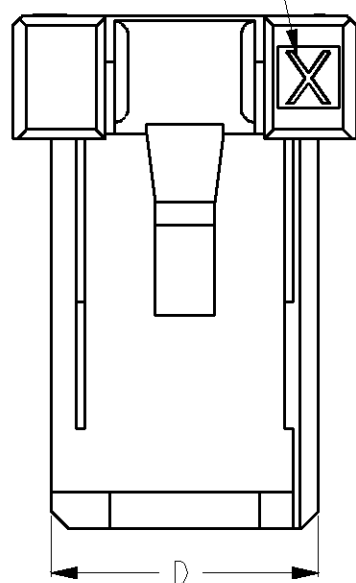
B

LOGO MARK

SERIES CODE

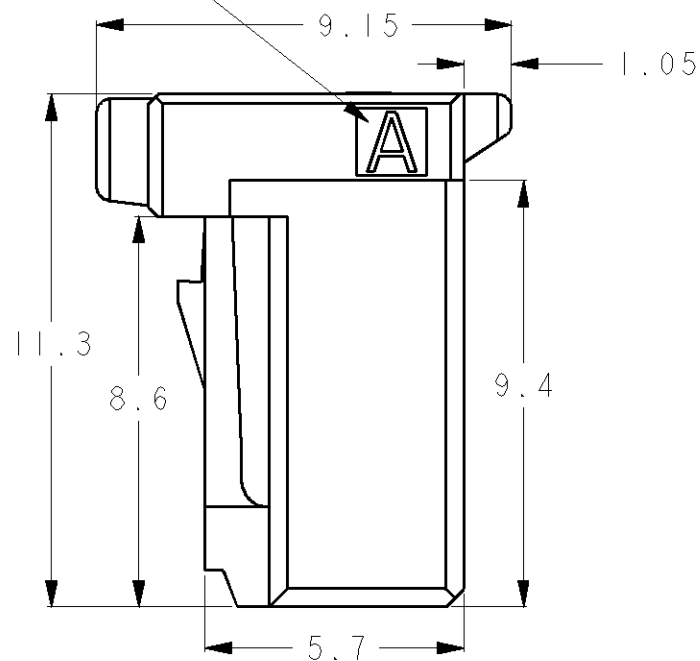


KEYING : X



D

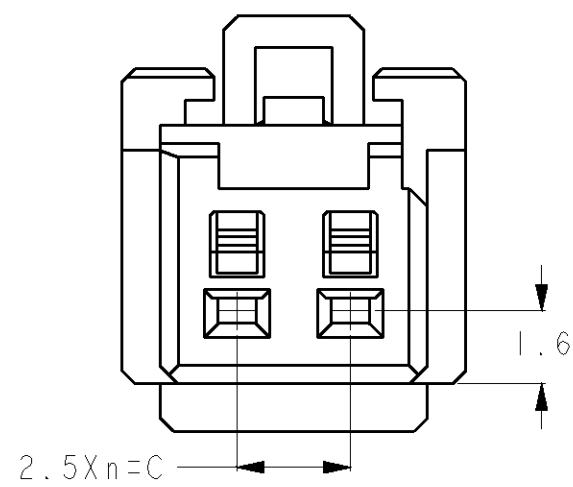
ROW ID



1. MATERIAL: GLASS FILLED THERMO PLASTIC POLYESTER(94V-0), COLOR: BLACK  
 2. THE SHAPE, SIZE AND POSITION OF THE CHARACTER SHOW THE OUTLINE. THEY DON'T SHOW DETAILS.

1. 材料: ガラス入り熱可塑性ポリエステル樹脂(94V-0)、色: 黒  
 2. 文字の形状、大きさ、および位置については、大略を示すものであり、詳細を示すものではありません。

2	1	3.1	7.6	2.5	5.9	1-1871465-2
POS.	n	A	B	C	D	PART No.



2P: 1-1871465-2

THIS DRAWING IS A CONTROLLED DOCUMENT FOR TYCO ELECTRONICS CORPORATION. IT IS SUBJECT TO CHANGE AND THE CONTROLLING ENGINEERING ORGANIZATION SHOULD BE CONTACTED FOR THE LATEST REVISION.

DIMENSIONS: 単位: 概 mm		TOLERANCES UNLESS OTHERWISE SPECIFIED: 一般公差 ±0.3, ±3°	
0-PLC ±		1-PLC ±	
2-PLC ±		3-PLC ±	
4-PLC ±		ANGLES ±	
MATERIAL 材料		FINISH 仕上	

DWN	20JUN2005
M. MAEBASHI	
CHK	20JUN2005
T. KUDO	
APVD	31AUG2005
D. MITSUGI	
PRODUCT SPEC	108-78268
製品規格	
APPLICATION SPEC	114-5377
取付適用規格	
WEIGHT	
CUSTOMER DRAWING	

		Tyco Electronics Corporation Kawasaki, Japan	
NAME 名称		DYNAMIC D1200S 2.5mmPITCH REC HSG 2POS	
SIZE	CAGE CODE	DRAWING NO 番号	RESTRICTED TO
A3	00779	C=1871465	
SCALE 尺度		SHEET	OF
6:1		1	REV B