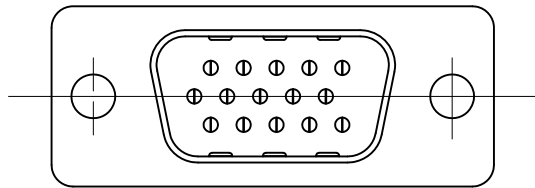
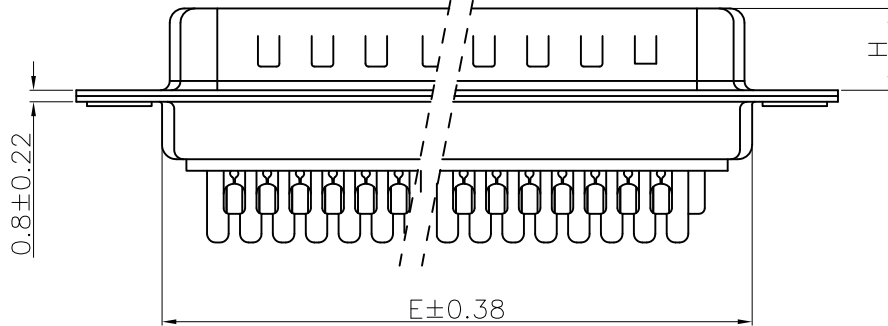


FOR 26/44/62P



FOR 15P

POS.	PART NO.	A	B	C	D	E	H
15	10090769-P15*ALF	30.81	24.99	16.92	2.29	19.10	5.90 <sup>+0.25</sup> <sub>0</sub>
26	10090769-P26*ALF	39.24	33.32	25.25	2.29	27.75	5.90 <sup>+0.25</sup> <sub>0</sub>
44	10090769-P44*ALF	53.04	47.04	38.96	2.29	41.30	5.70 <sup>+0.25</sup> <sub>0</sub>
62	10090769-P62*ALF	69.32	63.50	55.42	2.41	57.40	5.70 <sup>+0.25</sup> <sub>0</sub>

REMARK:

1. CHARACTERISTICS:

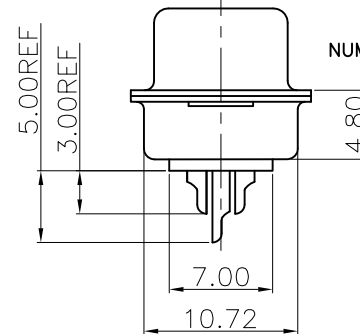
RATED VOLTAGE: 250V  
 RATED CURRENT: 2.5AMP  
 CONTACT RESISTANCE: 25mohms MAX. INITIAL,  
 40mohms MAX. AFTER.  
 INSULATION RESISTANCE: 5000Mohms MIN. at 500V DC  
 DIELECTRIC STRENGTH: 750VRMS  
 OPERATING TEMPERATURE RANGE: -55°C ~105°C  
 INSERTION/EXTRACTION FORCE PER CONTACT: 5N Max./0.2N Min.  
 MATING/UNMATING CYCLES: 50MATINGS MIN FOR GOLD-FLASH  
 500MATINGS MIN FOR 30u" GOLD.

2. MATERIAL:

INSULATORS: THERMOPLASTIC G. F(UL94V-0) BLACK  
 CONTACTS: COPPER ALLOY, GOLD(G/F or 30u") TOP OVER CONTACT  
 AREA, 100u" Min MATTE TIN TOP OVER SOLDER AREA,  
 50u" Min NICKEL UNDER PLATE.  
 SHELL: CARBON STEEL, 100u" Min NICKEL TOP OVER,  
 50u" Min COPPER UNDER PLATE.

3. PART NUMBER DESCRIPTION: 10090769-P XX X X LF

SERIES NO.   
 TYPE:   
 P: PIN (MALE)  
 NUMBER OF CONTACTS:  
 15: 15-PIN  
 26: 26-PIN  
 44: 44-PIN  
 62: 62-PIN  
 LF: ROHS COMPLIANT  
 FLANGE MOUNTING OPTION  
 A: STANDARD HOLE  
 CONTACT FINISH  
 4:GOLD FLASH  
 6:30u" GOLD



mat'l. code				tolerances unless otherwise specified		CUSTOMER COPY		FCI	
ltr	ecn no	dr	date	linear	.X ± 0.38	projection	title		
A	T09-1156	J.H	12/10/09		.XX ± 0.25		H/D D-SUB MALE SOLDER BUCKET		
				angles	.XXX ± 0.10		product family	D-SUB	
				dr	0° ±2°	size	dwg no		
				enr		scale	10090769		
				chr	JASON HSU 12/10/09	1:1	code		
				appd	GARY HSIEH 12/10/09		TWN		
					JOSEPH HSIA 12/10/09		sheet		
sheet index	revision sheet	A	A				1 of 2		
		1	2						

Tous droits strictement réservés. Reproduction ou communication a des tiers interdite sous quelque forme que ce soit sans autorisation écrite du propriétaire. Propriete de c FCI. Droite de reproduction FCI.

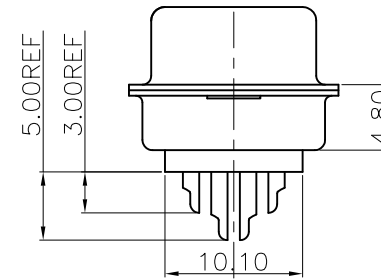
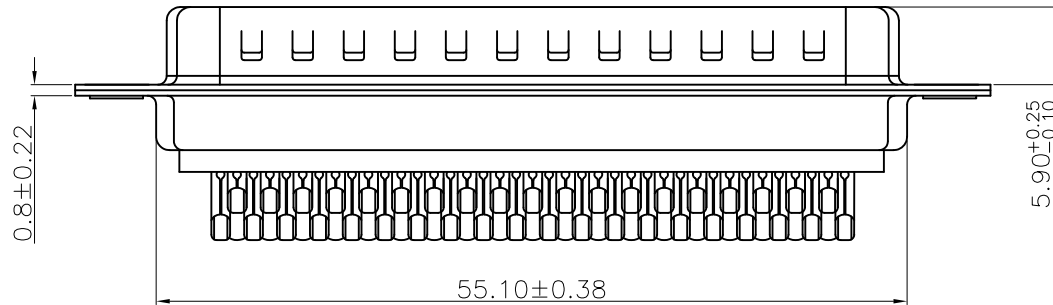
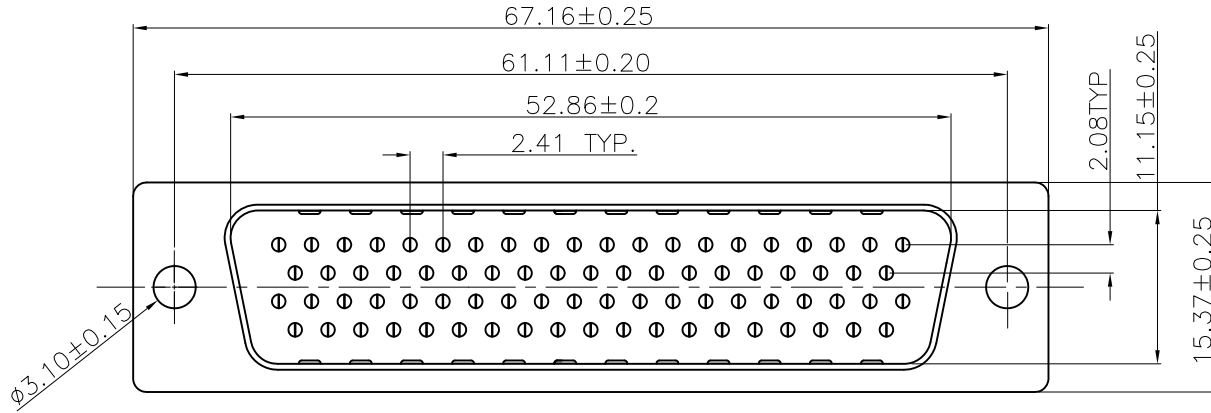


All rights strictly reserved. Reproduction or issue to third parties in any form whatever is not permitted without written authority from the proprietor. Property of FCI. Copyright FCI.

1 | 2

3

4



REMARK:

1. CHARACTERISTICS:

RATED VOLTAGE: 250V  
 RATED CURRENT: 2.5AMP  
 CONTACT RESISTANCE: 35mohms MAX. INITIAL,  
 50mohms MAX. AFTER.  
 INSULATION RESISTANCE: 5000Mohms MIN. at 500V DC  
 DIELECTRIC STRENGTH: 750VRMS  
 OPERATING TEMPERATURE RANGE: -55°C ~105°C  
 INSERTION/EXTRACTION FORCE PER CONTACT: 5N Max. /0.2N Min.  
 MATING/UNMATING CYCLES: 50MATINGS MIN FOR GOLD-FLASH  
 500MATINGS MIN FOR 30u" GOLD.

2. MATERIAL:

INSULATORS: THERMOPLASTIC G. F(UL94V-0) BLACK  
 CONTACTS: COPPER ALLOY, GOLD(G/F or 30U") TOP OVER CONTACT  
 AREA, 100u" Min MATTE TIN TOP OVER SOLDER AREA,  
 50u" Min NICKEL UNDER PLATE.  
 SHELL: CARBON STEEL, 100u" Min NICKEL TOP OVER,  
 50u" Min COPPER UNDER PLATE.

3. PART NUMBER DESCRIPTION: 10090769-P XX X X LF

SERIES NO. \_\_\_\_\_  
 TYPE \_\_\_\_\_  
 P: PIN (MALE)  
 NUMBER OF CONTACTS \_\_\_\_\_  
 78: 78-PIN

LF:ROHS COMPLIANT  
 FLANGE MOUNTING OPTION  
 A:STANDARD HOLE

CONTACT FINISH  
 4:GOLD FLASH  
 6:30u" GOLD

PART NO.: 10090769-P78\*ALF

mat'l. code				tolerances unless otherwise specified			CUSTOMER COPY		FCI www.fciconnect.com		
ltr	ecn no	dr	date	linear	.X ± 0.38		projection	title			
A					.XX ± 0.25			H/D D-SUB 78P MALE SOLDER BUCKET	product family D-SUB		code
					.XXX ± 0.10				MM	size dwg no	
				angles	0° ±2°		scale	A4 10090769		sheet 2 of 2	
				dr	JASON HSU	12/10/09					
				enr	JASON HSU	12/10/09					
				chr	GARY HSIEH	12/10/09					
				appd	JOSEPH HSIA	12/10/09					
sheet index	revision sheet										

1 | 2

3

4