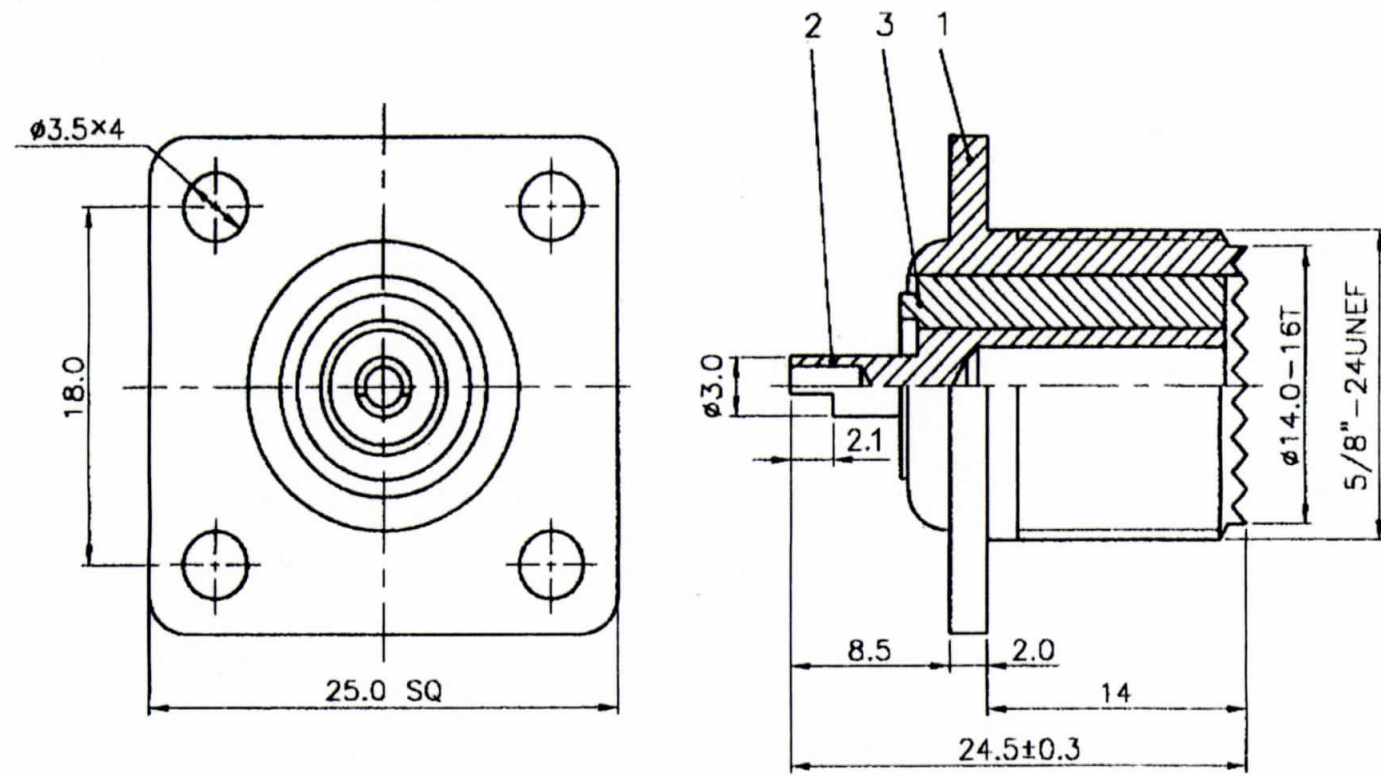


0.5-5 = +/- 0.2
 5-30 = +/- 0.4
 30-120 = +/- 0.6
 120-315 = +/- 1
 315-1000 = +/- 1.6
 1000-2000 = +/- 2.4



RoHS COMPLIANT

APPROVED BY: _____

3	PIN		BRASS	GOLD
2	INSULATOR		TEFLON	WHITE
1	BODY		ZINC	NICKEL

Description: UHF FEMALE SOLDER, PANEL RECEPTACLE
Part No.: V-7511-T

NO DESCRIPTION Q'TY MATERIAL FINISH Date: AUG 09 2016 **File No.:** JL