

Ameba RTL8720CM IoT Development Board

SKU 102991234

Ameba Z2 RTL8720CM is a highly integrated single-chip with low power consumption mechanism for IoT (Internet of Things). It combines an arm® new architecture Armv8M KM4 MCU, Wi-Fi, Bluetooth and provides a bunch of configurable GPIOs which are configured as digital peripherals for different applications and control usage.

RTL8720CM SoC also integrates internal 4MB RAM memory to minimize IoT end-product size and reduce your development cost.

RTL8720CM IoT development board is a convenient starter kit for makers. It integrates with Amazon FreeRTOS and provides many Wi-Fi antenna types on Dev. board to meet the multiple functions required of IoT applications.

Features

MCU

- ARMv8M KM4, 100MHz

Memory

- 4.2MB internal RAM on SoC and 2MB external flash on Dev. Board

Wi-Fi

- 802.11 b/g/n 1×1 Wi-Fi (20/40MHz)
- Wi-Fi simple config

Bluetooth

- BLE 4.2
- SIG Mesh (optional)

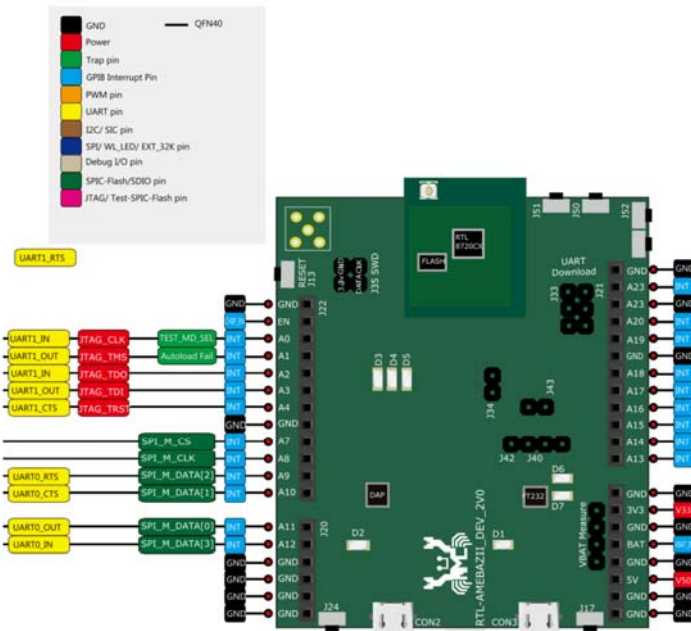
Security

- Cryptographic operation
- Trust-Zone (optional)
- Secure boot (optional)
- Wi-Fi WEP, WPA, WPA2, WPS

Interface

- 3 UART including 2 HS-UART and 1 log UART
- 1 SPI (Master/Slave)
- 1 I2C (Master/Slave)
- 1 SDIO 2.0
- 8 PWM
- Max. 16 GPIOs

8720CM Dev Board pinout



Part List:

1x Ameba Z2 RTL8720CM Dev. Board

1x Ipx antenna

ECCN/HTS

ECCN	3A991.a
HSCODE	8543709990
UPC	

