

80mm sq.

San Ace 80

20mm thick
25mm thick, 38mm thick, 42mm thick



General Specifications

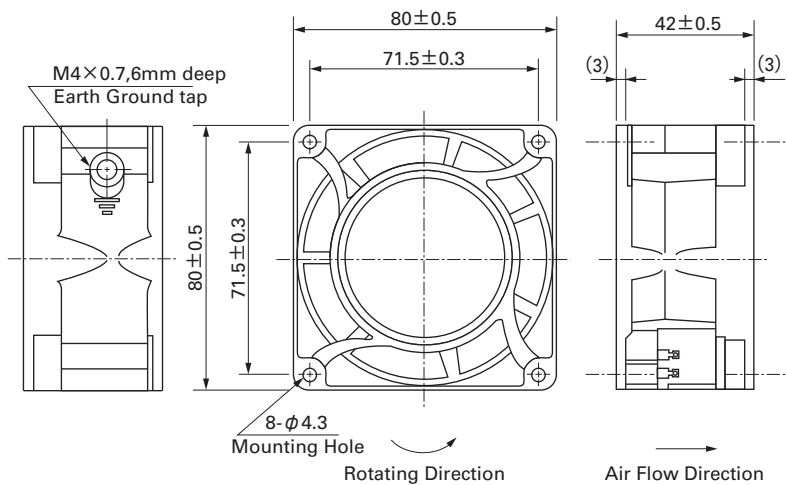
- Material..... Frame: Aluminum, Impeller:Plastics (Flammability: UL94V-1)
- Life ExpectancyVaries for each model (L10:Survival rate: 90% at 60°C , rated voltage,and continuously run in a free air state)
- Dielectric Strength 50/60Hz 1,500VAC 1minute (between input terminal and frame)
- Storage Temperature -30°C to +70°C (Non-condensing)

80×80×42mm (Mass : 410g)

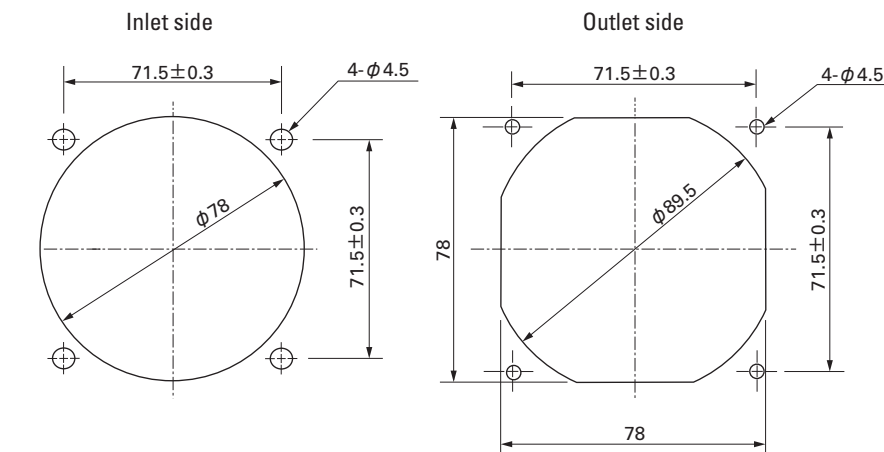
Specifications ※represents low-speed.

Model No.	Voltage [V]	Frequency [Hz]	Input [W]	Current [A]	Locked Rotor Current [A]	Rated Speed [min ⁻¹]	Air Flow [m ³ /min] [CFM]	Static Pressure [Pa] [inchH ₂ O]	SPL [dB(A)]	Operating Temperature [°C]	Life Expectancy [h]
109-040UL	100	50/60	10/9	0.13/0.11	0.16/0.14	2,650/3,100	0.85/1.0 30.0/35.3	24.5/35.3 0.098/0.142	40/44	-30 to +60	25,000
109-043UL	115			0.11/0.1	0.14/0.12						
109-041UL	200			0.07/0.06	0.08/0.07						
109-044UL	230			0.06/0.05	0.07/0.06						
109-047UL ※	100		4/3.5	0.05/0.05	0.05/0.05	1,500/1,500	0.43/0.43 15.2/15.2	8.8/8.8 0.035/0.035	24/24		
109-033UL ※	115			0.04/0.04	0.04/0.04						

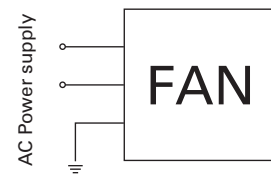
Dimensions (Unit : mm)



Reference dimension of mounting holes and vent opening (Unit : mm)



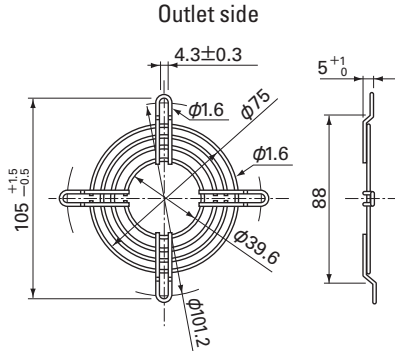
Wiring diagram



Options (Unit : mm)

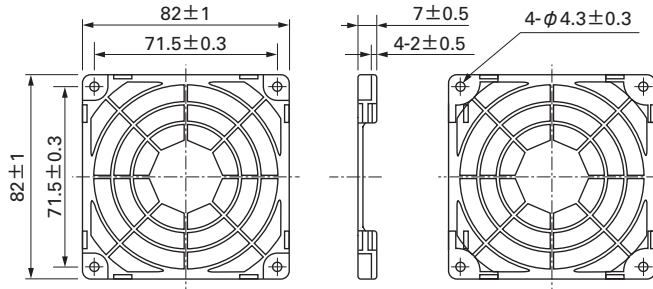
Finger guards

Model : 109-049C Color Surface treatment : Nickel-chrome plating (silver)

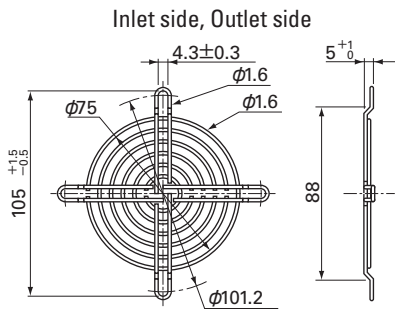


Resin finger guards

Model : 109-1002G

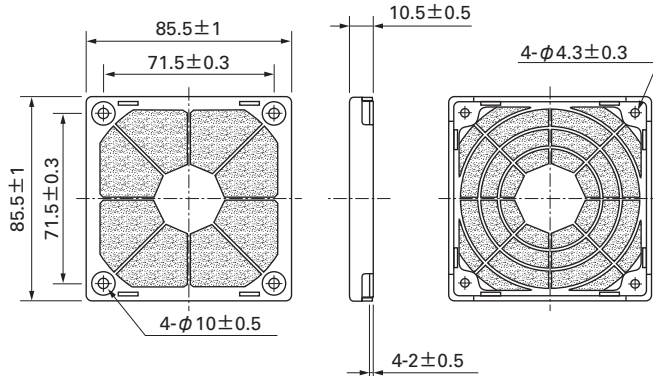


Model : 109-049E Color Surface treatment : Nickel-chrome plating (silver) : 109-049H : Cation electropainting (black)



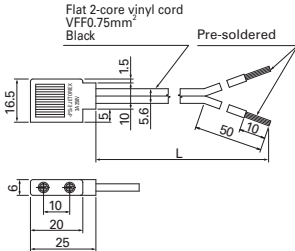
Resin filter kits

Model : 109-1002F13 (13PPI), 109-1002F20 (20PPI) : 109-1002F30 (30PPI), 109-1002F40 (40PPI)



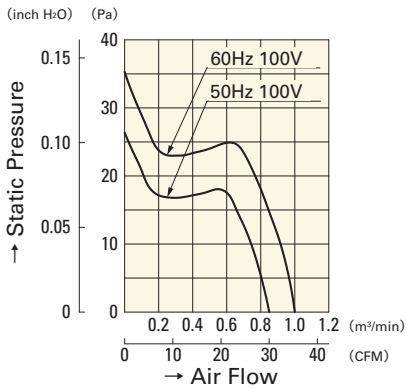
Plug cord

(Products compliant with Electrical Appliance and Material Safety Law) Model : 489-008-L10/489-008-L21/489-008-L35

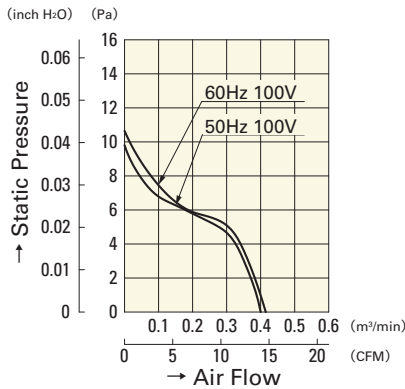


Model	Power cord length(mm)
- L10	1,000
- L21	2,100
- L35	3,500

Air Flow and Static Pressure Characteristics



- 109-040UL
- 109-043UL
- 109-041UL
- 109-044UL



- 109-047UL
- 109-033UL