

**60**mm sq.

# San Ace 60

28mm thick, 38mm thick



## General Specifications

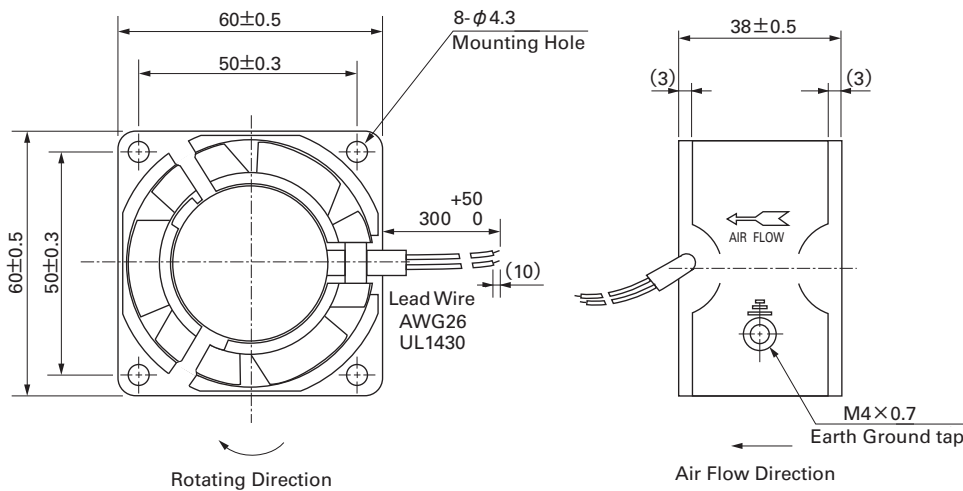
- Material..... Frame: Aluminum, Impeller:Plastics (Flammability: UL94V-1)
- Life Expectancy .....Varies for each model (L10: Survival rate: 90% at 60°C ,  
rated voltage, and continuously run in a free air state)
- Dielectric Strength .....50/60Hz 1,500VAC 1minute (between lead conductor and frame)
- Lead Wire .....black, 2pcs
- Storage Temperature .....-30°C to +70°C (Non-condensing)

**60×60×38mm** (Mass : 170g)

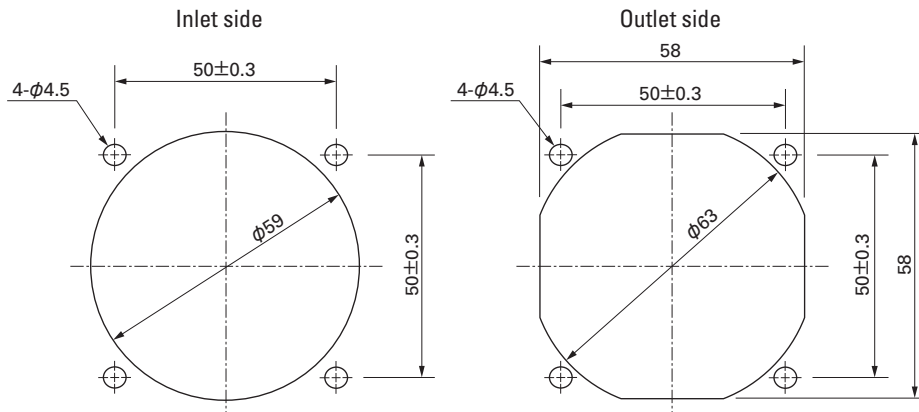
## Specifications

Model No.	Voltage [V]	Frequency [Hz]	Input [W]	Current [A]	Locked Rotor Current [A]	Rated Speed [min <sup>-1</sup> ]	Air Flow [m <sup>3</sup> /min] [CFM]	Static Pressure [Pa] [inchH <sub>2</sub> O]	SPL [dB(A)]	Operating Temperature [°C]	Life Expectancy [h]
109-130	100	50/60	6/5	0.08/0.07	0.08/0.07	2,600/3,150	0.33/0.4 11.7/14.1	16.3/23.3 0.065/0.094	28/30	-30 to +60	25,000
109-133	115			0.07/0.06	0.07/0.06						

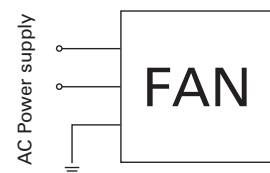
## Dimensions (Unit : mm)



## Reference dimension of mounting holes and vent opening (Unit : mm)



## Wiring diagram

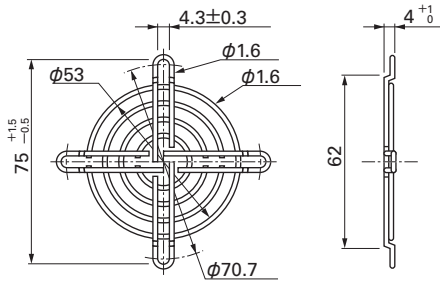


Options (Unit : mm)

**Finger guards**

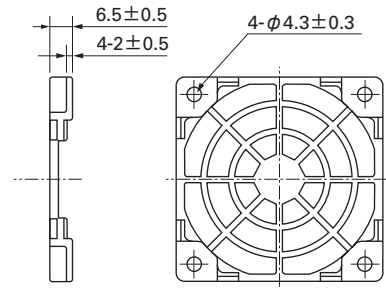
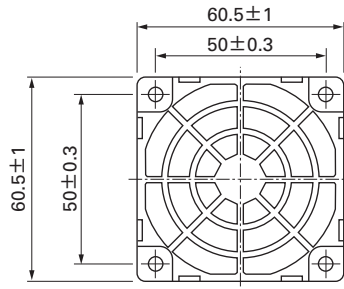
Model : 109-139E Surface treatment : Nickel-chrome plating (silver) Color : Silver  
 : 109-139H : Cation electropainting (black)

Inlet side, Outlet side



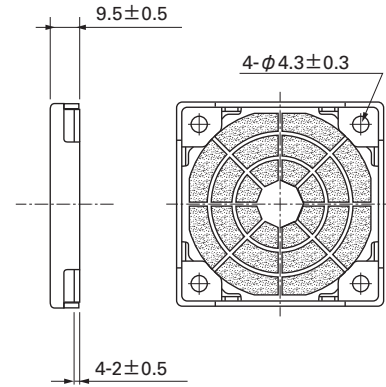
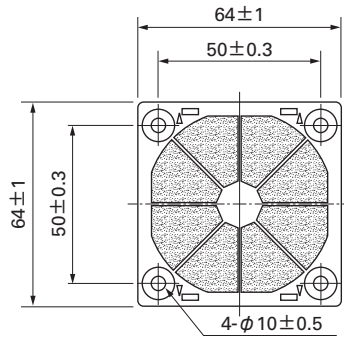
**Resin finger guards**

Model : 109-1003G

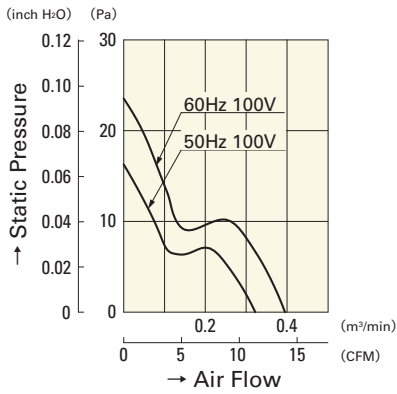


**Resin filter kits**

Model : 109-1003F13 (13PPI), 109-1003F20 (20PPI)  
 : 109-1003F30 (30PPI), 109-1003F40 (40PPI)



**Air Flow and Static Pressure Characteristics**



**109-130**

**109-133**