

80mm sq.

San Ace 80

20mm thick
25mm thick, 38mm thick, 42mm thick



General Specifications

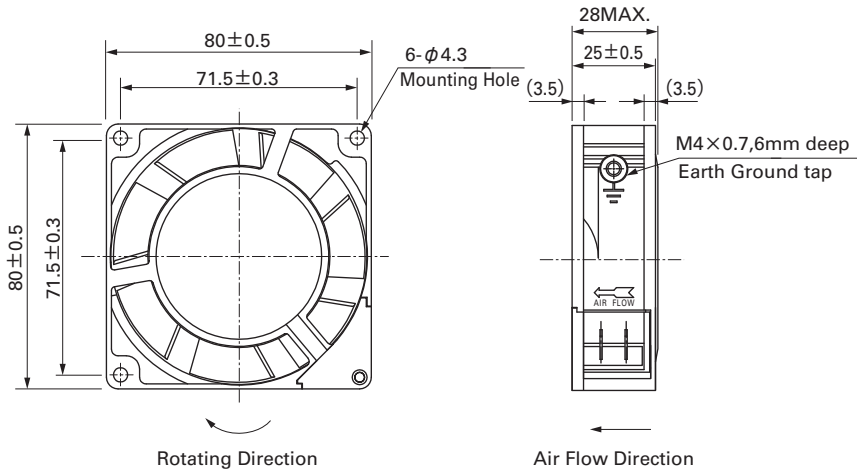
- Material.....Frame: Aluminum, Impeller:Plastics (Flammability: UL94V-1)
- Life ExpectancyVaries for each model (L10:Survival rate: 90% at 60°C , rated voltage,and continuously run in a free air state)
- Dielectric Strength50/60Hz 1,500VAC 1minute (between input terminal and frame or between lead conductor and frame)
- Storage Temperature-30°C to +70°C (Non-condensing)

80×80×25mm (Mass : 270g)

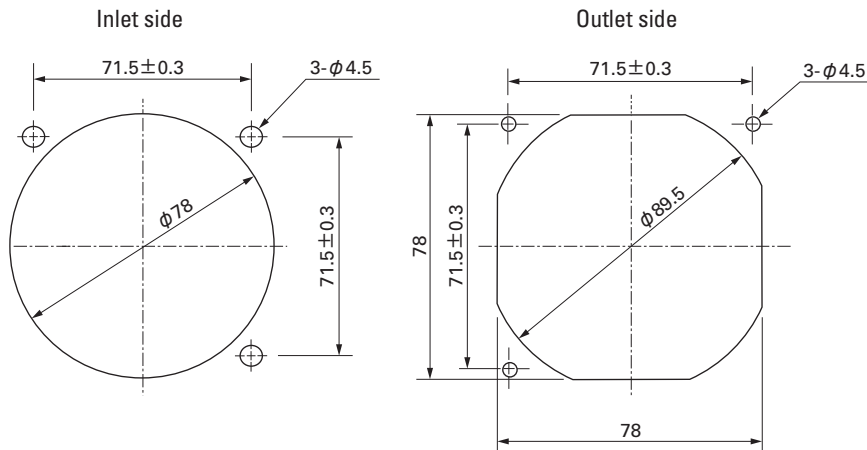
Specifications

Model No.	Voltage [V]	Frequency [Hz]	Input [W]	Current [A]	Locked Rotor Current [A]	Rated Speed [min ⁻¹]	Air Flow [m ³ /min] [CFM]	Static Pressure [Pa] [inchH ₂ O]	SPL [dB(A)]	Operating Temperature [°C]	Life Expectancy [h]
109S050	100	50/60	9/7	0.12/0.1	0.13/0.11	2,650/3,100	0.63/0.76 22.3/26.9	27.5/38.3 0.110/0.154	30/33	-30 to +60	25,000
109S053	115			0.1 /0.08	0.11/0.09						
109S051	200			0.06/0.05	0.06/0.05						
109S054	230			0.05/0.04	0.05/0.04						
109S030	100			0.12/0.1	0.13/0.11	2,350/2,700	0.55/0.63 19.4/22.3	21.6/28.4 0.087/0.114	28/30		
109S033	115			0.1 /0.08	0.11/0.09						
109S031	200			0.06/0.05	0.06/0.05						
109S034	230			0.05/0.04	0.05/0.04						

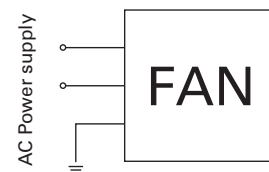
Dimensions (Unit : mm)



Reference dimension of mounting holes and vent opening (Unit : mm)



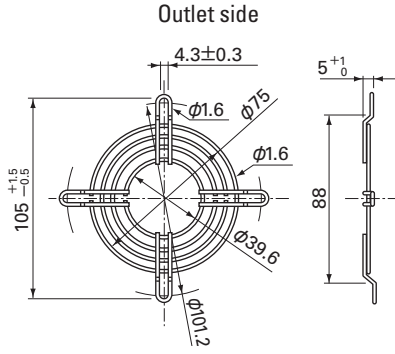
Wiring diagram



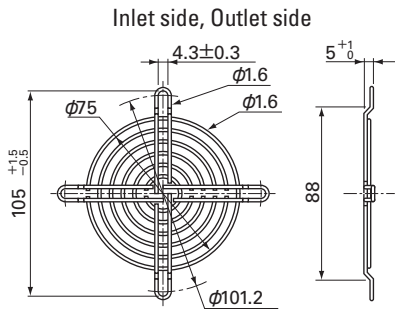
Options (Unit : mm)

Finger guards

Model : 109-049C Color Surface treatment : Nickel-chrome plating (silver)

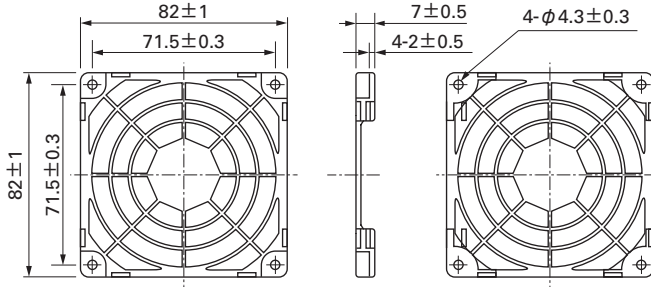


Model : 109-049E Color Surface treatment : Nickel-chrome plating (silver)
 : 109-049H : Cation electropainting (black)



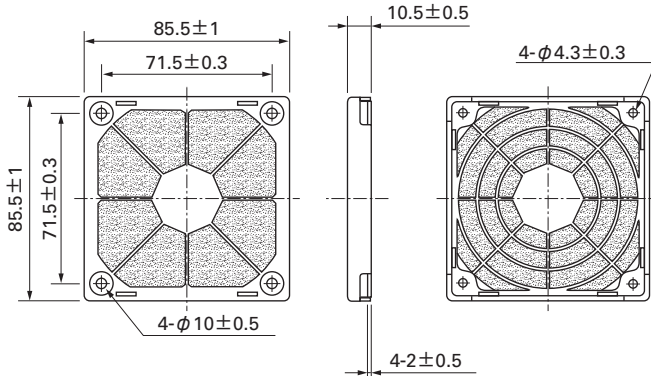
Resin finger guards

Model : 109-1002G



Resin filter kits

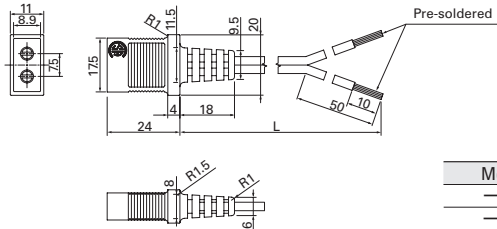
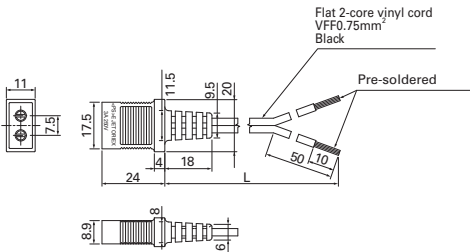
Model : 109-1002F13 (13PPI), 109-1002F20 (20PPI)
 : 109-1002F30 (30PPI), 109-1002F40 (40PPI)



Plug cord

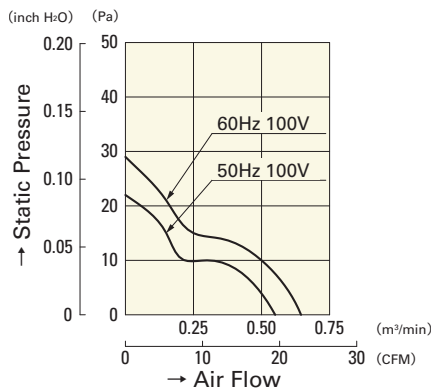
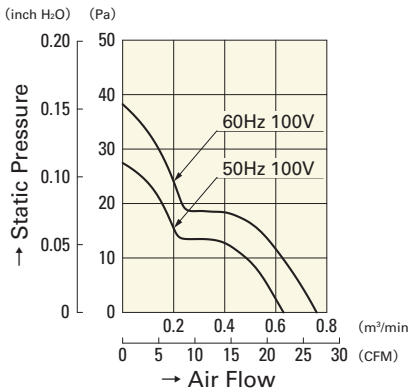
(Products compliant with Electrical Appliance and Material Safety Law)
 Model : 489-016-L10/489-016-L21

(UL/CSA CERTIFIED)
 UL FILE No.E50197 CSA FILE No.LR67048
 Model : 489-047-L10/489-047-L21



Model	Power cord length(mm)
- L10	1,000
- L21	2,100

Air Flow and Static Pressure Characteristics



- 109S050
- 109S053
- 109S051
- 109S054

- 109S030
- 109S033
- 109S031
- 109S034