

92mm sq.

San Ace 92

25mm thick, 25mm thick (with Sensor)



General Specifications

- Material..... Frame: Aluminum, Impeller:Plastics (Flammability: UL94V-1)
- Life Expectancy Varies for each model (L10:Survival rate: 90% at 60°C , rated voltage,and continuously run in a free air state)
- Dielectric Strength 50/60Hz 1,500VAC 1minute (between input terminal and frame)
- Dielectric Strength (With Sensor) ... between AC input and DC input(Sensor output)
 - : 50/60Hz 1,000VAC 1minute
 - between AC input and G
 - : 50/60Hz 1,500VAC 1minute,
 - between G and DC input(Sensor output)
 - : 50/60Hz 1,000VAC 1minute
- Sensor-Purpose Lead Wire ... ⊕ brown ⊖ black (Sensor) yellow

92×92×25mm (Mass : 290g / 310g (with Sensor))

Specifications Standard

 ※ represents low-speed.

Model No.	Voltage [V]	Frequency [Hz]	Input [W]	Current [A]	Locked Rotor Current [A]	Rated Speed [min ⁻¹]	Air Flow [m ³ /min] [CFM]	Static Pressure [Pa] [inchH ₂ O]	SPL [dB(A)]	Operating Temperature [°C]	Life Expectancy [h]
109S091	100	50/60	8/7	0.1 /0.09	0.13/0.12	2,700/3,100	0.95/1.1 33.6/38.9	39.2/49.0 0.157/0.197	35/38	-30 to +60	25,000
109S093	115			0.09/0.08	0.11/0.1						
109S092	200		11/10	0.07/0.06	0.08/0.08						
109S094	230		10/9	0.06/0.05	0.07/0.07						
109S095	100		8/7	0.1 /0.09	0.11/0.1	2,400/2,800	0.84/0.98 29.7/34.6	31.4/40.2 0.126/0.161	32/35		
109S096 ※	100		7/6	0.09/0.08	0.09/0.08	1,500/1,700	0.55/0.65 19.4/23	12.5/16.3 0.050/0.065	24/27		
109S193 ※	115										
109S192 ※	200		8/7	0.06/0.05	0.06/0.05						
109S194 ※	230										

with Sensor

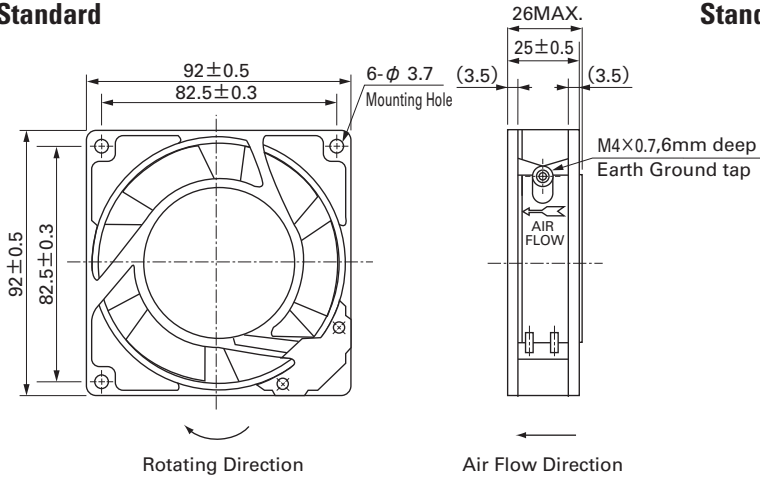
 ※ represents low-speed.

Model No.	Voltage [V]	Frequency [Hz]	Input [W]	Current [A]	Locked Rotor Current [A]	Rated Speed [min ⁻¹]	Air Flow [m ³ /min] [CFM]	Static Pressure [Pa] [inchH ₂ O]	SPL [dB(A)]	Operating Temperature [°C]	Life Expectancy [h]
109S491	100	50/60	8/7	0.1 /0.09	0.13/0.12	2,700/3,100	0.95/1.1 33.6/38.9	39.2/49.0 0.157/0.197	35/38	-10 to +60	25,000
109S493	115			0.09/0.08	0.11/0.1						
109S492	200		11/10	0.07/0.06	0.08/0.08						
109S494	230		10/9	0.06/0.05	0.07/0.07						
109S495	100		8/7	0.1 /0.09	0.11/0.1	2,400/2,800	0.84/0.98 29.7/34.6	31.4/40.2 0.126/0.161	32/35		
109S496 ※			7/6	0.09/0.08	0.09/0.08	1,500/1,700	0.55/0.65 19.4/23	12.5/16.3 0.050/0.065	24/27		

Two types of power supplies, 5V and 12V, are available in fans with sensor attached.

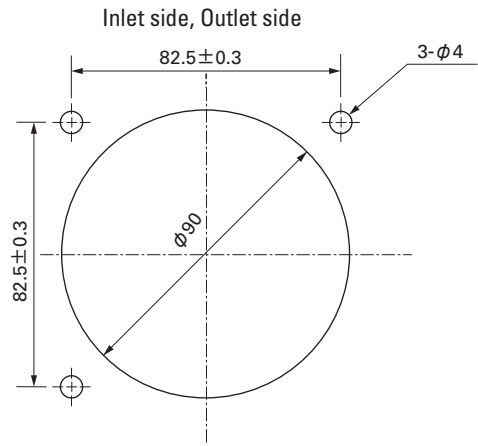
Dimensions (Unit : mm)

Standard

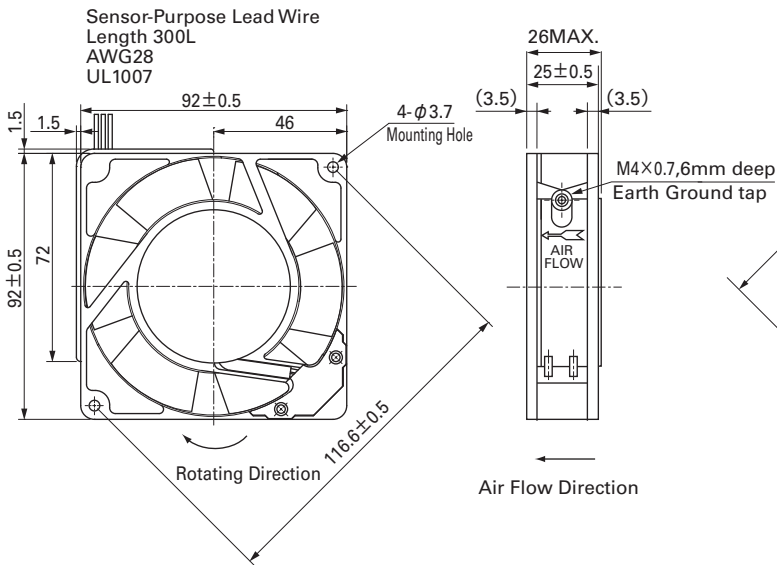


Reference dimension of mounting holes and vent opening (Unit : mm)

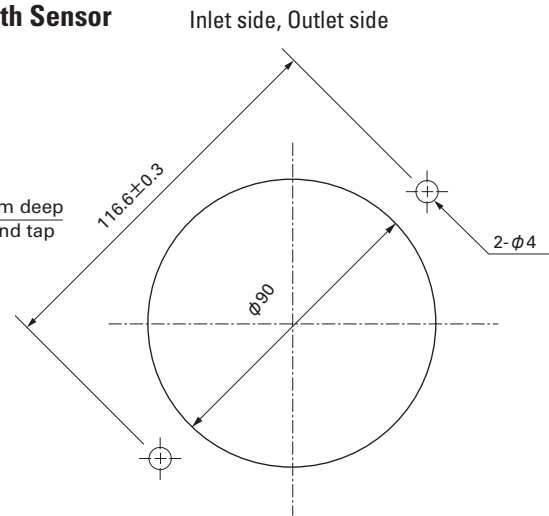
Standard



with Sensor

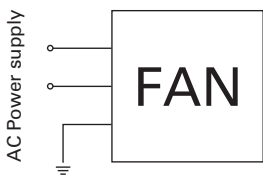


with Sensor



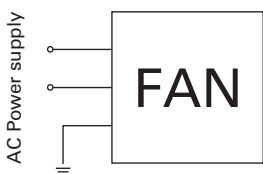
Wiring diagram

Standard

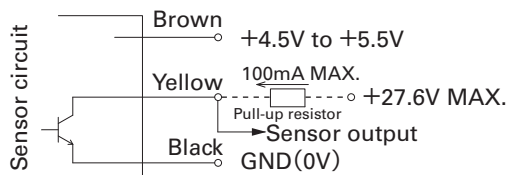


with Sensor

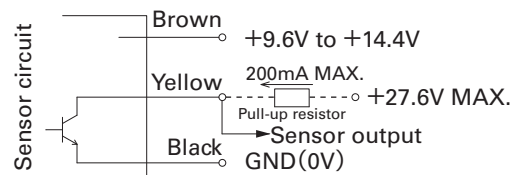
(For fan power supply)



5V



12V



GND (Black) should be shared in case that power supply for sensor circuit (Brown) and that for sensor pull-up (Yellow) are separated.

92mm sq.

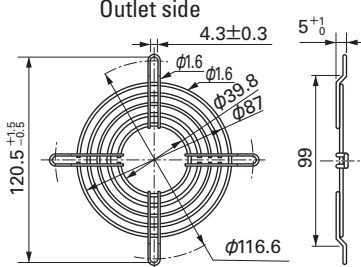
San Ace 92

92×92×25mm [Mass : 290g / 310g (with Sensor)]

Options (Unit : mm)

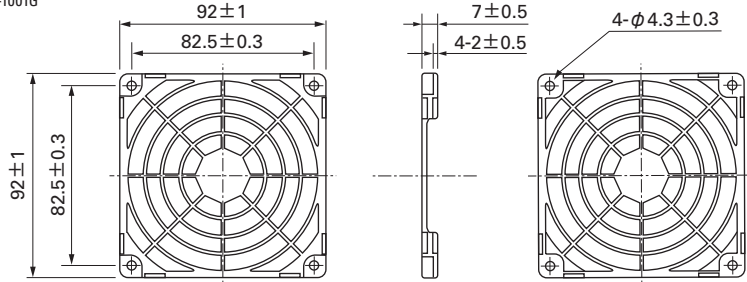
Finger guards

Model : 109-099C Surface treatment : Nickel-chrome plating (silver) Color



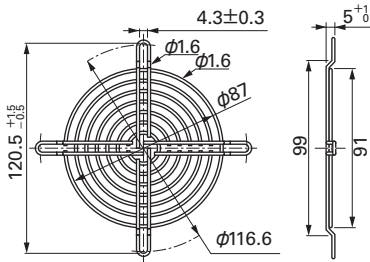
Resin finger guards

Model : 109-1001G



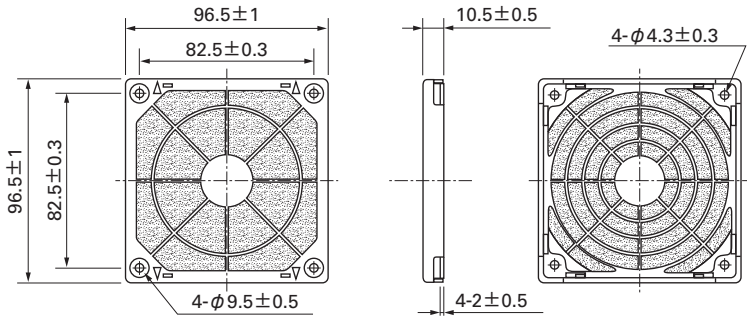
Model : 109-099E Surface treatment : Nickel-chrome plating (silver) Color
: 109-099H : Cation electropainting (black)

Inlet side, Outlet side



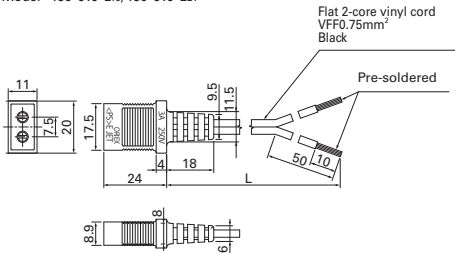
Resin filter kits

Model : 109-1001F13 (13PPI), 109-1001F20 (20PPI)
: 109-1001F30 (30PPI), 109-1001F40 (40PPI)

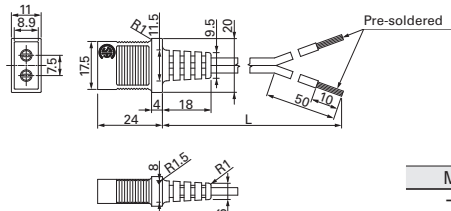


Plug cord

(Products compliant with Electrical Appliance and Material Safety Law)
Model : 489-016-L10/489-016-L21



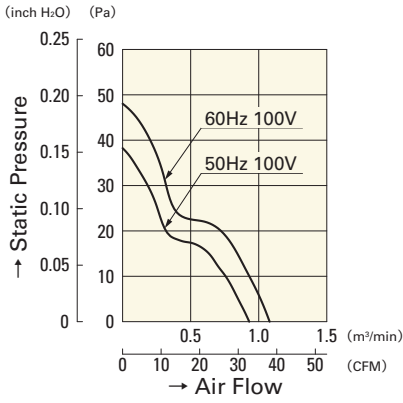
(UL/CSA CERTIFIED)
UL FILE No.E50197 CSA FILE No.LR67048
Model : 489-047-L10/489-047-L21



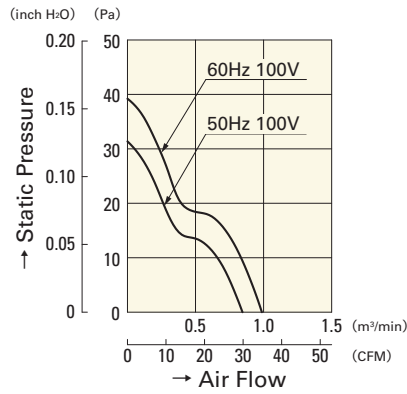
Model	Power cord length(mm)
- L10	1,000
- L21	2,100

Air Flow - Static Pressure Characteristics

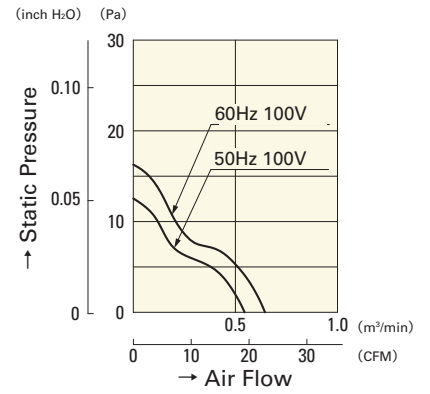
Standard



- 109S091**
- 109S093**
- 109S092**
- 109S094**

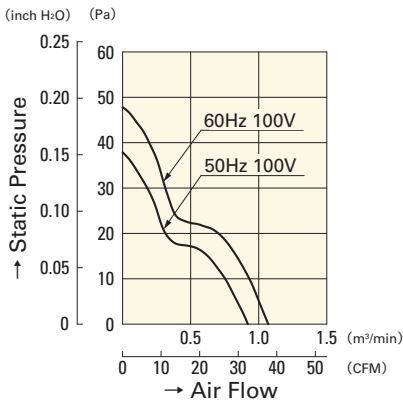


- 109S095**

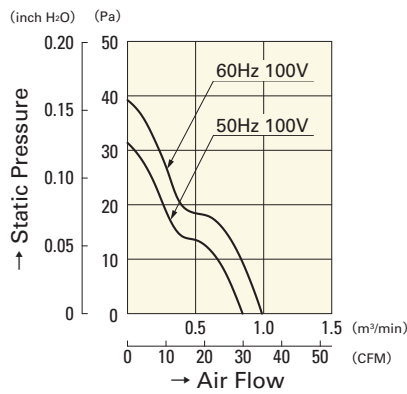


- 109S096**
- 109S193**
- 109S192**
- 109S194**

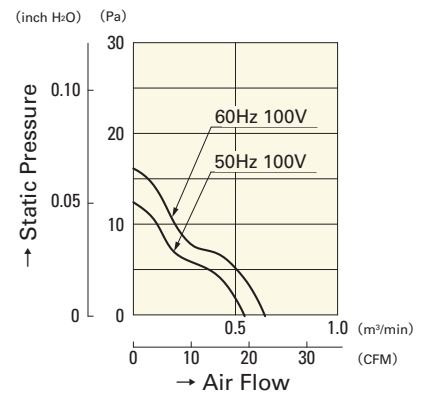
with Sensor



- 109S491**
- 109S493**
- 109S492**
- 109S494**



- 109S495**



- 109S496**