

Datasheet

RS Pro

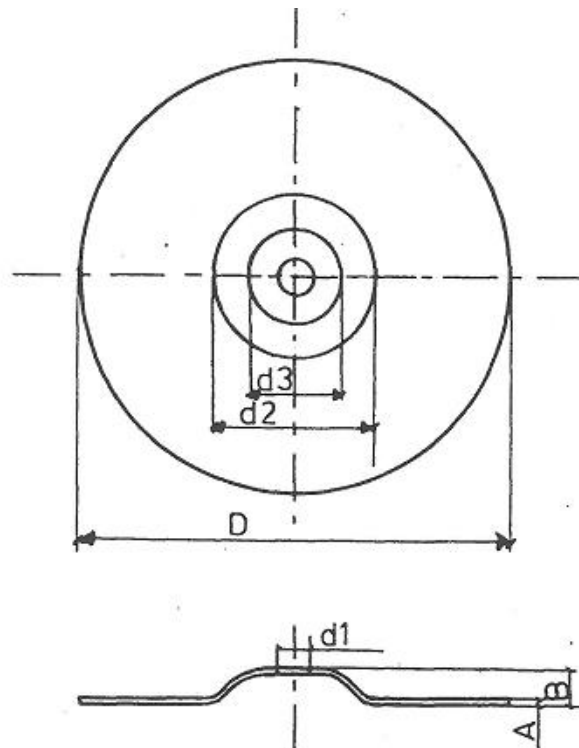
Metal Disc Mounting Kits for use with Toroidal Transformer

Specifications:

*Toroidal Transformer mounting disc.
Large metal washer with recessed centre
to accept head of mounting bolt*



Material : MS-CRCA (mild steel, cold rolled cold annealing)
Plating: Zinc plating – Blue passivation (appearance is white colour)



RS Part No.	Description	D ±0.2	D1 ±0.2	d2 ±0.2	d3 ±0.2	A ±0.1	B ±0.1
671-9205	Metal Disc 50x6x0.7	50	6.5	19.0	11.0	0.8	5.7
671-9208	Metal Disc 70x6x1.2	70	6.5	26.0	14.0	1.2	5.6
671-9202	Metal Disc 90x6x1.2	90	6.5	38.0	27.0	1.2	6.5
124-9382	Metal Disc 110x8x1.2	110	8.5	40.5	23.0	1.2	7.0
124-9383	Metal Disc 135x8.5x1.2	135	8.5	41.0	21.0	1.2	7.0

All dimensions in millimetres [mm]