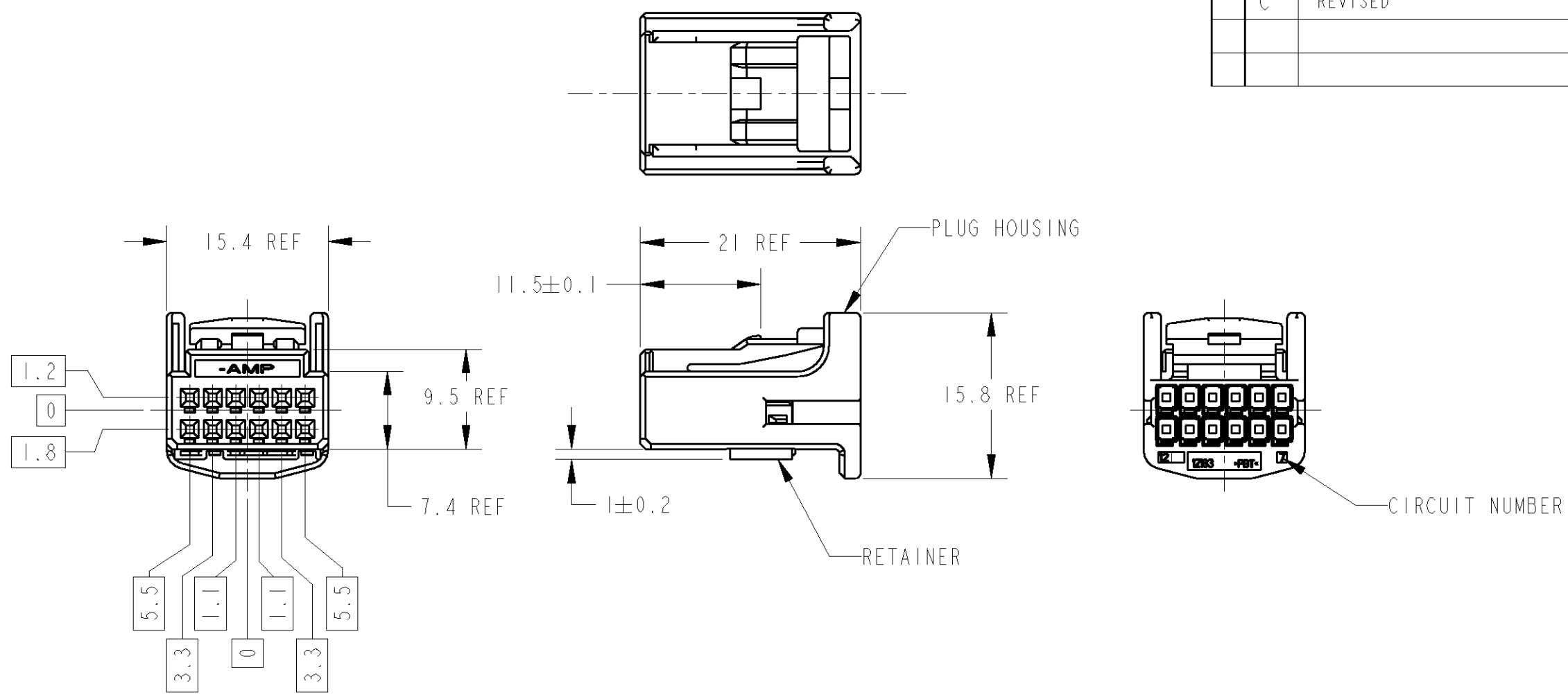


THIS DRAWING IS UNPUBLISHED. RELEASED FOR PUBLICATION
 © COPYRIGHT 2000 BY TYCO ELECTRONICS CORPORATION. ALL RIGHTS RESERVED.

LOC	DIST	REVISIONS						
		P	LTR	DESCRIPTION	ECN	DATE	DWN	APVD
J	X		B	REVISED	FJ00-0278-02	04FEB02	R.K	H.Y
			C	REVISED	FJA0-0626-03	19JAN04	YM	HY



1. RETAINER SHOULD BE SET TO THE PRE- ASSEMBLY POSITION WITHIN THE PLUG HOUSING WHEN SHIPPED TO THE CUSTOMER
 2. THE RETENTION LATCH OF THE RETAINER MUST BE OUT SIDE OF PLUG HOUSING WHEN PRE-ASSEMBLY
 3. RETAINER RETENTION FORCE FROM HOUSING : 20N MIN
 4. INSTRUCTION SHEET NO : 411-5928
 5. PART NUMBER OF CAP HOUSING TO BE MATED : SEE TABLE-1
 6. APPLIED TERMINAL : SEE TABLE-2
- △ RETAINER IS THE SAME COLOR AS HOUSNG.

1. プラグハウジングにリテーナーを仮止して出荷する
 2. 仮係止時リテーナー突起がハウジングの外側に出ていること
 3. リテーナーの仮係止保持力は 20N 以上
 4. 取扱説明書 NO : 411-5928
 5. 嵌合相手型番は TABLE-1参照
 6. 通称端子は TABLE-2参照
- △ リテーナーはハウジング本体と同色とする。

TABLE-1

POS 極数	CAP ASSEMBLY PART NO キャップ 型番
12	1318772

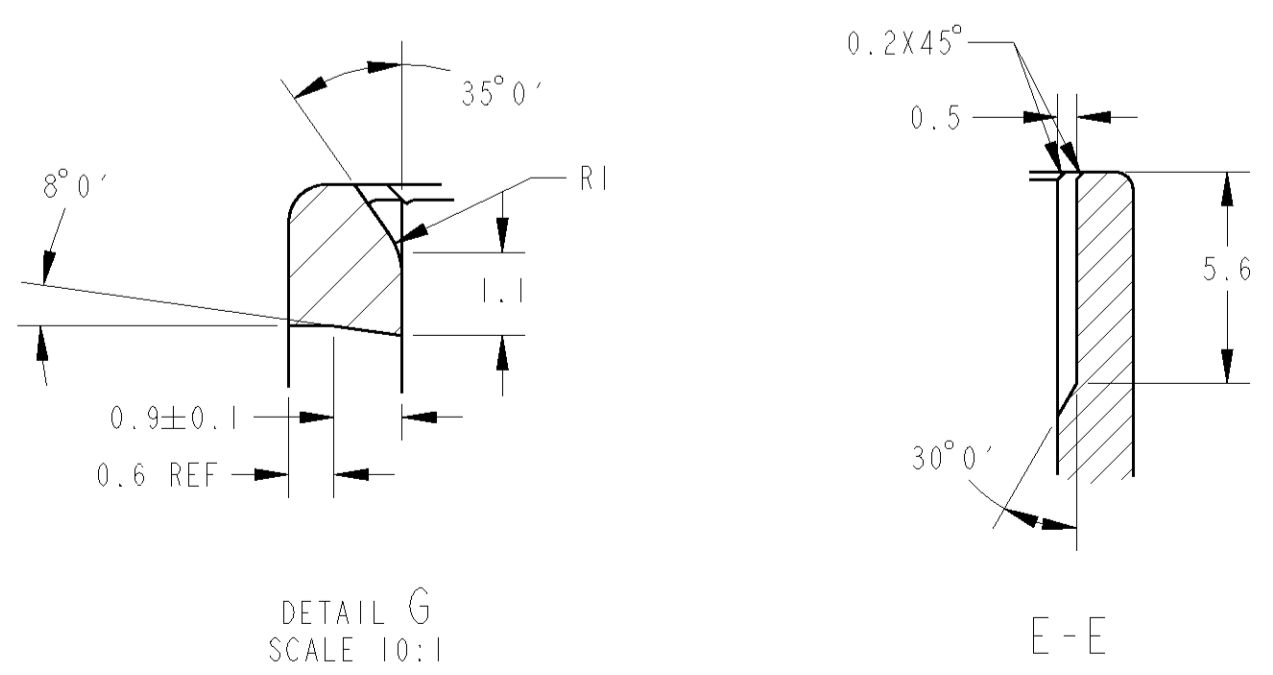
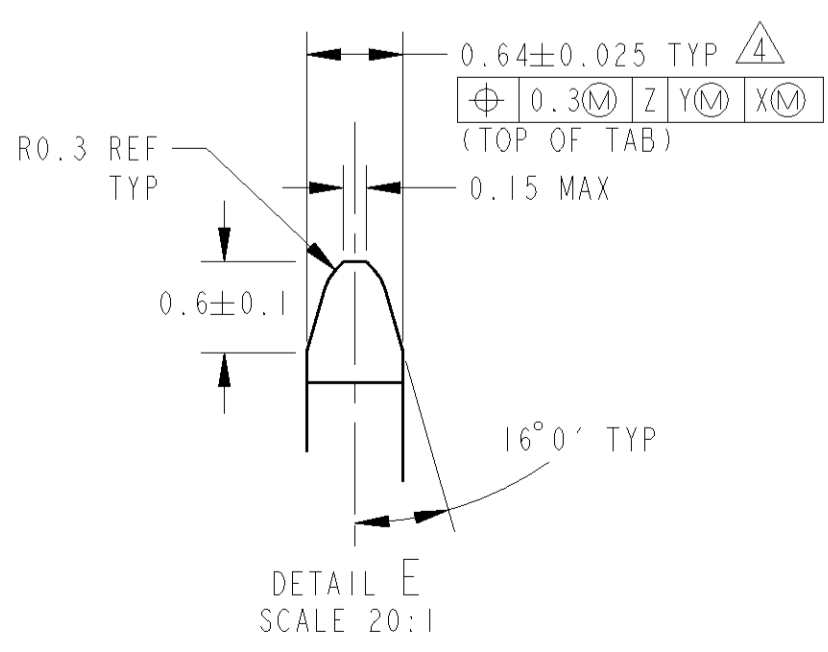
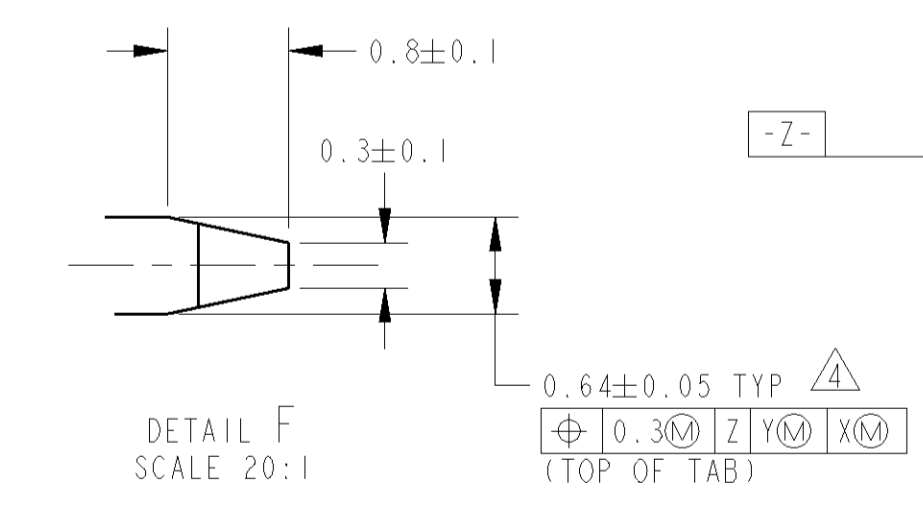
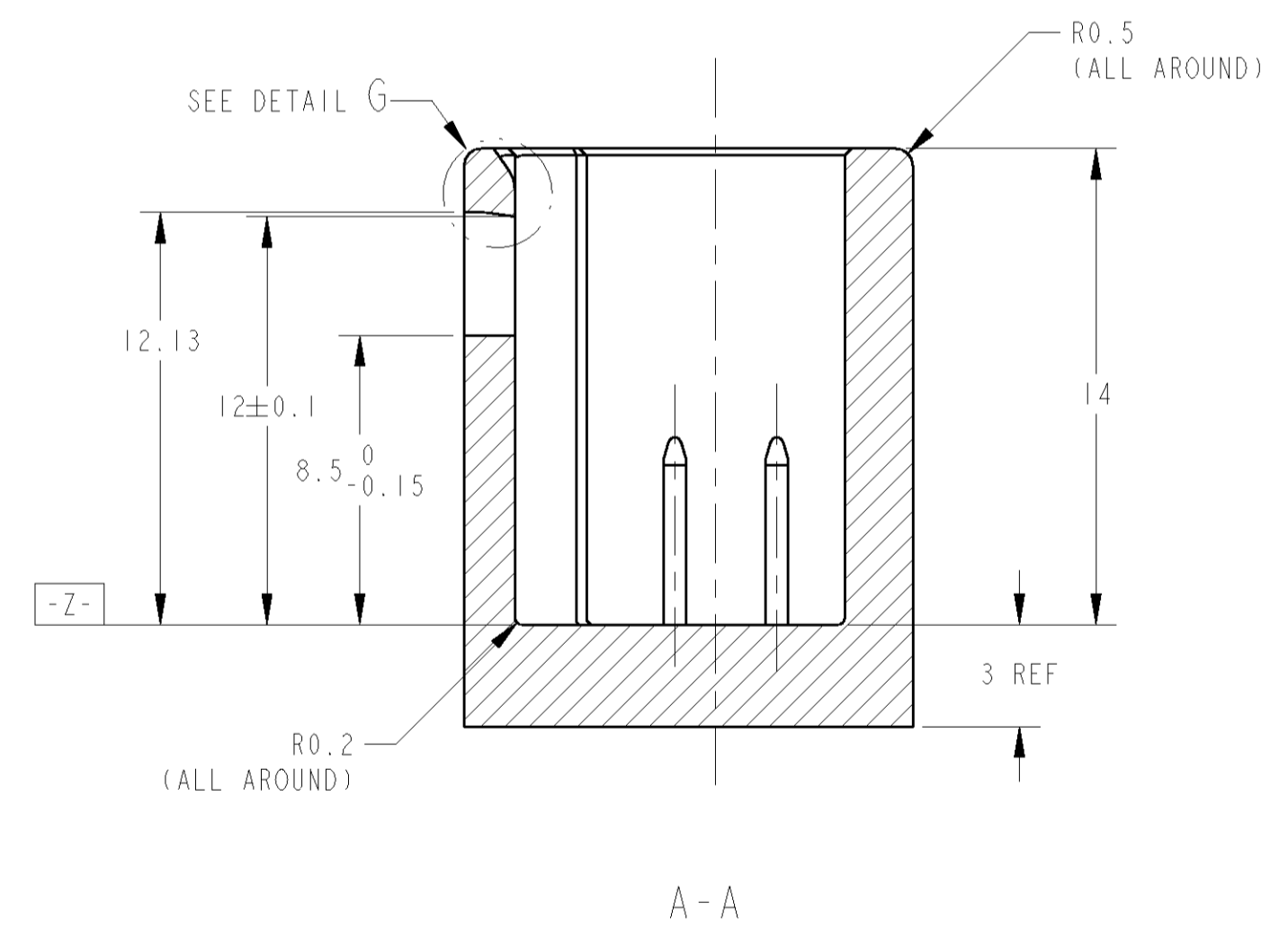
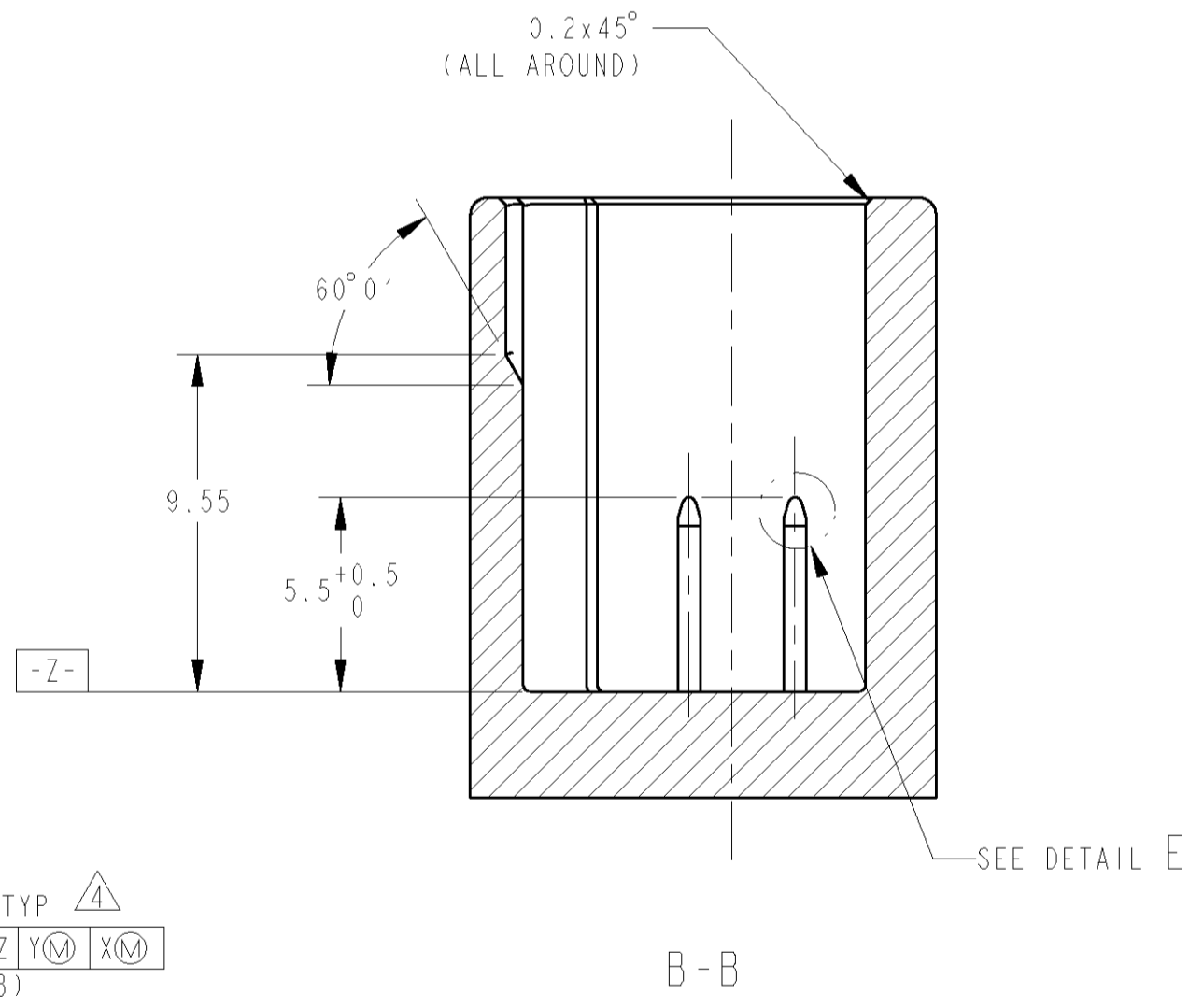
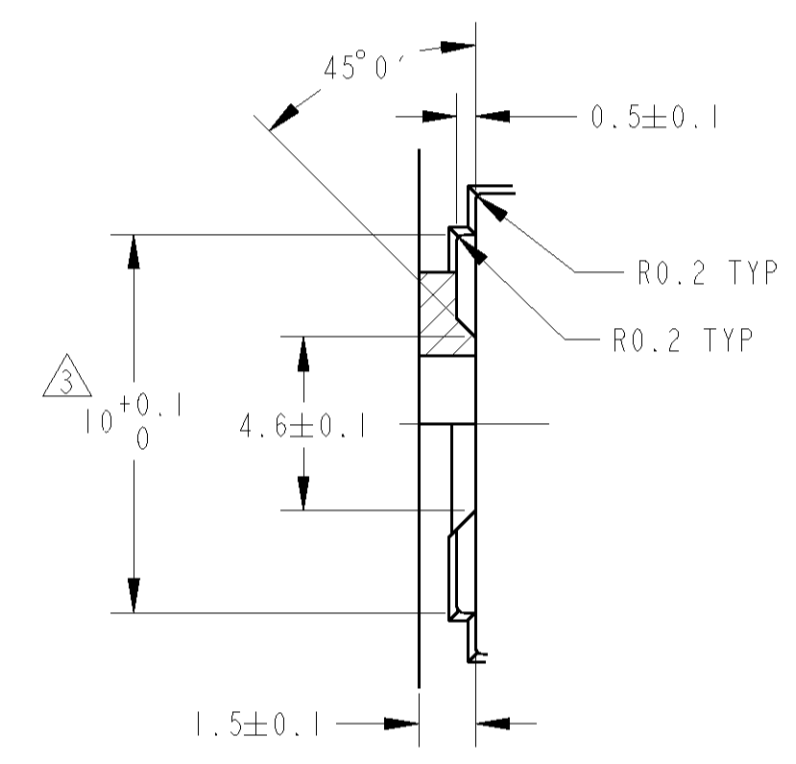
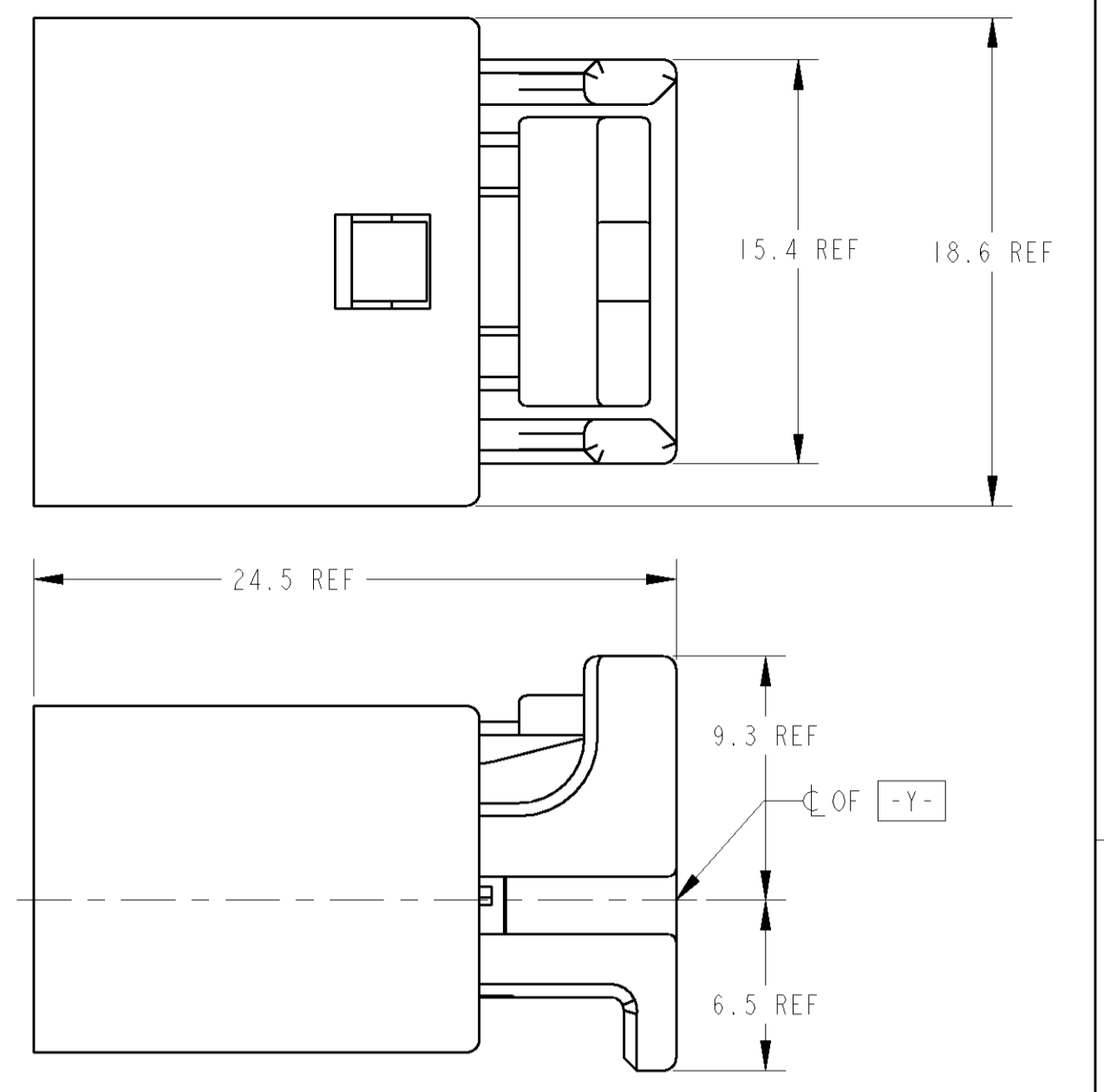
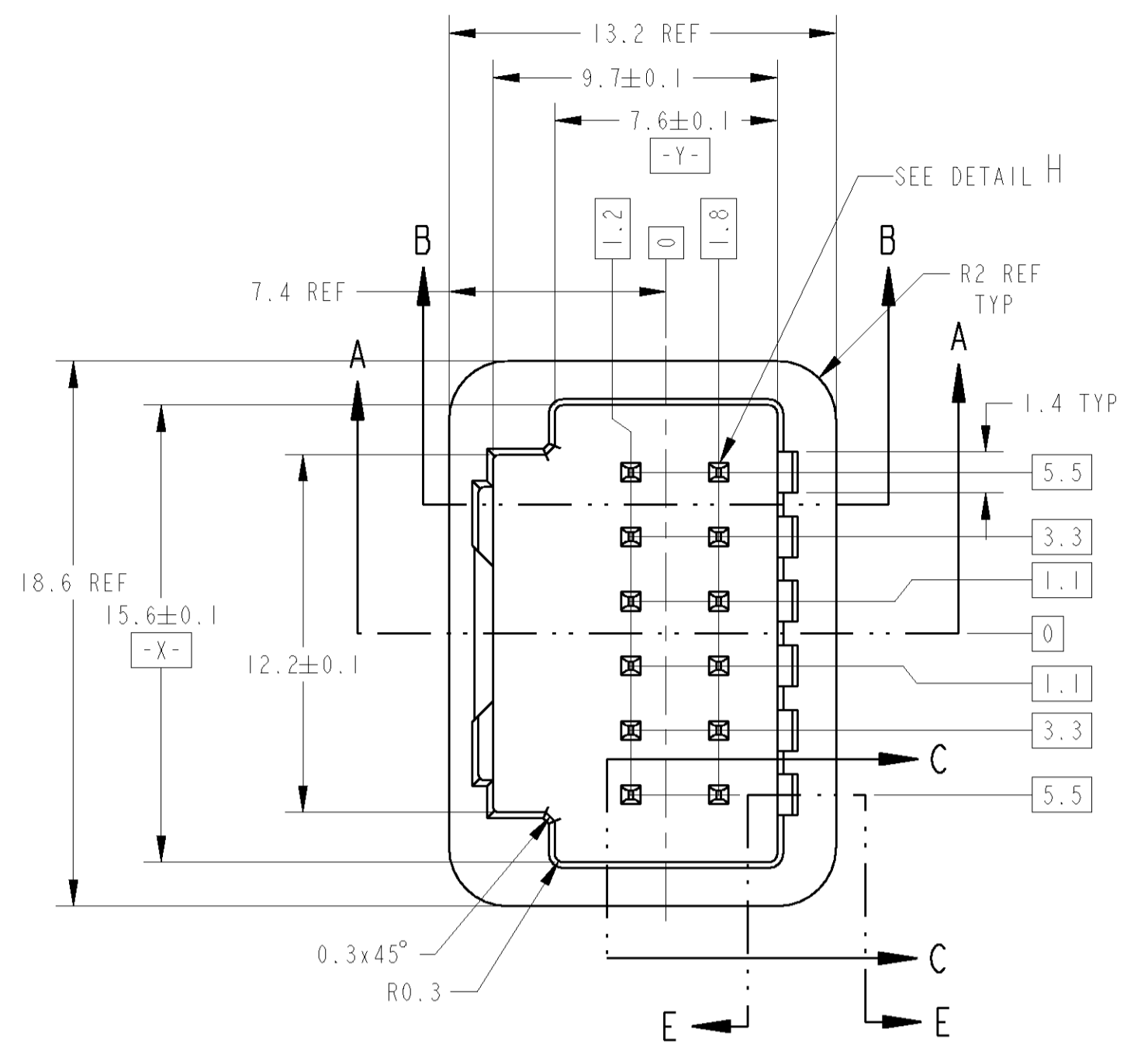
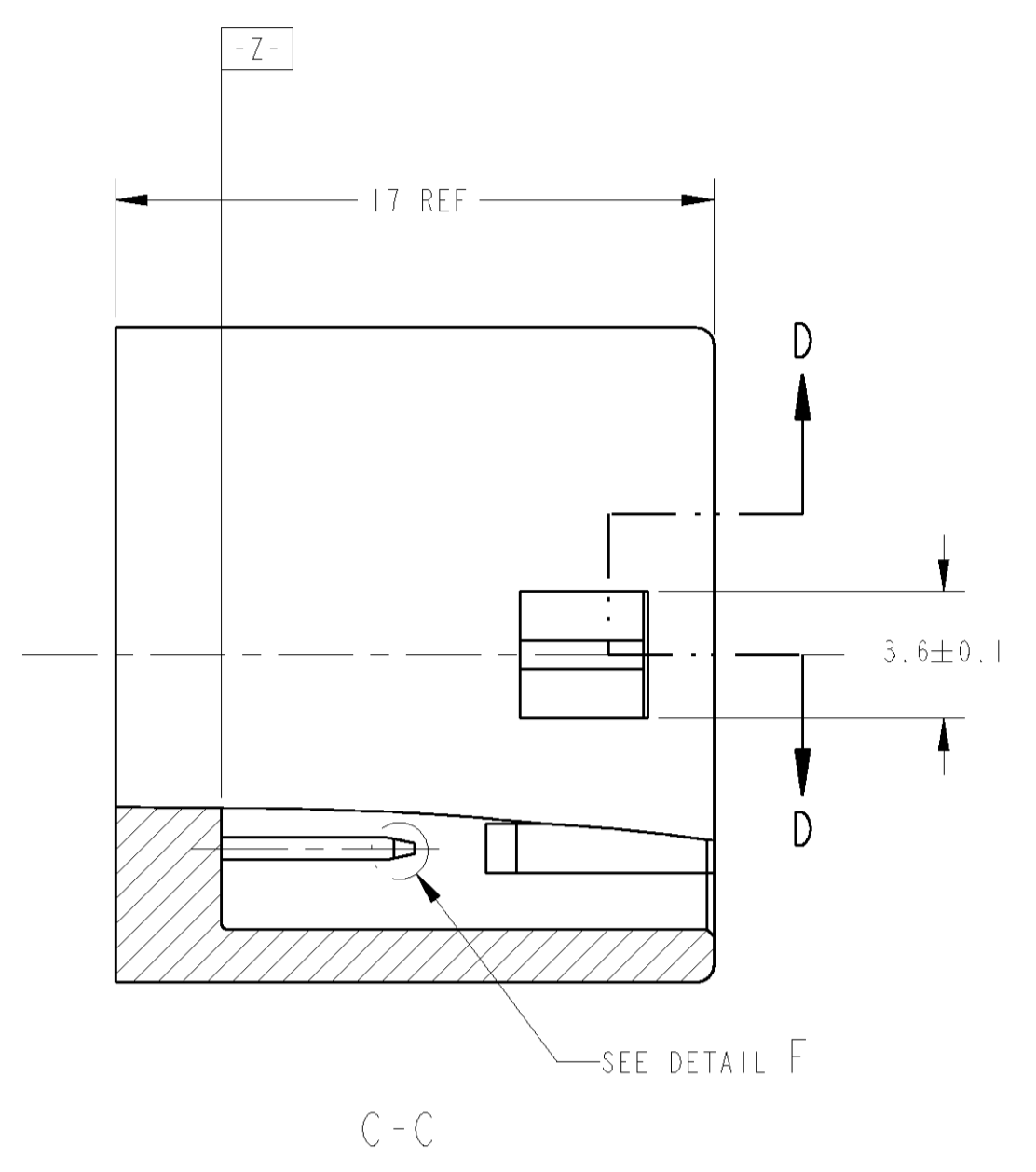
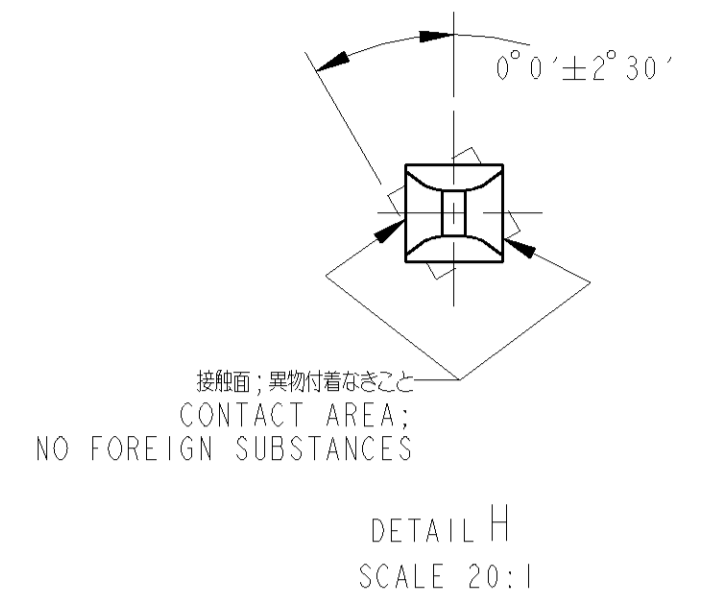
TABLE-2

SIGNAL		TERMINAL NO 端子型番	APPLICABLE WIRE RANGE (FEMALE) 通用電線
025	TIN	1123343-1	AVSS/CAVUS 0.3~0.5mm ² CAVS 0.22~0.5mm ² AVSSH-f 0.3~0.5mm ²

PACKING STYLE 梱包形態	COLOR 色	PRT NUMBER 製品型番
PAPER BOX ダンボール箱	BLACK △	1318774-2
PLASTIC BAG ビニール袋	NATURAL △	1318774-1
OUTER 外表	INNER 内装	

THIS DRAWING IS A CONTROLLED DOCUMENT FOR TYCO ELECTRONICS CORPORATION
 IT IS SUBJECT TO CHANGE AND THE CONTROLLING ENGINEERING ORGANIZATION
 SHOULD BE CONTACTED FOR THE LATEST REVISION.

DWN Y. NOGUCHI	07FEB00	Tyco Electronics AMP K.K. Kawasaki, Japan
CHK S. SHINDOU	07FEB00	
APVD N. SAI	07FEB00	
PRODUCT SPEC 製品規格	108-5668	NAME 名称 025 SERIES 12 POSITION PLUG HOUSING ASSEMBLY
APPLICATION SPEC 取付適用規格	114-5250	
WEIGHT	2.1 g	SIZE A3
CUSTOMER DRAWING		CAGE CODE 00779
		DRAWING NO C=1318774
		RESTRICTED TO
		SCALE 尺度 6:1
		SHEET 1 OF 2
		REV C



- UNSPECIFIED DRAFT ANGLE ; 0.5° MAX
- WARPAGE ; 0.15 MAX, FLASH ; 0.2 MAX
- NO DRAFT ANGLE
- POSITION TOLERANCE FOR ROOT OF TAB:
 $\oplus 0.1 \text{ (Z | Y | M | X)}$
- AS FOR THE HANDLING OF THIS PRODUCT, FOLLOW THE INSTRUCTION SHEET NO.411-5928
- HOUSING MATERIAL ; PBT GF15%
- TERMINAL MATERIAL ; BRASS (USN NO. C26000, C26800) TIN-PLATED 0.8-1.5μm OVER COPPER PLATED 0.5-1.5μm.
- THIS SHEET FOR CAP HOUSING DESIGN TO BE MATED WITH AMP P/N 1318774-1

- 指示寸法公差は、0.5° 以内
- 各部の反り、0.15以内、ノリは0.2以内
- 抜き配は前記しない
- 端子の根元の位置公差は、 $\oplus 0.1 \text{ (Z | Y | M | X)}$
- 本製品の取扱は、取扱説明書NO.411-5928に従うこと
- ハウジング材料 ; PBT GF15%
- 端子材料 ; BRASS (USN NO. C26000, C26800相当)に、銅下地つき0.5-1.5μmを施した後、すずめっき0.8-1.5μmを施すこと
- 本シートは、嵌合図である。嵌合相手品番 ; AMP P/N 1318774-1

DIMENSIONS:		TOLERANCES UNLESS OTHERWISE SPECIFIED:		DWN N. YASUDA 16MAR00		Tyco Electronics AMP K.K. Kawasaki, Japan	
mm		一般: ±0.15		CHK N. SAI 16MAR00		NAME	
		0-PLC ±0.15 1-PLC ±0.5 2-PLC ±0.13 3-PLC ±0.13 4-PLC ±0.001 ANGLES ±0.001 FINISH		PRODUCT SPEC 108-5668 APPLICATION SPEC 114-5250		Q25 SERIES 12 POSITION PLUG HOUSING ASSEMBLY	
MATERIAL NOTE		FINISH NOTE		APVD N. SAI 16MAR00 WEIGHT 114-5250		SIZE CAGE CODE DRAWING NO. RESTRICTED TO A11 00779 C=1318774 SCALE 5:1 SHEET 2 OF 2 REV C	
CUSTOMER DRAWING							