

THIS DRAWING IS UNPUBLISHED. RELEASED FOR PUBLICATION  
 © COPYRIGHT 2000 BY TYCO ELECTRONICS CORPORATION. ALL RIGHTS RESERVED.

LOC	DIST	REVISIONS						
		P	LTR	DESCRIPTION	ECN	DATE	DWN	APVD
J			C	REVISED	FJA0-0626-03	19JAN04	YM	HY

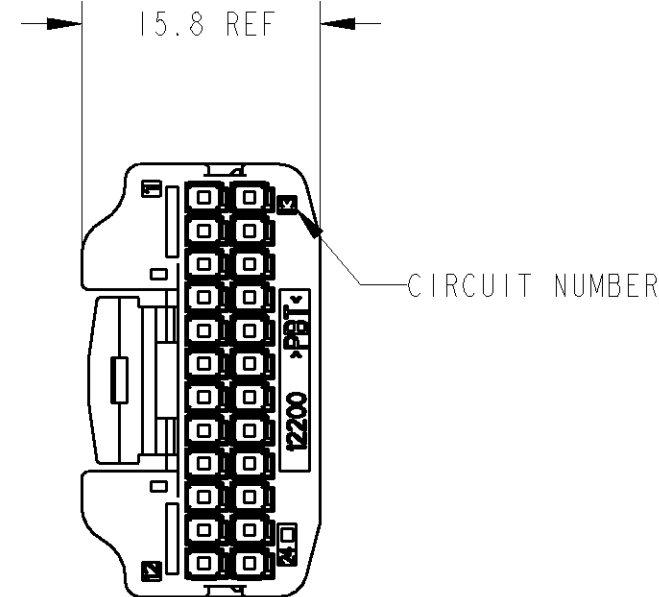
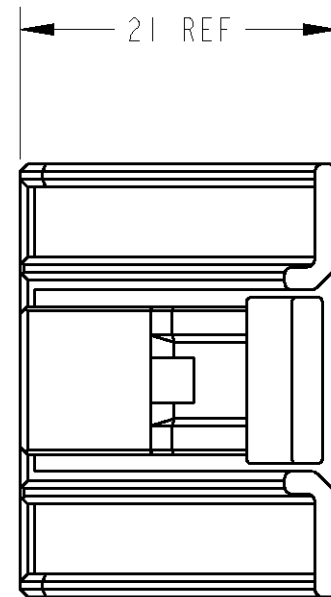
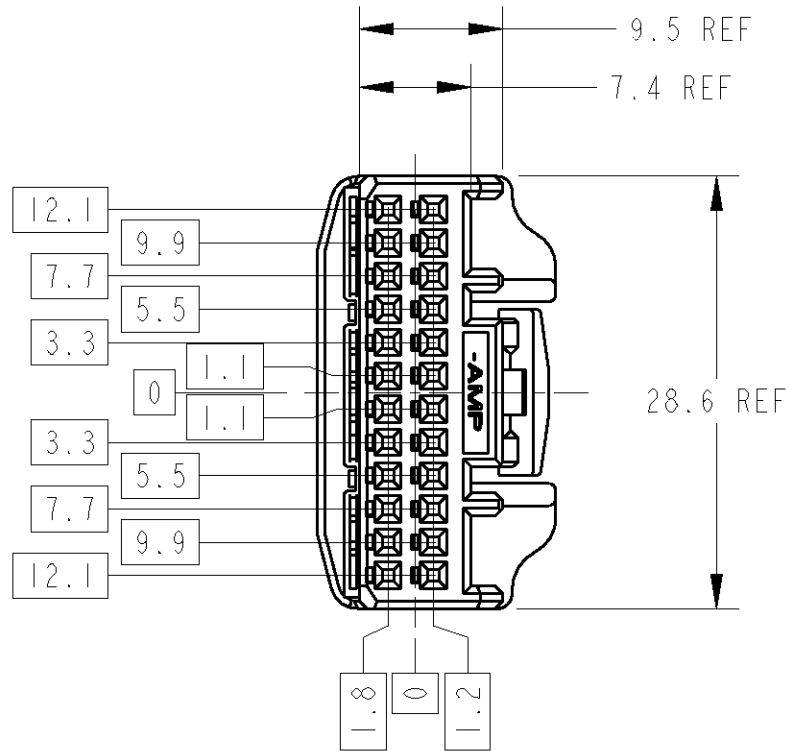


TABLE-1

POS 極数	CAP ASSEMBLY PART NO キャップ 型番
24	1318853-1

TABLE-2

		TERMINAL NO 端子型番	APPLICABLE WIRE RANGE 適用電線
SIGNAL 025	TIN	1123343-1	AVSS/CAVUS 0.3~0.5mm <sup>2</sup> AVSSH-f 0.3~0.5mm <sup>2</sup> CAVS 0.22~0.5mm <sup>2</sup>

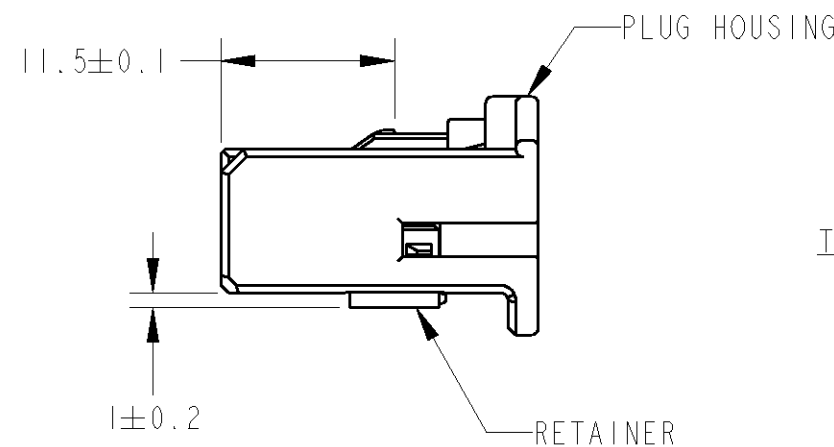


TABLE-3

PAPER BOX ダンボール	PLASTIC BAG ビニール袋	COLOR	PART NUMBER
		BLACK $\triangle 7$	1318917-2
		NATURAL $\triangle 7$	1318917-1
OUTER 外装	INNER 内装		
PACKING STYLE 梱包形態			

1. RETAINER SHOULD BE SET TO THE PRE- ASSEMBLY POSITION WITHIN THE PLUG HOUSING WHEN SHIPPED TO THE CUSTOMER
2. THE RETENTION LATCH OF THE RETAINER MUST BE OUT SIDE OF PLUG HOUSING WHEN PRE-ASSEMBLY
3. RETAINER RETENTION FORCE FROM HOUSING : 20N MIN
4. INSTRUCTION SHEET NO : 411-5928
5. PART NUMBER OF CAP HOUSING TO BE MATED : SEE TABLE -1
6. APPLIED TERMINAL : SEE TABLE -2
7. RETAINER IS THE SAME COLOR AS HOUSING.

1. プラグハウジングにリテーナーを仮止して出荷する
2. 仮止時リテーナー突起がハウジングの外側に出ていること
3. リテーナーの仮止保持力は 20N 以上
4. 取扱説明書 NO : 411-5928
5. 嵌合相手型番は TABLE -1参照
6. 適用端子は TABLE -2参照
7. リテーナーはハウジング本体と同色とする。

THIS DRAWING IS A CONTROLLED DOCUMENT FOR TYCO ELECTRONICS CORPORATION IT IS SUBJECT TO CHANGE AND THE CONTROLLING ENGINEERING ORGANIZATION SHOULD BE CONTACTED FOR THE LATEST REVISION.

DIMENSIONS: 単位: 概 mm	TOLERANCES UNLESS OTHERWISE SPECIFIED: 一般公差=±0.3	DWN N.YASUDA 08MAR00	Tyco Electronics AMP K.K. Kawasaki, Japan
	0-PLC ±	CHK N.SAI 10MAR00	
	1-PLC ±0.1	APVD N.SAI 10MAR00	
MATERIAL 材料 PBT	FINISH 仕上 SEE TABLE-3	PRODUCT SPEC 製品規格 108-5668	NAME 名称 025 SERIES 24POSITION PLUG HOUSING ASSEMBLY
		APPLICATION SPEC 取付適用規格 114-5250	SIZE A3
		WEIGHT 3.68 g	CAGE CODE 00779
		CUSTOMER DRAWING	DRAWING NO C=1318917
			RESTRICTED TO
			SCALE 2:1
			SHEET 1
			OF 1
			REV C