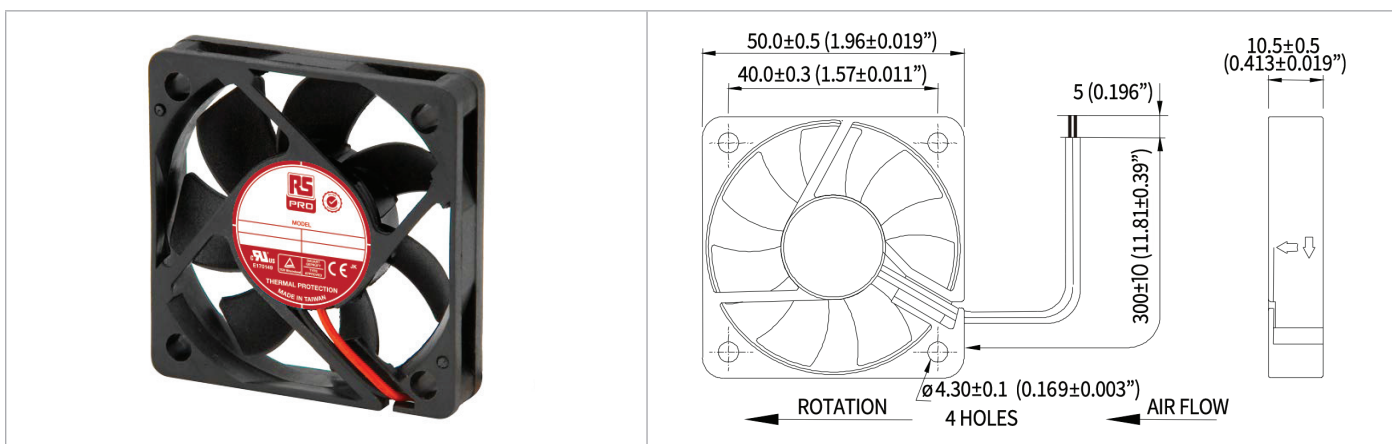




# Datasheet

## RS PRO DC Axial Fan 50×50×10mm

EN



<b>Frame &amp; Impeller</b>	PBT, UL94V-0 plastic	<u>Available Options</u> Tachometer Alarm 1442048 & 1442051 are IP55-rated <u>Life Expectancy (L10)</u> 60,000 hrs Ball <u>Operating Temperature</u> -10C - 70C Weight = 18g	
<b>Connection</b>	2x Lead wires (~290mm) 26AWG		
<b>Motor</b>	Brushless DC, auto restart, polarity protected		
<b>Bearing System</b>	Dual Ball		
<b>Insulation Resistance</b>	10M ohm between leadwire and frame (500VDC)		
<b>Dielectric Strength</b>	1 minute at 500 VAC, max leakage < 500 MicroAmp		

Model Number	Speed RPM	Airflow (CFM)	Noise (dB)	Volts DC	Input Power (Watts)	Amps	Max. Static Pressure (\"H <sub>2</sub> O)
1442046	3900	9	20	5	0.45	0.10	0.06
1442047	4600	10	25	5	0.75	0.15	0.10
1442048	4600	10	25	5	0.75	0.15	0.10
1442049	3900	9	20	12	0.96	0.08	0.06
1442050	4600	10	25	12	1.08	0.09	0.10
1442051	4600	10	25	12	1.08	0.09	0.10