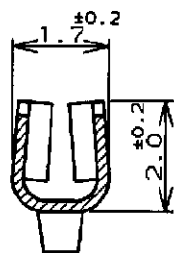
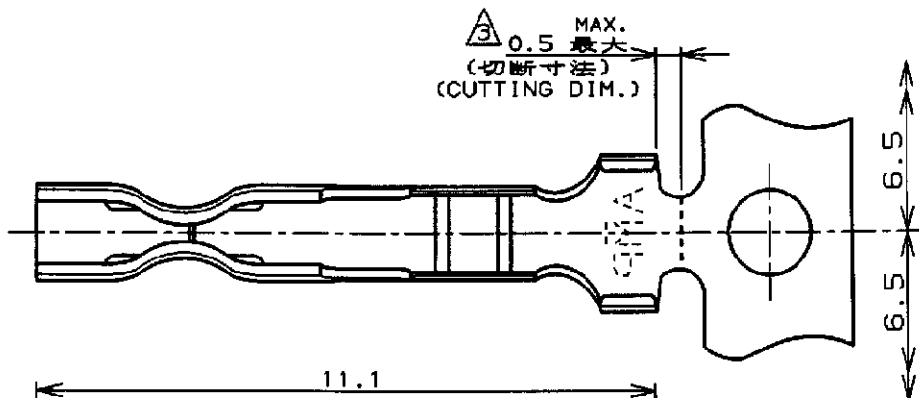
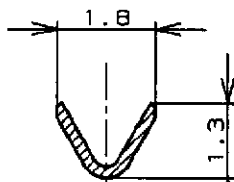
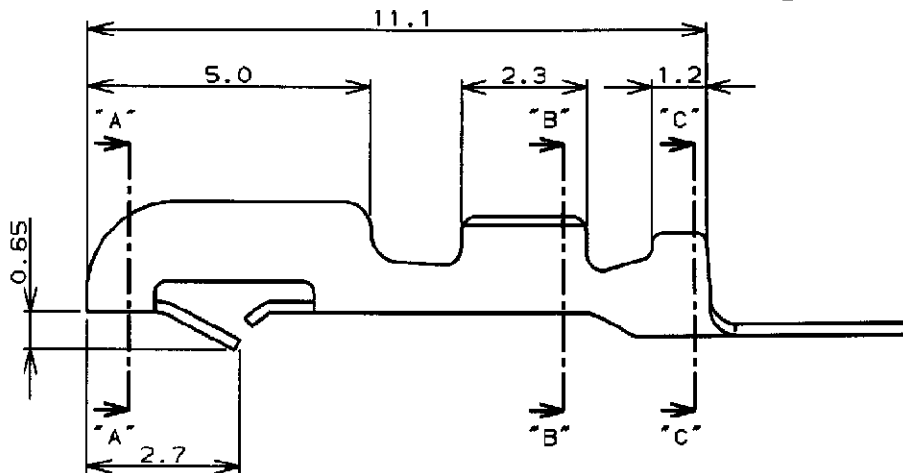


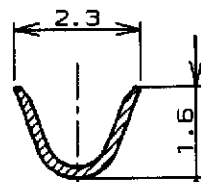
LOC	DIST	REVISIONS						
		P	LTR	DESCRIPTION	ECN	DATE	DWN	APVD
J			A	REDRAWN	FJ00-1640-97	31.OCT.97	H.H	S.K



断面 "A"- "A"
SECT.



断面 "B"- "B"
SECT.



断面 "C"- "C"
SECT.

NOTES:

1. HOUSINGS, P/N:171822 AND 171880 ARE USED.
2. L/P CONTACT P/N:170205-3.
- ③ HAND TOOL P/N:722561-1.

注記:

1. 使用ハウジングは製品型番:171822及び171880.
2. L/P端子 製品型番:170205-3.
- ③ 適用手動工具 製品型番:722561-1.

THIS DRAWING IS UNPUBLISHED.
BY AMP INCORPORATED. ALL RIGHTS RESERVED.
COPYRIGHT 19

WIRE RANGE 包含電線断面積 0.05~0.15mm ² (AWG30~26)	INSULATION DIA 被覆外径 1.0~1.4mm
--	-------------------------------------

MATERIAL PHOS BR 材料 0.2mm THICKNESS	FINISH 仕上 GOLD PLATING
--	---------------------------

AMP 日本エー・エム・ピー株式会社
Kawasaki, Japan

NAME 名称	CONTACT (AMP EI SERIES CONNECTOR)	
------------	-----------------------------------	--

SIZE	CAGE CODE	DRAWING NO 番号
A	00779	C-170263-3

DIMENSIONS:
単位 純
mm

TOLERANCES UNLESS OTHERWISE SPECIFIED:

一般公差

10%	±0.4
50%	±0.4
100%	±0.4
ANGLE	±1°0'

WGT
—

CUSTOMER DRAWING

DWN
H. Hoshino 31.OCT.97

CHK
A. Tomiyama 31.OCT.97

APVD
S. Kobayashi 31.OCT.97

PRODUCT SPEC
製品規格
108-5118

APPLICATION SPEC
取付適用規格
114-5035

SCALE 尺度	8-1	SHEET	1	OF	1	REV	A
-------------	-----	-------	---	----	---	-----	---