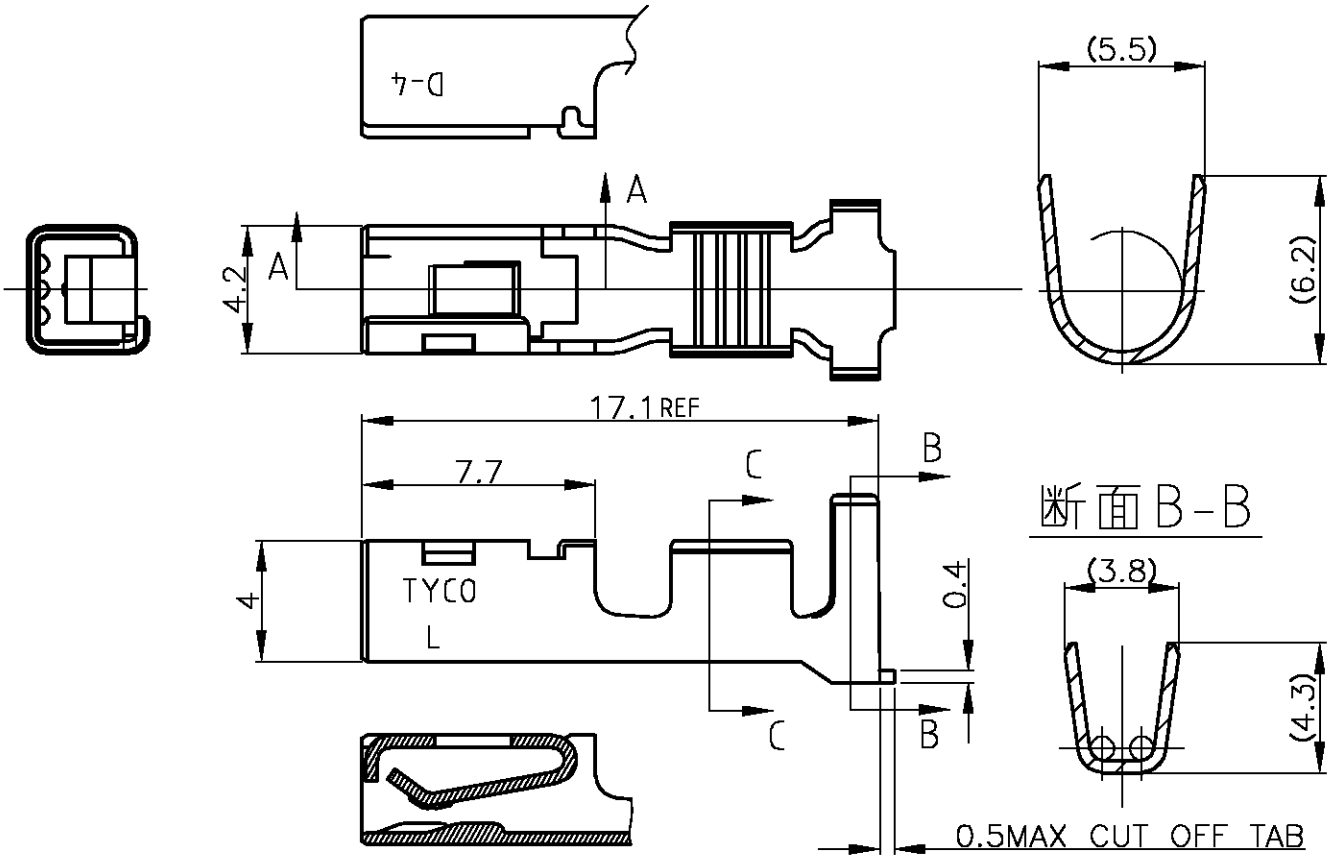


LOC J	DIST —	REVISIONS 変更			DATE	DWN	APVD
		P	LTR	DESCRIPTION			
		01	REVISED	ECR-07-000882	12JAN2007	T.K	D.M



- 注)
 1.一般公差：±0.25
 2.材料：銅合金全面Niめっき1.3μm以上
 接点部金めっき0.38μm以上めっき
 3.適用電線：AWG#14-#12(被覆外径φ2.9~φ4.1)

- NOTES)
 1.GENERAL TOLERANCE:±0.25
 2.MATERIAL:COPPER ALLOY,FINISH:OVER NI PLATING 1.3μm MIN.
 (CONTACT AREA) 0.38μm MIN GOLD PLATING
 3.APPLICABLE WIRE:AWG#14-#12 (INS DIAφ2.9~φ4.1)

L SIZE

1747498-2
PART NUMBER

THIS DRAWING IS UNPUBLISHED. ALL RIGHTS RESERVED. BY TYCO ELECTRONICS CORPORATION.

DIMENSIONS: 単位：特 MM TOLERANCES UNLESS OTHERWISE SPECIFIED: 一般公差 0 PLC ± - 1 PLC ± - 2 PLC ± - 3 PLC ± - 4 PLC ± - ANGLES ± - 	DWN T.KUDO	26AUG2004	MATERIAL 材料	COPPER ALLOY	FINISH 仕上	—	
	CHK D.MITSUGI	26AUG2004	Tyco Electronics AMP K.K. Kawasaki,Japan				
	APVD D.MITSUGI	26AUG2004					
	PRODUCT SPEC 製品規格 108-78182	NAME 名称 DYNAMIC D-4200 REC CONTACT L SIZE LOOSE PIECE					
APPLICATION SPEC 取付適用規格 114-5369	SIZE A4	CAGE CODE 00779	DRAWING NO 番号 1747498	RESTRICTED TO —			
WEIGHT —	CUSTOMER DRAWING			SCALE 尺度	4:1	SHEET 1 OF 1	REV 01