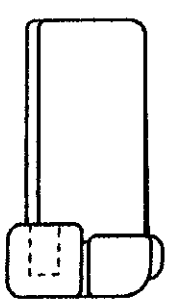
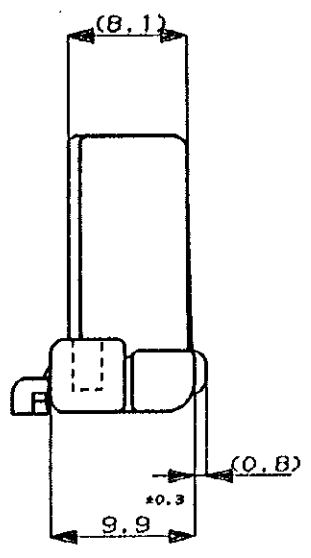
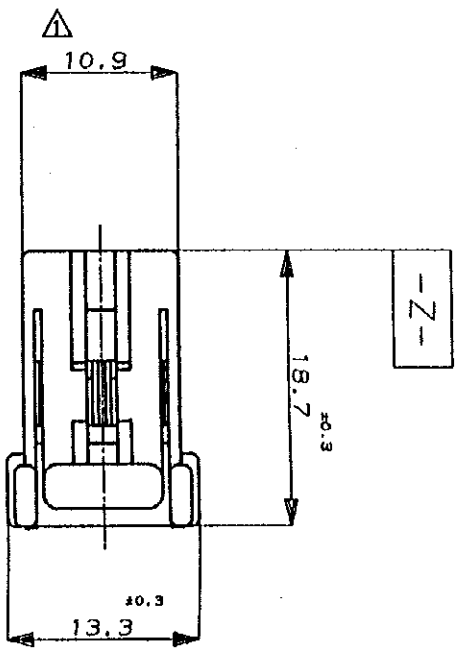
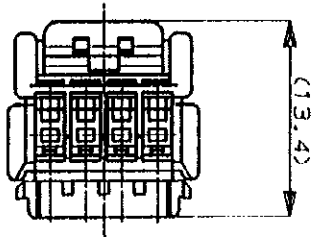


断面 A-A
SECT.



二重ロック時
DOUBLE LOCKED



- 注:
- ① **-Z-** 面から 2mmの範囲で測定。
 - ② 相手側ハウジング型番: 174967
 - ③ 運用端子型番: 173681

- NOTE:
- ① TO BE MEASURED WITHIN 2mm FROM **-Z-**
 - ② THE MATING CAP HOUSING PART NUMBER: 174967
 - ③ APPLICABLE CONTACT PART NUMBER: 173681

LTR	REVISION RECORD	DR	CHK	DATE
0	RELEASED	CT	YM	5/13/88
A	REVISED FJ00-0480-93	S.S	KO	5/10/88
B	REVISED FJ00-0507-93	S.S	KO	5/10/88

Copyright ©1988 AMP (Japan), LTD. ALL RIGHTS RESERVED.	Copyright ©1988 AMP (Japan), LTD. ALL RIGHTS RESERVED.	色 (COLOR) PBT DR. C. TAGUCHI 5/13/88	色 (COLOR) PBT DR. C. TAGUCHI 5/13/88	色 (COLOR) PBT DR. C. TAGUCHI 5/13/88	色 (COLOR) PBT DR. C. TAGUCHI 5/13/88
AMP (JAPAN), LTD. Tokyo, Japan	AMP (JAPAN), LTD. Tokyo, Japan	AMP (JAPAN), LTD. Tokyo, Japan	AMP (JAPAN), LTD. Tokyo, Japan	AMP (JAPAN), LTD. Tokyo, Japan	AMP (JAPAN), LTD. Tokyo, Japan

③ 青 (BLUE)	174966-5
② 緑 (GREEN)	174966-4
① 黒 (BLACK)	174966-2

AMP

AMP (JAPAN), LTD.
Tokyo, Japan

CUSTOMER DRAWING 参考図面

AMP-J 07/89