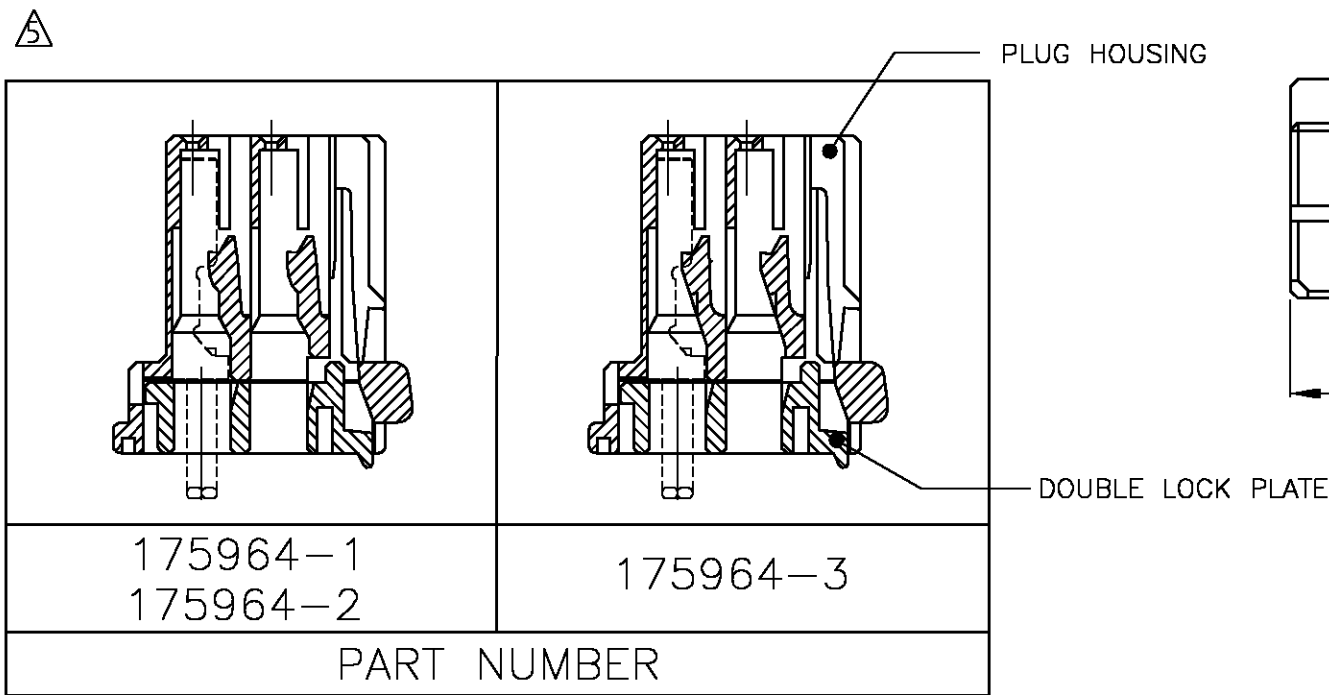
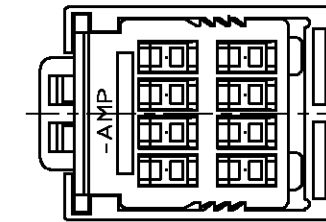
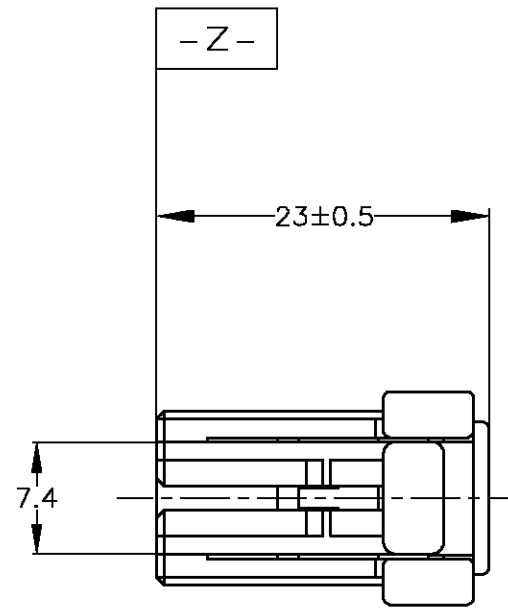
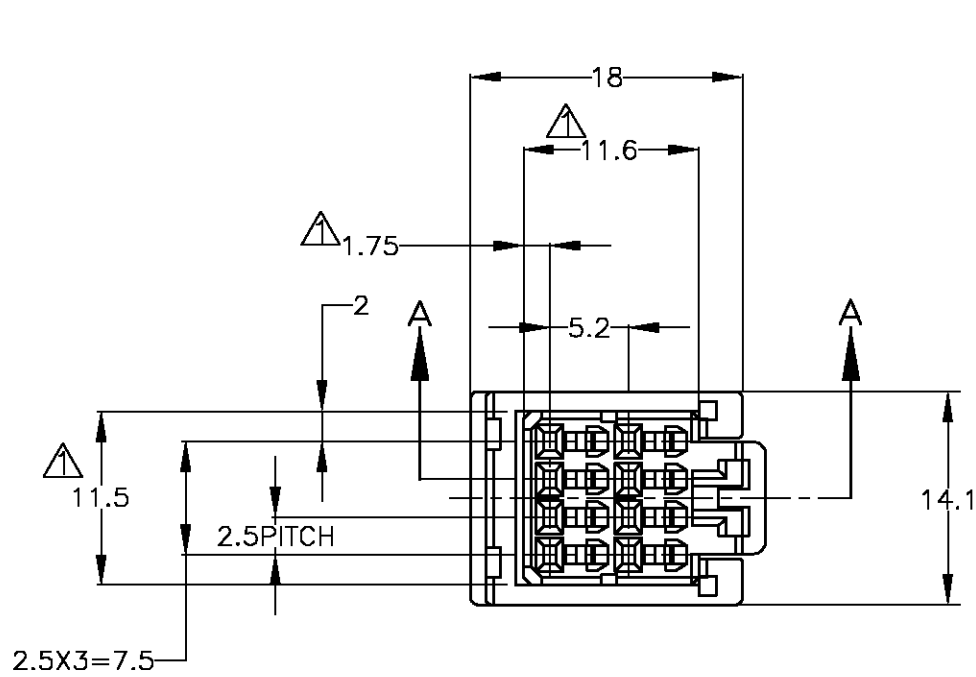


THIS DRAWING IS UNPUBLISHED. RELEASED FOR PUBLICATION  
 © COPYRIGHT BY TYCO ELECTRONICS CORPORATION. ALL RIGHTS RESERVED.

LOC	DIST	REVISIONS					
J	—	P	LTR	DESCRIPTION	DATE	DWN	APVD
		A		ADDED -3 FJA0-0363-04	31AUG04	SS	YF



- △ MUST BE KEPT BETWEEN [-Z-] AND 2mm
- 2. THE MATING CAP HSG. PART NUMBER; 175973
- 3. APPLIED CONTACT PART NUMBER; 173681
- 4. APPLICABLE PRODUCT SPEC NO; 108-5281
- △ THIS PLUG HOUSING HAVE TWO KINDS OF LANCE TYPE.

- △ [-Z-] 面より2mmの範囲で測定。
- 2. 嵌合相手ハウジング型番：175973
- 3. 内装するリセプタクルコンタクト型番：173681
- 4. 適用製品規格番号：108-5281
- △ 本プラグハウジングは、2タイプのランス形状がある。

BLACK	175964-3
BLACK	175964-2
GRAY	175964-1
COLOR	PART NUMBER

TOLERANCE UNLESS OTHERWISE SPECIFIED: 一般公差

0 < x ≤ 10	: ±0.2
10 < x ≤ 30	: ±0.25
30 < x ≤ 100	: ±0.3
ANGLE ; 角度	: ±3°

THIS DRAWING IS A CONTROLLED DOCUMENT.		DWN A.YAMAGUCHI 23JUN04	Tyco Electronics AMP K.K. Kawasaki, Japan	
DIMENSIONS: 単位: 耗 mm	TOLERANCES UNLESS OTHERWISE SPECIFIED: 一般公差	CHK K.BETSUI 23JUN04	NAME 名称 040 SERIES MULTILOCK I/O CONNECTOR MK-II 8POSITION PLUG HOUSING ASSEMBLY	
	0 PLC ±-	APVD K.BETSUI 23JUN04	PRODUCT SPEC 製品規格 108-5281	
	1 PLC ±-	APPLICATION SPEC 取付適用規格	SIZE A3	CAGE CODE 00779
MATERIAL 材料 PBT	FINISH 仕上 COLOR HOUSING; SEE TABLE PLATE; NATURAL	WEIGHT 2.5 g	DRAWING NO 番号 C-175964	RESTRICTED TO —
CUSTOMER DRAWING			SCALE 尺度 2:1	SHEET 1 OF 1