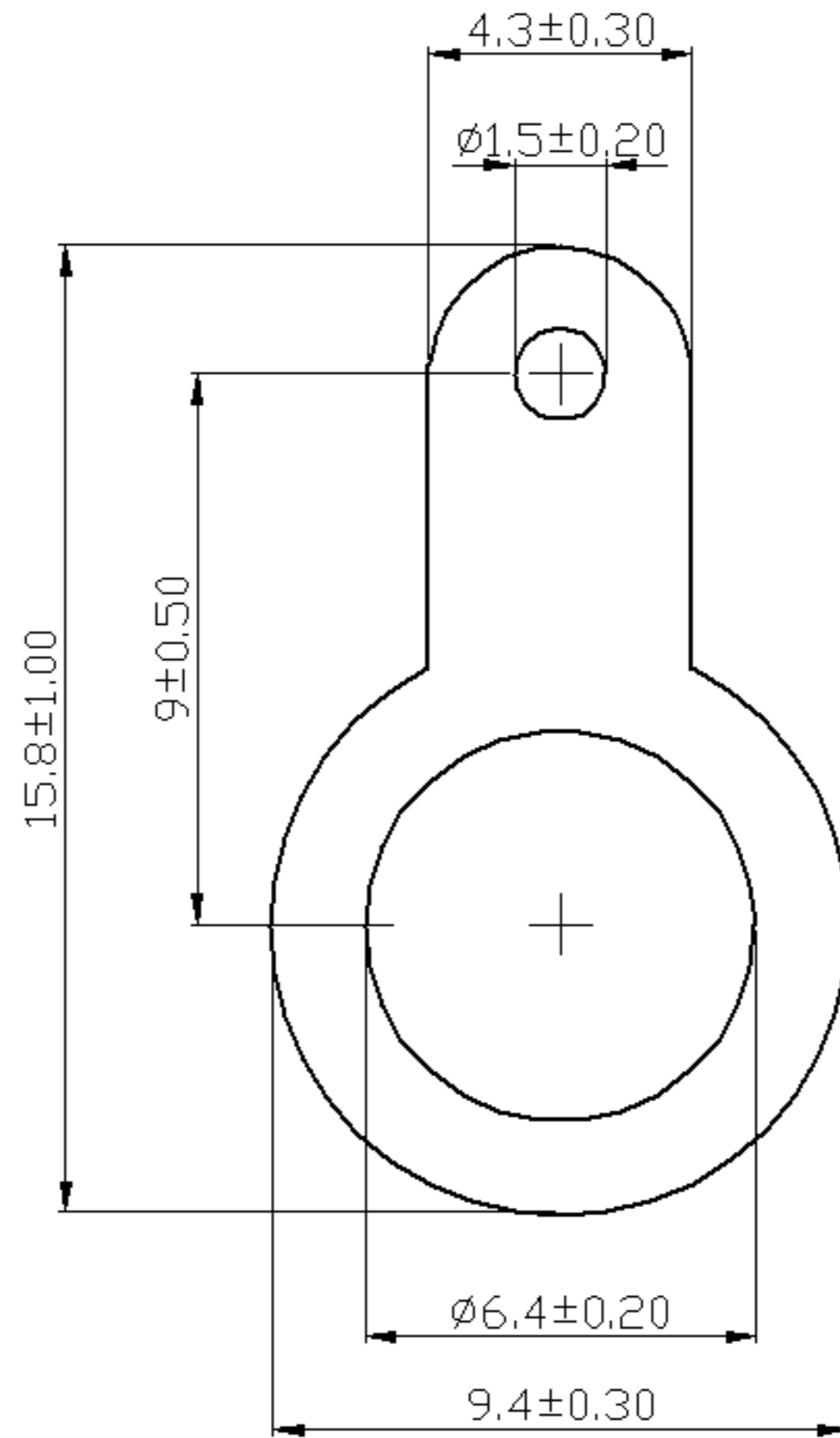


A B C D E F G H

| REV | DESCRIPTION | DATE |
|-----|-------------|------|
|-----|-------------|------|



RS NO. 1867826

*. THICKNESS : 0.35 mm

*. SURFACE TREATMENT : TIN PLATED

| Tolerance Unless Otherwise Specified | |
|---|----------|
| 0 > 6 mm ± 0.20 | ANGLE |
| 6 > 18 mm ± 0.30 | 0° REF ± |
| 18 > 30 mm ± 0.40 | ° ± |
| 30 > 75 mm ± 0.50 | ° ± |

A B C D E F G H