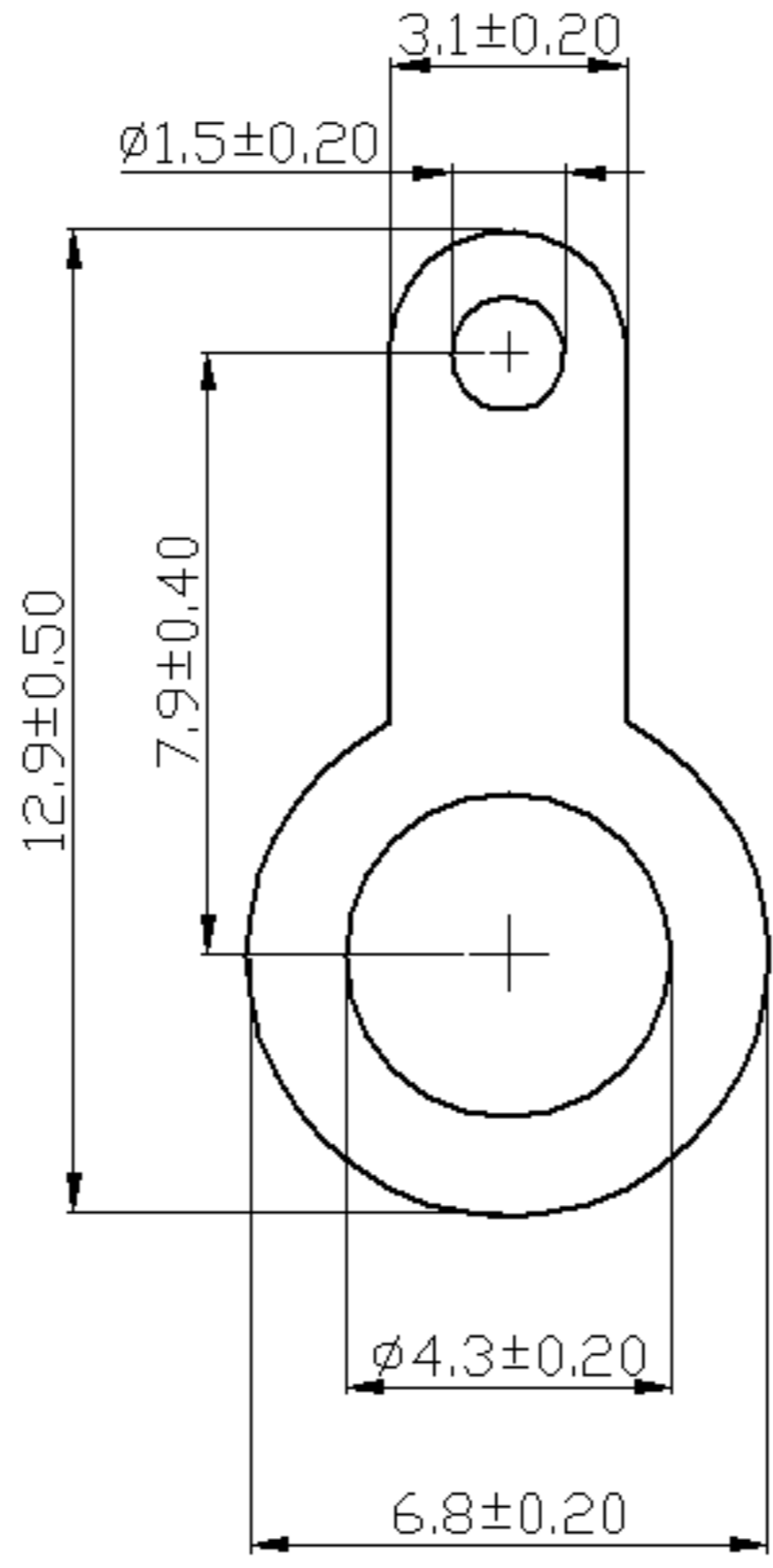


REV	DESCRIPTION	DATE
-----	-------------	------



RS NO. 1867848

*. THICKNESS : 0.35 mm

*. SURFACE TREATMENT : TIN PLATED

Tolerance Unless Otherwise Specified	
0 > 6 mm ± 0.20	ANGLE
6 > 18 mm ± 0.30	0° ° REF ±
18 > 30 mm ± 0.40	° ° ±
30 > 75 mm ± 0.50	° ° ±