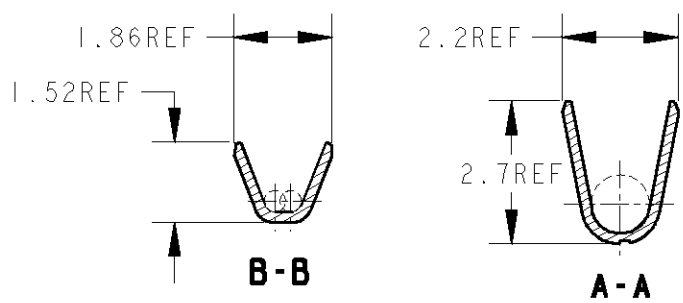
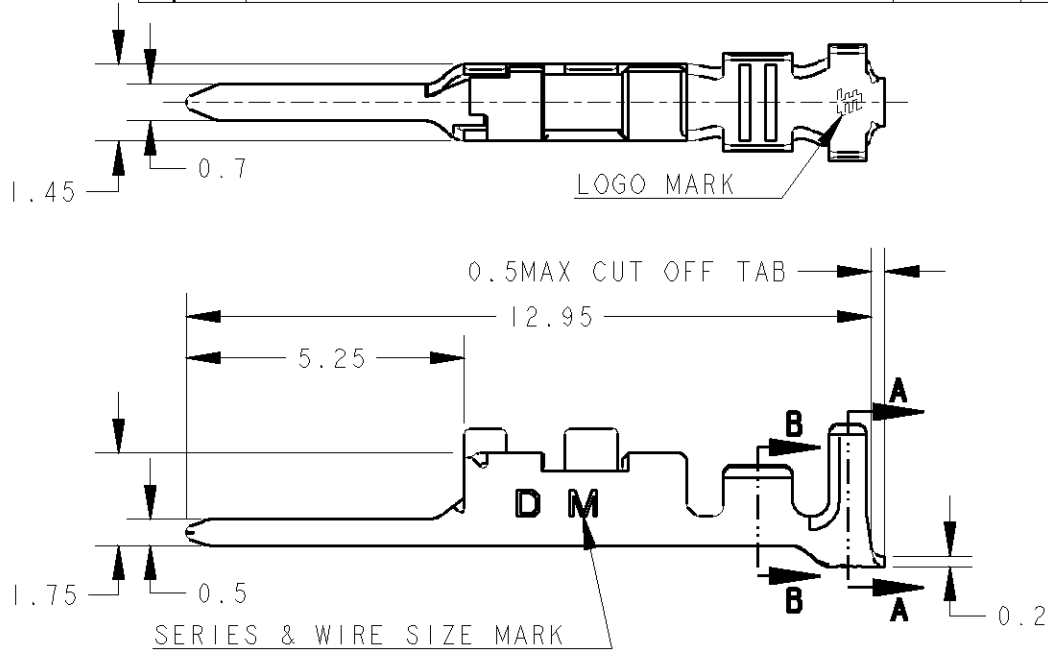


LOC J	DIST	REVISIONS 変更					
		P	LTR	DESCRIPTION	DATE	DWN	APVD
			B	REVISED PER ECR-10-010439	07JUN2010	HMR	T.M



1. THE SHAPE, SIZE AND POSITION OF THE CHARACTER SHOW THE OUTLINE. THEY DON'T SHOW DETAILS.  
1. 文字の形状、大きさ、および位置については、大略を示すものであり、詳細を示すものではありません。

AS SHOWN: 1903116-2

⚠ COPPER ALLOY: FINISH; CONTACT AREA Au 0.38μmMIN, OVER Ni 1.27μmMIN ⚠ 銅合金: 下地; 全面ニッケルめっき1.27μm以上, 接点部; 金めっき0.38μm以上	1903116-2
MATERIAL (材料)	PART NO(型番)

2006  
 RELEASED FOR PUBLICATION  
 BY TYCO ELECTRONICS CORPORATION. ALL INTERNATIONAL RIGHTS RESERVED.  
 THIS DRAWING IS UNPUBLISHED.  
 COPYRIGHT 2006

DIMENSIONS: 単位: 耗 mm	DWN M. MAEBASHI 11APR2006	WIRE RANGE 総合電線断面積 mm <sup>2</sup> 0.08~0.38 AWG#28~#22	INSULATION DIA 被覆外径 φ1.08~φ1.6
TOLERANCES UNLESS OTHERWISE SPECIFIED: 一般公差 ±0.3, ±3° 0 PLC ± 1 PLC ± 2 PLC ± 3 PLC ± 4 PLC ± ANGLES ±	CHK T. KUDO 11APR2006	MATERIAL 材料	FINISH 仕上
PRODUCT SPEC 製品規格 108-78268	APVD D. MITSUGI 11APR2006	Tyco Electronics Corporation Kawasaki, Japan	
APPLICATION SPEC 取付適用規格 114-5377	WEIGHT 0.075 g	NAME 名称 DYNAMIC DI000 SERIES TAB CONTACT Au, M-TYPE L/P	
CUSTOMER DRAWING	SIZE A4	CAGE CODE 00779	DRAWING NO 番号 C-1903116
SCALE 尺度 7:1	SHEET 1	OF 1	REV B