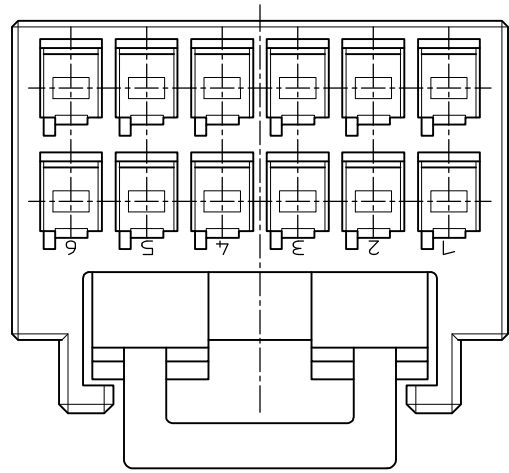
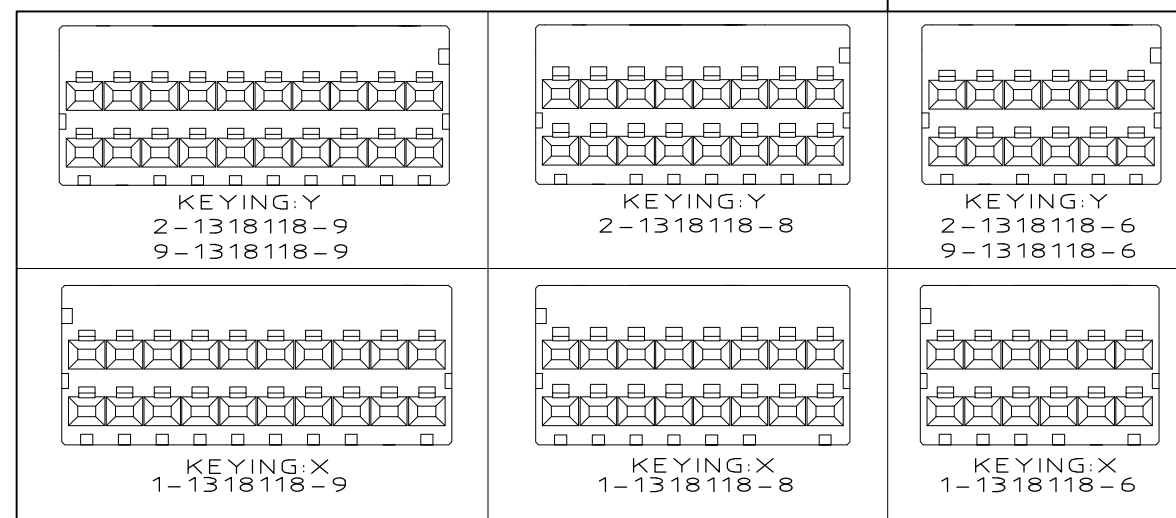
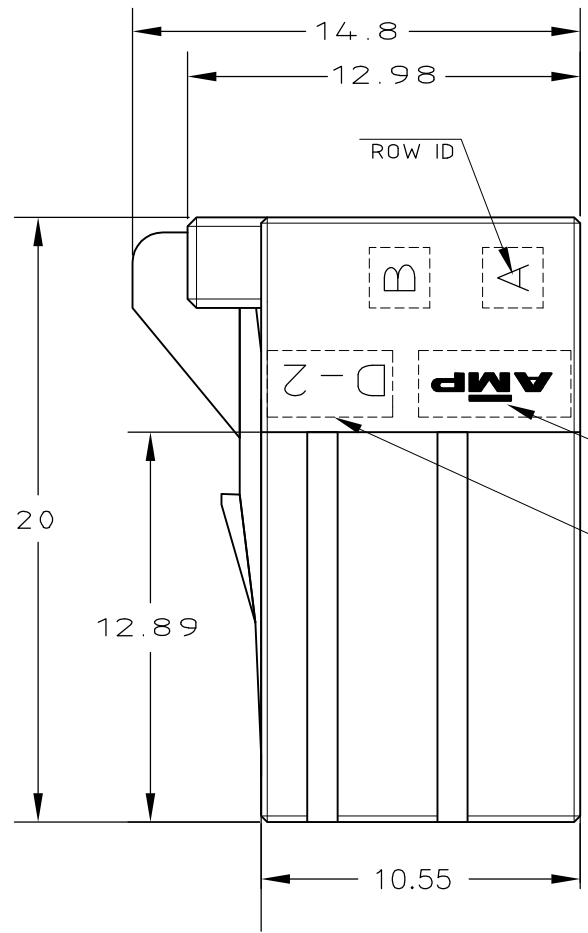
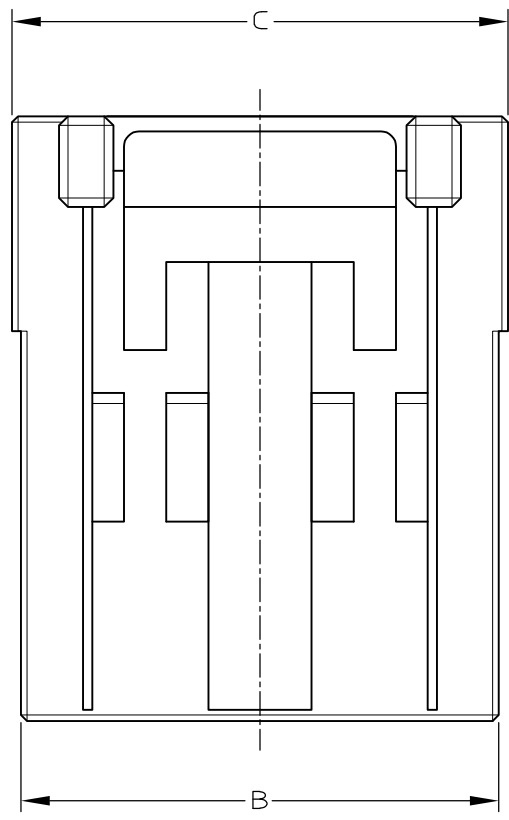


THIS DRAWING IS UNPUBLISHED. RELEASED FOR PUBLICATION
 © COPYRIGHT 2011 APR BY Tyco Electronics Japan G.K. ALL RIGHTS RESERVED.

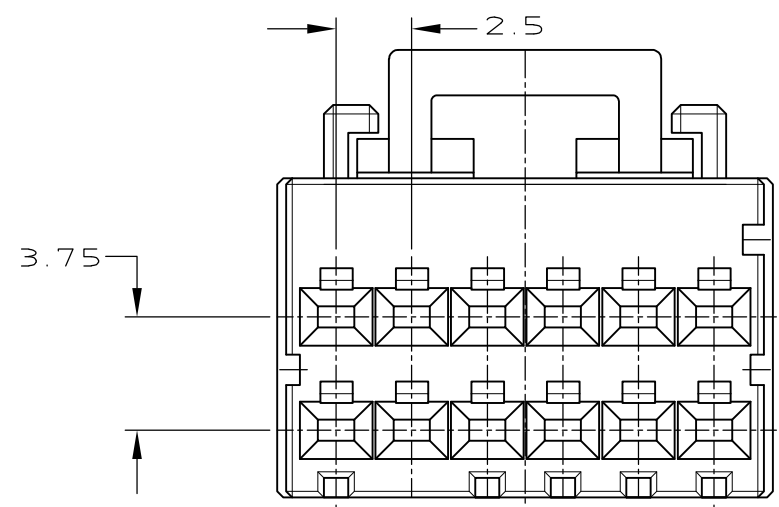
LOC	DIST	REVISIONS			
P	LTR	DESCRIPTION	DATE	DWN	APVD
J					
	D	REVISED	25 APR 11	MM	NY



NOTES
 1 MATERIAL: HOUSING: GLASS FILLED THERMO PLASTIC, POLYESTER(94V-0), COLOR: 1-2- : BLACK, 9- : NATURAL
 2 TO COAT ALL SURFACE OF HOUSING WITH TEFLON



OBSOLETE	FINISH	NET WEIGHT(g)	C	B	A	N	POS	PART NUMBER
1	2	5.58	26.4	25.8	22.5	9	20	5-1318118-9
-	-	5.58	26.4	25.8	22.5	9	20	9-1318118-9 2-1318118-9
-	-	5.58	26.4	25.8	22.5	9	20	1-1318118-9
-	-	4.69	21.4	20.8	17.5	7	16	2-1318118-8
-	-	4.69	21.4	20.8	17.5	7	16	1-1318118-8
1	2	3.8	16.4	15.8	12.5	5	12	5-1318118-6
-	-	3.8	16.4	15.8	12.5	5	12	3-1318118-6
-	-	3.8	16.4	15.8	12.5	5	12	9-1318118-6 2-1318118-6
-	-	3.8	16.4	15.8	12.5	5	12	1-1318118-6



KEY LOCATION VIEW
 2-1318118-6
 9-1318118-6
 (KEYING Y)

DIMENSIONS: mm		TOLERANCES UNLESS OTHERWISE SPECIFIED		DWN K.IKEDA 7/DEC/'98		TE Connectivity	
		10: ±0.3 30: >10 : ±0.35 100: >30 : ±0.4 ANGLE: ±3'		CHK N.MATSUBARA 7/DEC/'98			
MATERIAL 1		FINISH		APVD I.HASEGAWA 7/DEC/'98		NAME	
				PRODUCT SPEC		DOUBLE ROW REC HSG <DYNAMIC D-2100D>	
				APPLICATION SPEC		DRAWING NO	
				108-5619		RESTRICTED TO	
				114-5258		-	
				WEIGHT		SCALE 4-1 SHEET 1 OF 1 REV D	
				CUSTOMER DRAWING		SIZE CAGE CODE DRAWING NO	
				A3 00779		C-1318118	