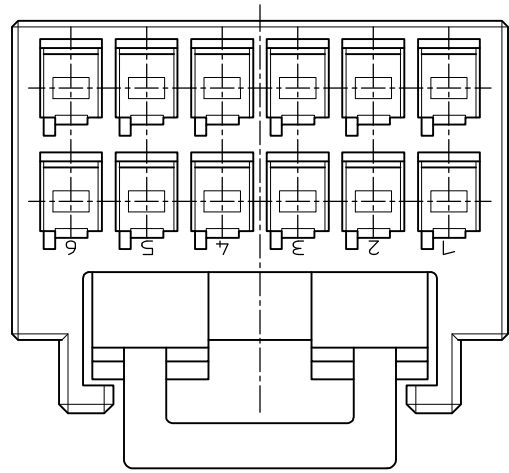
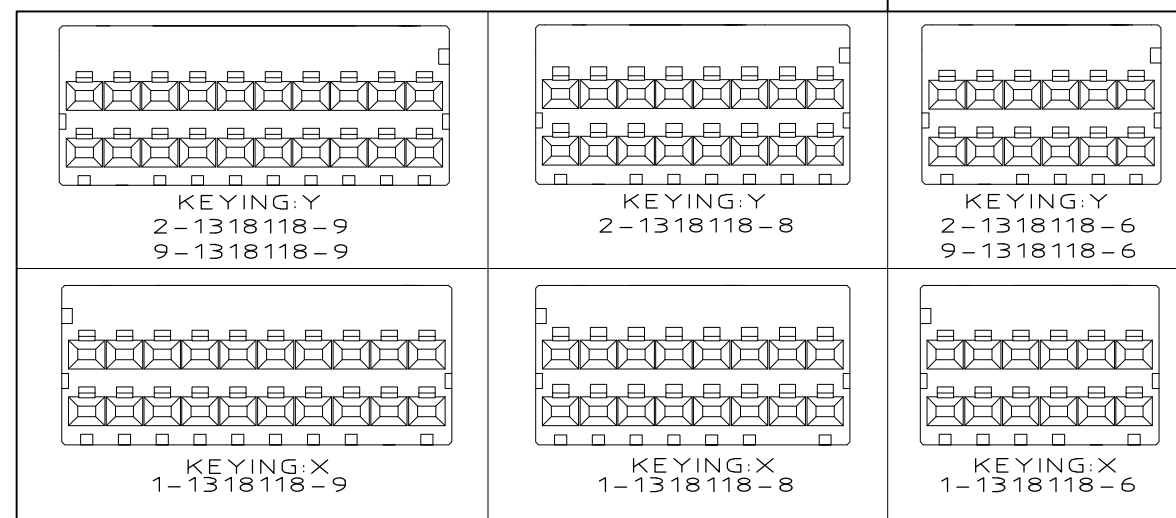
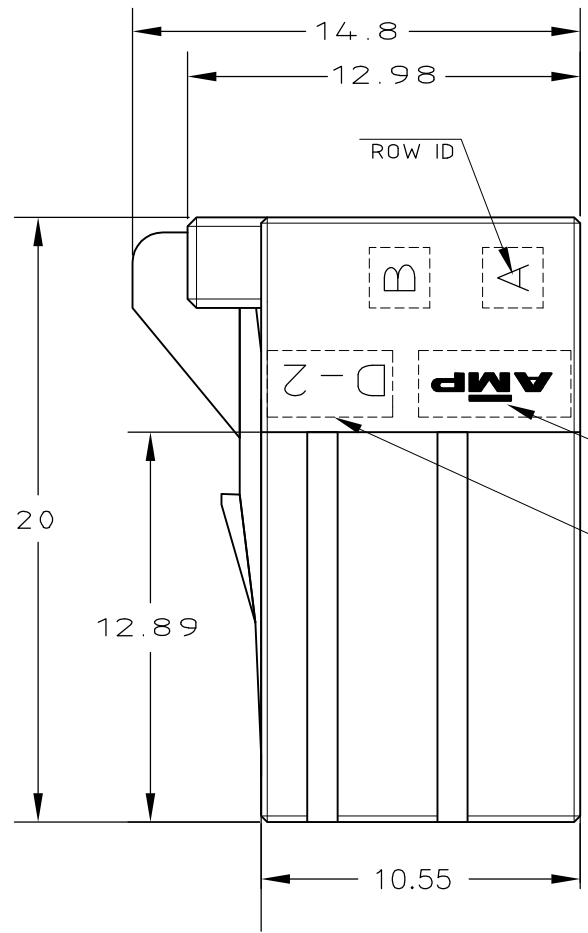
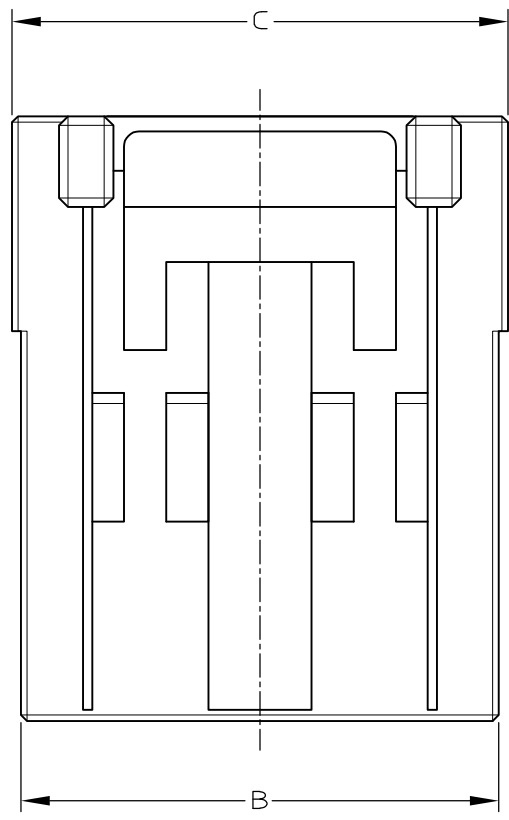


THIS DRAWING IS UNPUBLISHED. RELEASED FOR PUBLICATION  
 © COPYRIGHT 2011 APR BY Tyco Electronics Japan G.K. ALL RIGHTS RESERVED.

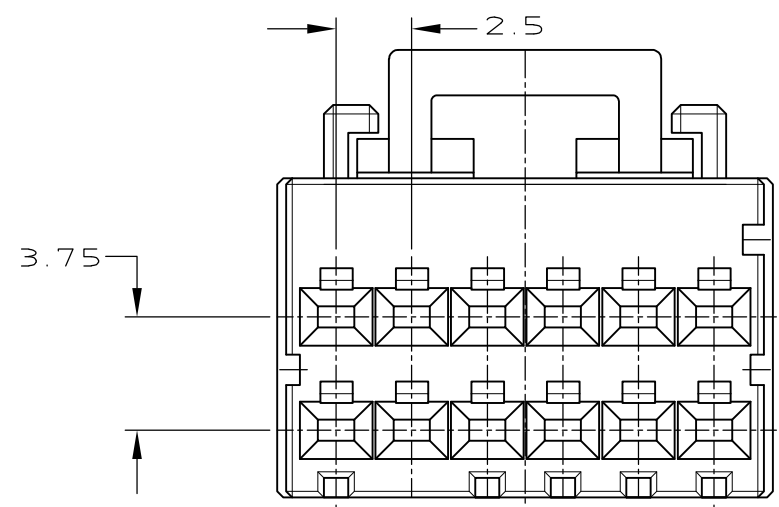
LOC	DIST	REVISIONS			
P	LTR	DESCRIPTION	DATE	DWN	APVD
J		D REVISED	25 APR 11	MM	NY



NOTES  
 1 MATERIAL: HOUSING: GLASS FILLED THERMO PLASTIC  
 POLYESTER(94V-0),  
 COLOR: 1-2- : BLACK  
 : 9- : NATURAL  
 TO COAT ALL SURFACE OF HOUSING WITH TEFLON



OBSOLETE	FINISH	NET WEIGHT(g)	C	B	A	N	POS	PART NUMBER
<del>1</del>	<del>2</del>	<del>5.58</del>	<del>26.4</del>	<del>25.8</del>	<del>22.5</del>	<del>9</del>	<del>20</del>	<del>5-1318118-9</del>
-	-	5.58	26.4	25.8	22.5	9	20	9-1318118-9 2-1318118-9
-	-	5.58	26.4	25.8	22.5	9	20	1-1318118-9
-	-	4.69	21.4	20.8	17.5	7	16	2-1318118-8
-	-	4.69	21.4	20.8	17.5	7	16	1-1318118-8
<del>1</del>	<del>2</del>	<del>3.8</del>	<del>16.4</del>	<del>15.8</del>	<del>12.5</del>	<del>5</del>	<del>12</del>	<del>5-1318118-6</del>
-	-	3.8	16.4	15.8	12.5	5	12	3-1318118-6
-	-	3.8	16.4	15.8	12.5	5	12	9-1318118-6 2-1318118-6
-	-	3.8	16.4	15.8	12.5	5	12	1-1318118-6



KEY LOCATION VIEW  
 2-1318118-6  
 9-1318118-6  
 (KEYING Y)

DIMENSIONS: mm	TOLERANCES UNLESS OTHERWISE SPECIFIED 10: ±0.3 30: >10 : ±0.35 100: >30 : ±0.4 ANGLE: ±3'	DWN K.IKEDA 7/DEC/'98	TE Connectivity
		CHK N.MATSUBARA 7/DEC/'98	
MATERIAL 1	FINISH	APVD I.HASEGAWA 7/DEC/'98	DOUBLE ROW REC HSG <DYNAMIC D-2100D>
		PRODUCT SPEC	RESTRICTED TO
108-5619		114-5258	SIZE A3 CAGE CODE 00779 DRAWING NO C-1318118
CUSTOMER DRAWING		SCALE 4-1	SHEET 1 OF 1 REV D