

4

3

2

1

THIS DRAWING IS UNPUBLISHED.

RELEASED FOR PUBLICATION

© COPYRIGHT -

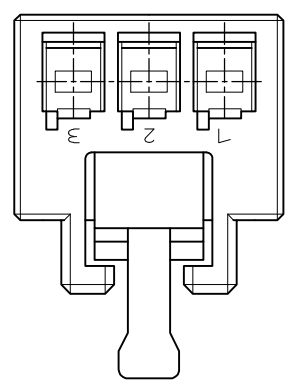
ALL RIGHTS RESERVED.

LOC J
DIST

REVISIONS

変更

P	LTR	DESCRIPTION	DATE	DWN	APVD
	B2	REVISED PER ECO-11-005030	21MAR11	RK	HMR



注記

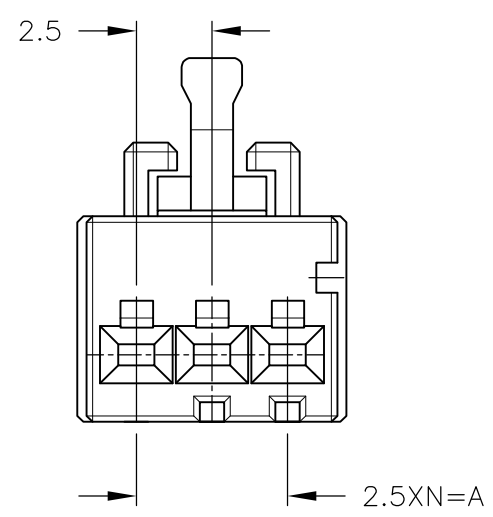
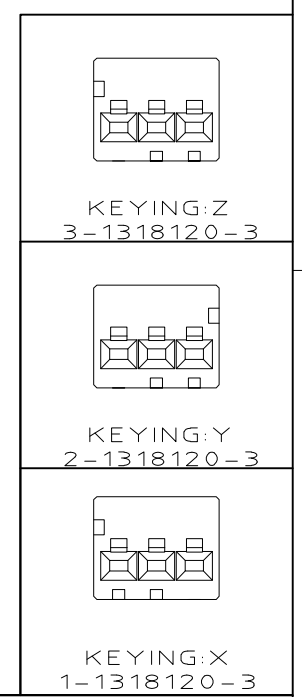
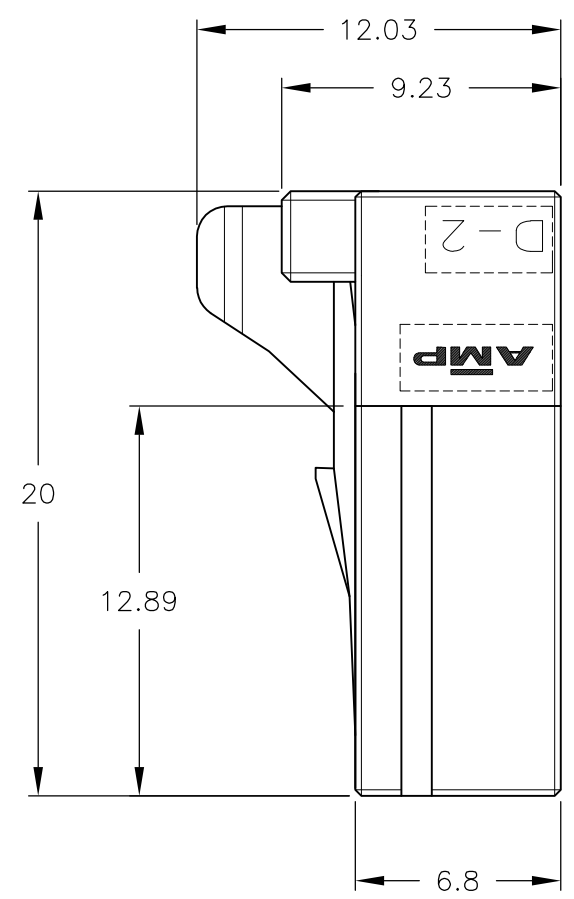
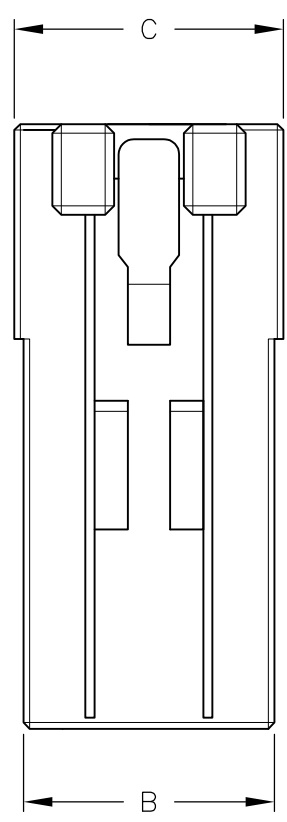
① 材料: ハウジング: ガラス入り熱可塑性ポリエステル樹脂 (94V-0), 色: 黒

~~② ハウジング全面にテフロン塗装のこと~~

NOTES

① MATERIAL: HOUSING: GLASS FILED THERMO PLASTIC, POLYESTER(94V-0), COLOR: BLACK

~~② TO COAT ALL SURFACE OF HOUSING WITH TEFLON~~



OBSOLETE	②	8.9	8.3	5	2	3	3-1318120-3
	②	8.9	8.3	5	2	3	5-1318120-3
	-	8.9	8.3	5	2	3	2-1318120-3
	-	8.9	8.3	5	2	3	1-1318120-3
FINISH		C	B	A	N	POS	PART NUMBER

DWN K.IKEDA 7/DEC/98		STE TE Connectivity	
CHK N.MATSUBARA 7/DEC/98			
APVD I.HASEGAWA 7/DEC/98		1列 リセハウジング	
PRODUCT SPEC 製品規格 108-5619		SINGLE ROW	
APPLICATION SPEC 取付適用規格 114-5258		<DYNAMIC D-2100D>	
WEIGHT		SIZE A3	CAGE CODE 00779
MATERIAL ①		DRAWING NO. C-1318120	
FINISH		RESTRICTED TO -	
CUSTOMER DRAWING		SCALE 4-1	SHEET 1 OF 1
		REV B2	

顧客用図面