

THIS DRAWING IS UNPUBLISHED. RELEASED FOR PUBLICATION, 1996
 © COPYRIGHT 1996 BY AMP INCORPORATED, ALL RIGHTS RESERVED.

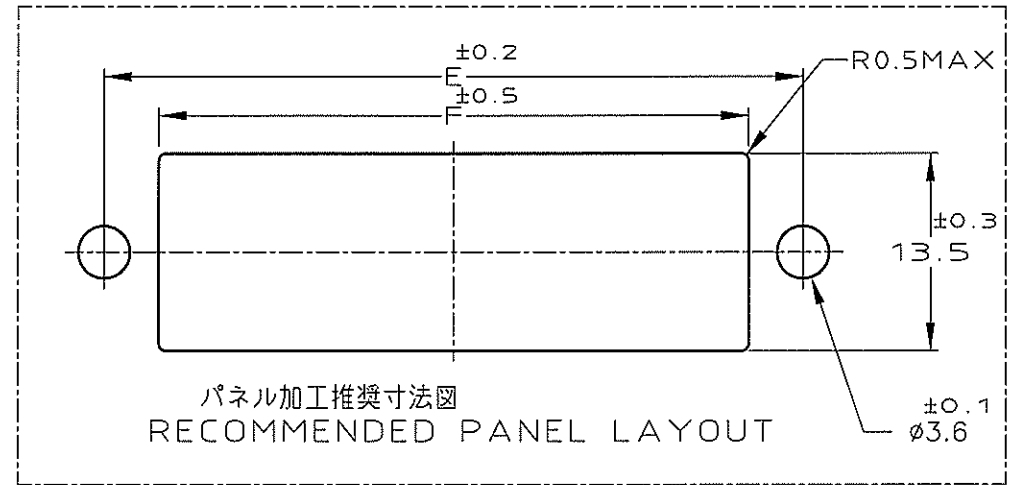
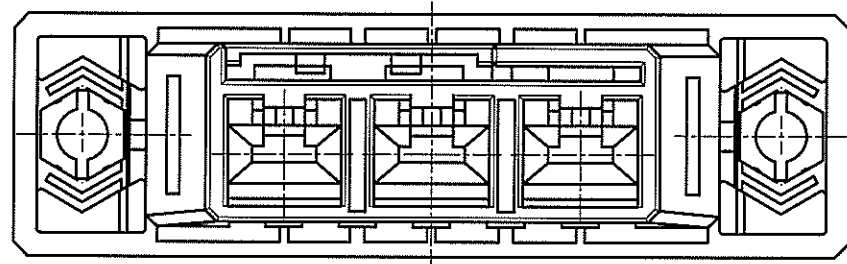
LOC		DIST		REVISIONS					
P	LTR	DESCRIPTION	ECN	DATE	DWN	APVD			
	C	REVISED	FJ00-1335-97	5/SEP '97	K.I.I.H				
	C1	ADD P/N.	FJ00-1259-00	11/OCT '00	D.M.S.M				
	D	REVISED	FJD0-0108-04	29/MAR '04	T.S.D.M				
	E	REVISED	FJD0-0381-04	20/OCT '04	T.S.D.M				
	E1	OBSOLETE P/N.	ECR-08-006764	14/MAR 2008	Y.Y.D.M				

注記

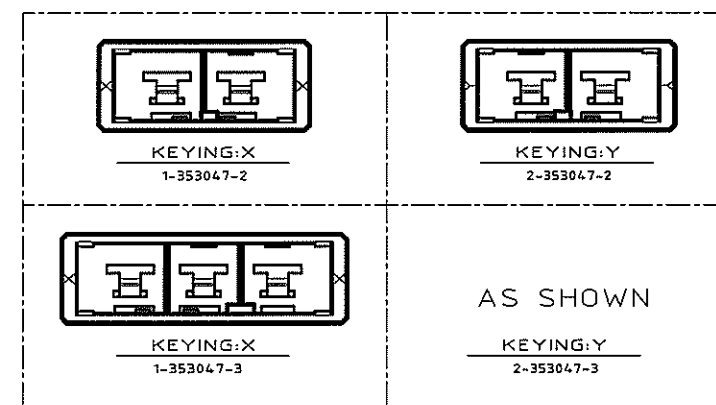
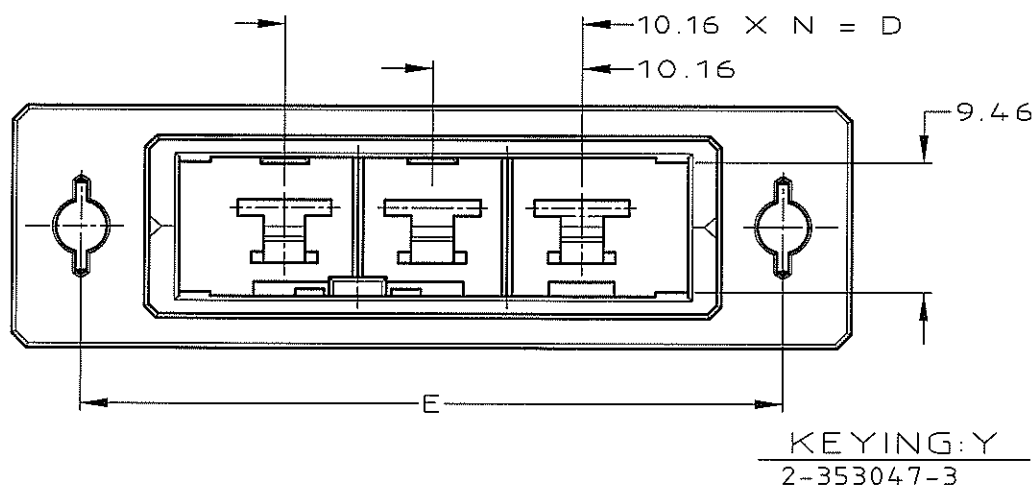
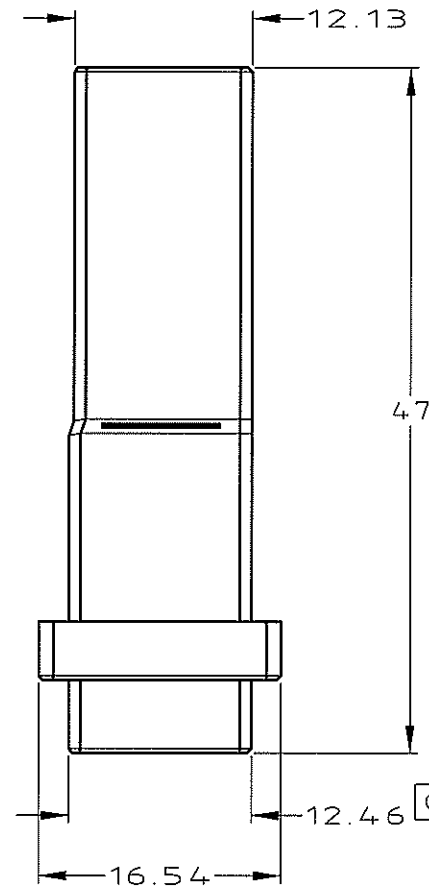
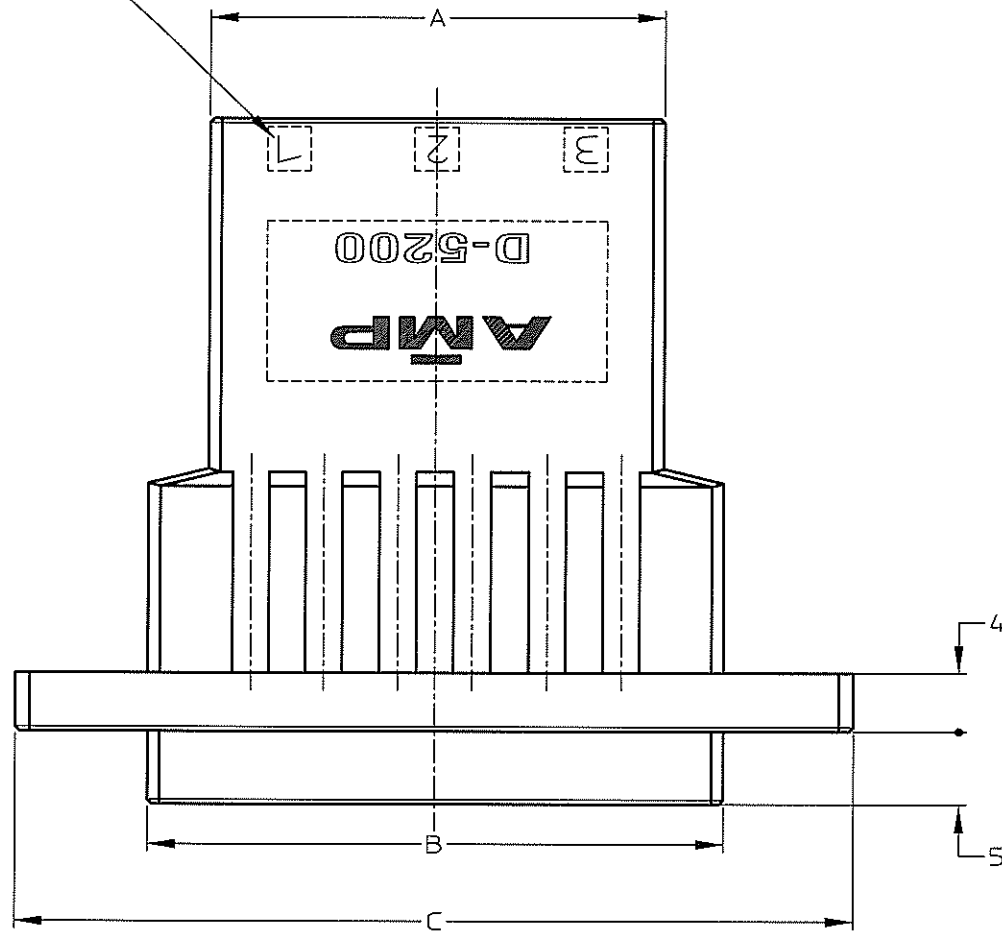
- △ 材料:ハウジング:ガラス入り熱可塑性ポリエステル樹脂(94-V-0),色:黒
- △ ハウジング全面にテフロン塗装のごと
- ③ パネル取付推奨ネジ M3

NOTES

- △ MATERIAL:HOUSING:GLASS FILED THERMO PLASTIC, POLYESTER(94-V-0),COLOR:BLACK
- △ TO COAT ALL SURFACE OF HOUSING WITH TEFLON
- ③ PANEL ATTACHMENT RECOMMENDATION M3 SCREW



CIRCUIT NO.
回路番号



FINISH	A	B	C	D	E	F	N	POS	P/N
	31.27	39.52	57	20.32	48	40.5	2	3	1-353047-3
									2-353047-3
									2-353047-2
	21.11	29.36	47	10.16	38	30.4	1	2	1-353047-2

THIS DRAWING IS A CONTROLLED DOCUMENT FOR AMP INCORPORATED. IT IS SUBJECT TO CHANGE AND THE CONTROLLING ENGINEERING ORGANIZATION SHOULD BE CONTACTED FOR THE LATEST REVISION.

APVD: K.IKEDA 16/MAY/'96
 CHK: Y.Ishikawa 16/MAY/'96
 S.Manabe 17/MAY/'96

PRODUCT SPEC: 108-5453
 APPLICATION SPEC: 114-5206
 WEIGHT: T1

WIRE RANGE: T1
 INSULATION DIA: T1

Tyco Electronics Corporation, Kawasaki, Japan

1列タブハウジング
 パネルマウントタイプ
 SINGLE ROW TAB HSG (PANEL MOUNT)
 <DYNAMIC D-5200 S>

SIZE: A3
 CAGE CODE: 00779
 DRAWING NO: C-353047

MATERIAL: △
 FINISH: 位上

CUSTOMER DRAWING
 SCALE: 2-1
 SHEET: 1 OF 1
 REV: E1