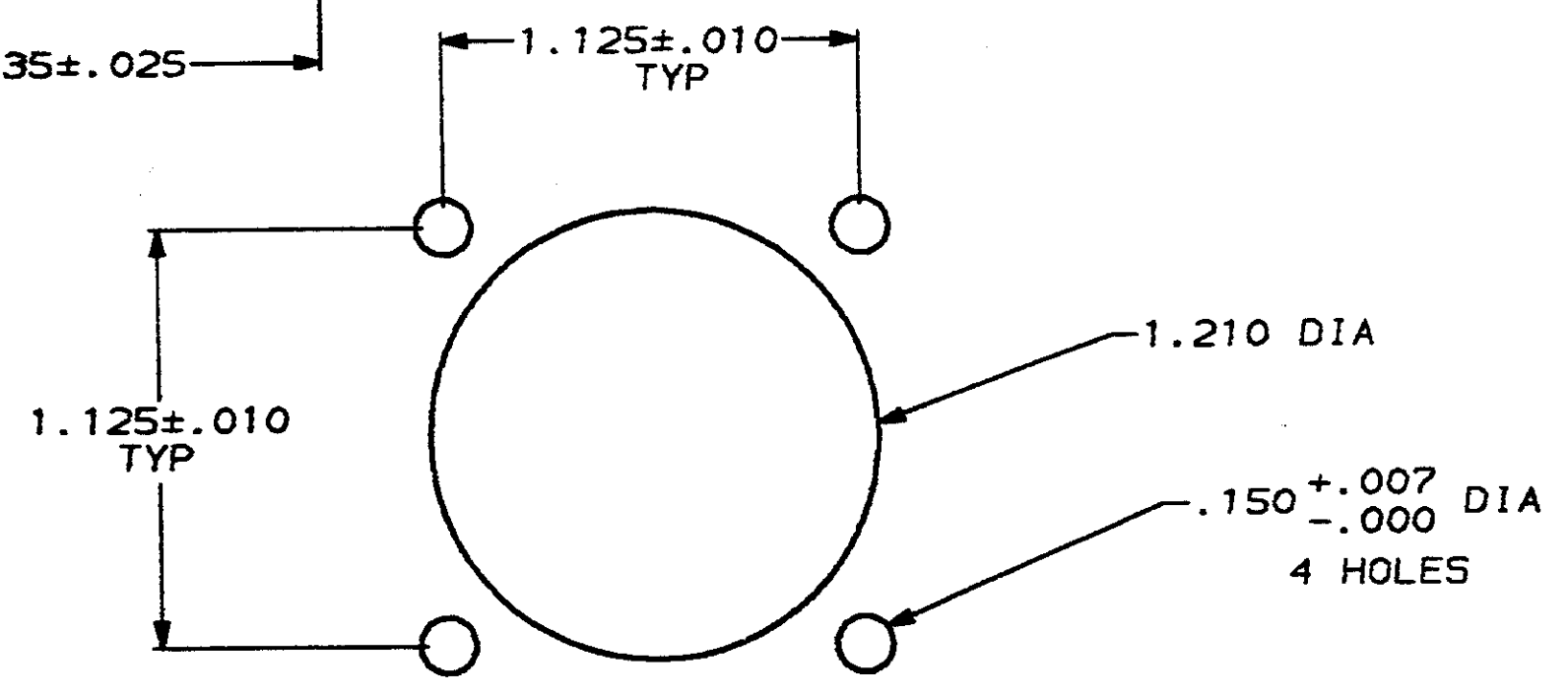
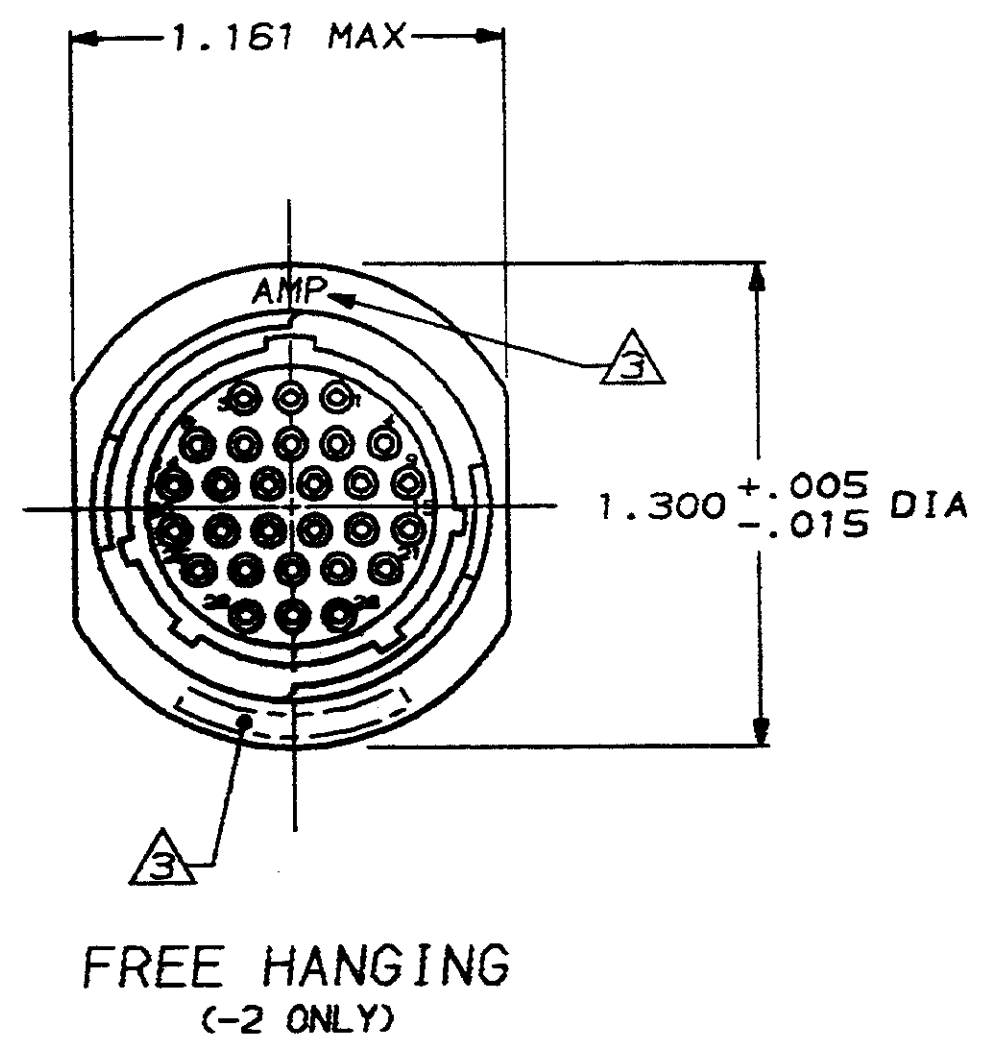
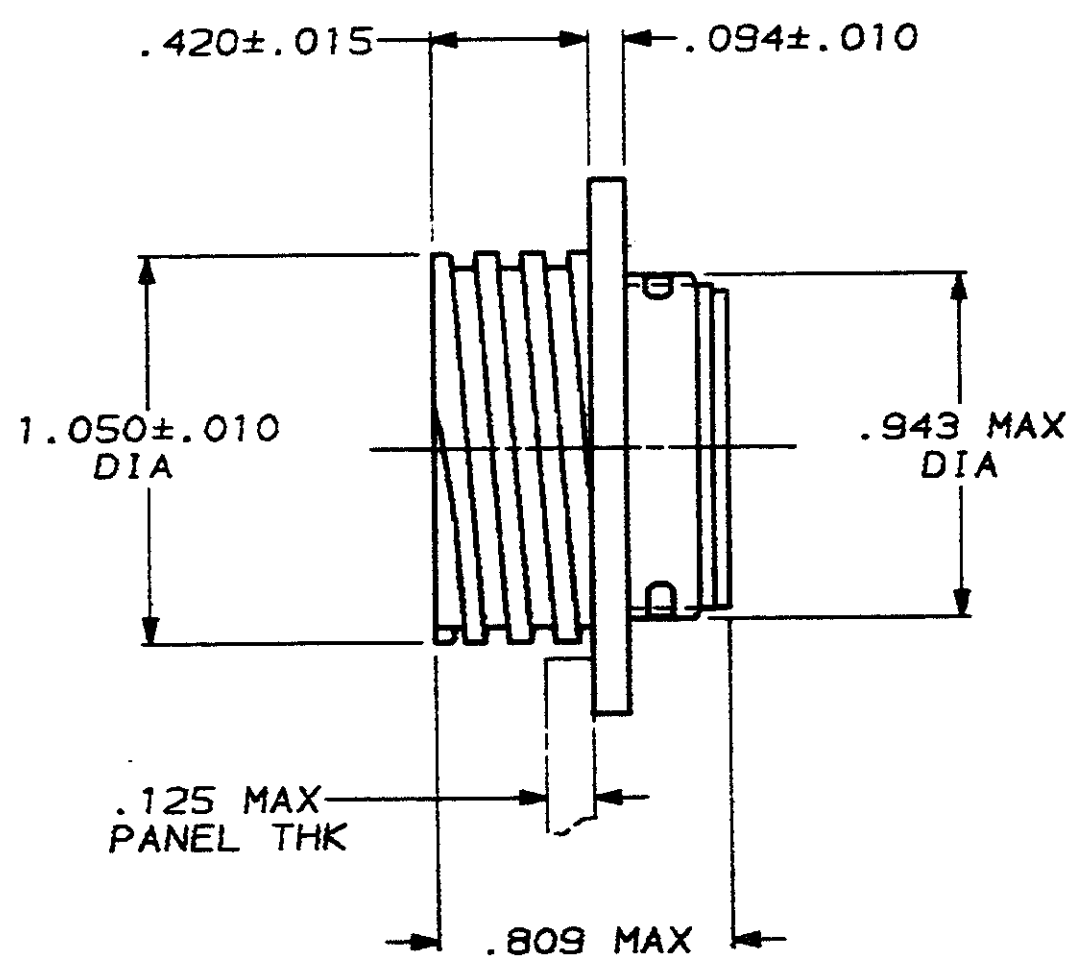
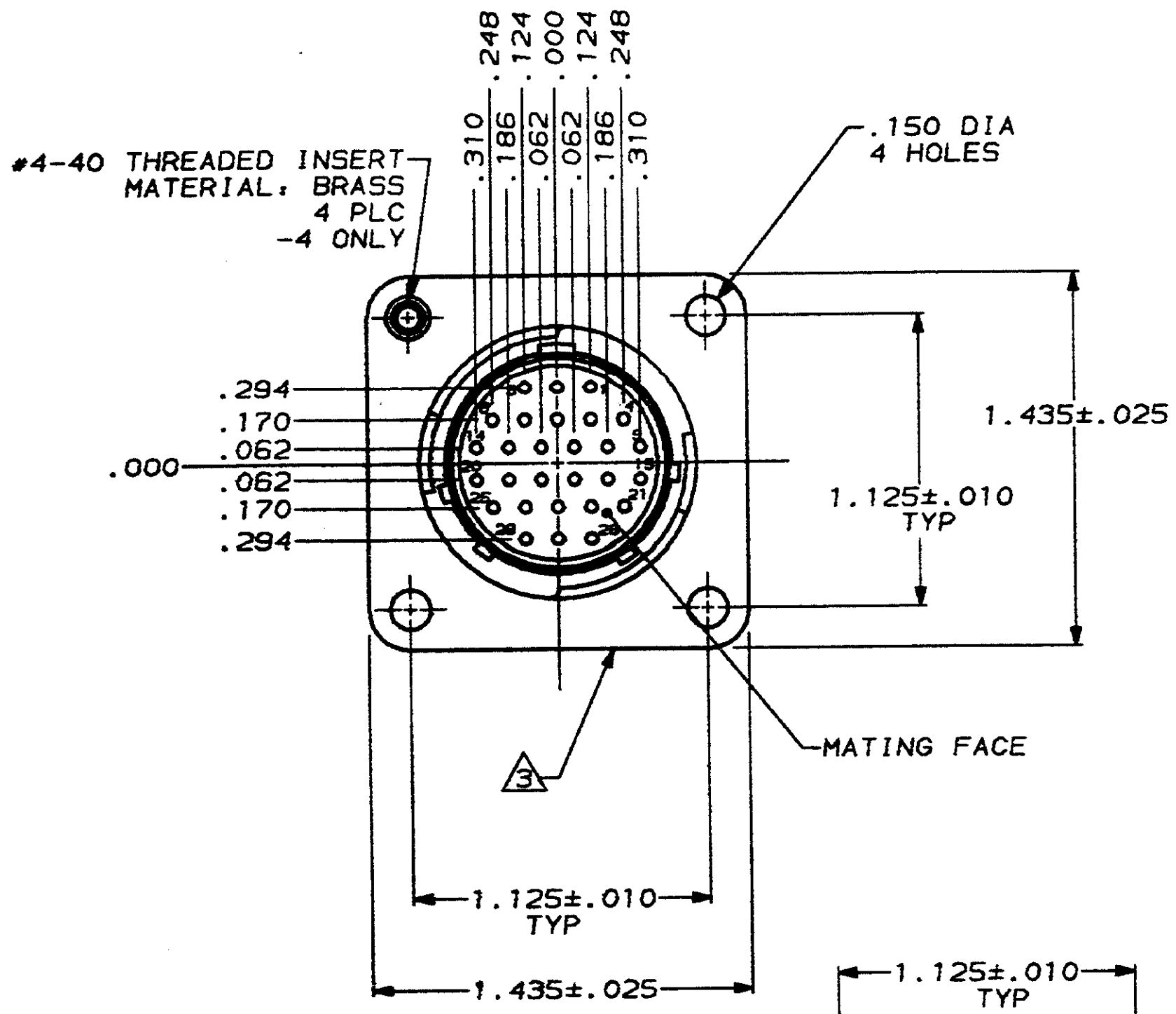


DRAWING MADE IN THIRD ANGLE PROJECTION

THIS DRAWING IS UNPUBLISHED. RELEASED FOR PUBLICATION .19
 © COPYRIGHT 19 BY AMP INCORPORATED. ALL INTERNATIONAL RIGHTS RESERVED.

REVISE		DATE		DESCRIPTION		DATE	APPD
23	BD	35					
				G	REDRAWN	4/5/91	-
				H	REVISED PER ECN 806766	10/07/92	KB



206038-4
206038-2
206038-1
PART NUMBER

PANEL CUTOUT

- CONTACT CAVITIES IDENTIFIED BY CHARACTERS ON FRONT AND REAR FACES OF CONNECTOR.
 - WILL ACCEPT (28) SIZE 20 SOCKET CONTACTS.
- △ AMP AND PART NUMBER THIS AREA.

DO NOT SCALE PRINT. UNLESS SPECIFIED DIMENSIONS IN INCHES TOLERANCES ON: 2 PLC DEC ± - 3 PLC DEC ± .005 ANGLES ± -	DR 4/5/91 A. STAUB BG CHK 7-24-92 W.G. LENKER APPD 7-24-92 K. BEAVER APPD 7-24-92 C. RONDE PRODUCT SPEC 108-10024 APPLICATION SPEC - WEIGHT -	AMP AMP Incorporated Harrisburg, PA 17105-3608
MATERIAL THERMOPLASTIC, BLACK	NAME RECEPTACLE ASSEMBLY, REV SEX, SERIES 2, 17-28, CPC	
FINISH -	SIZE C	CAGE CODE 00779
	SCALE 2:1	DRAWING NO 206038
		SHEET 1 OF 1

CUSTOMER DRAWING