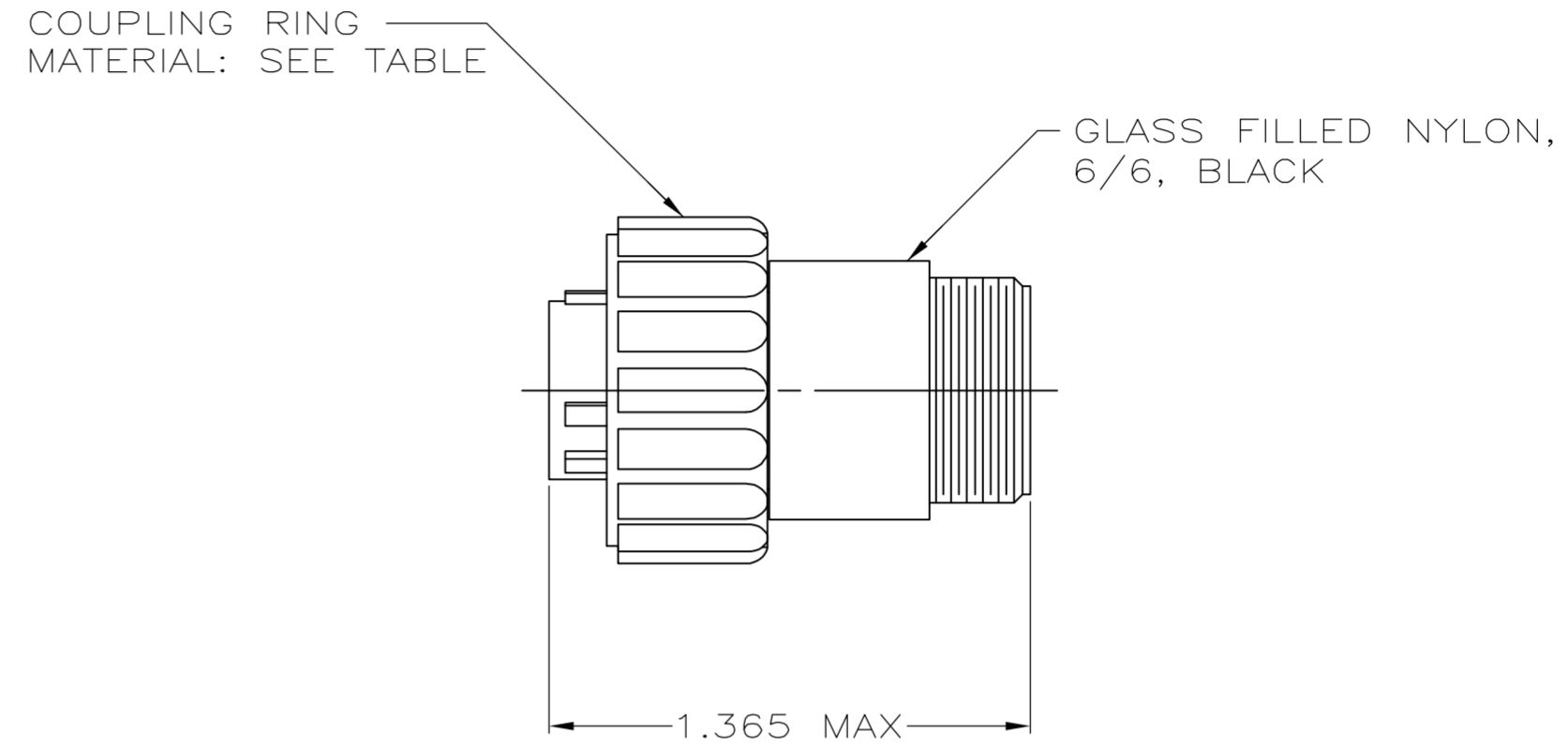
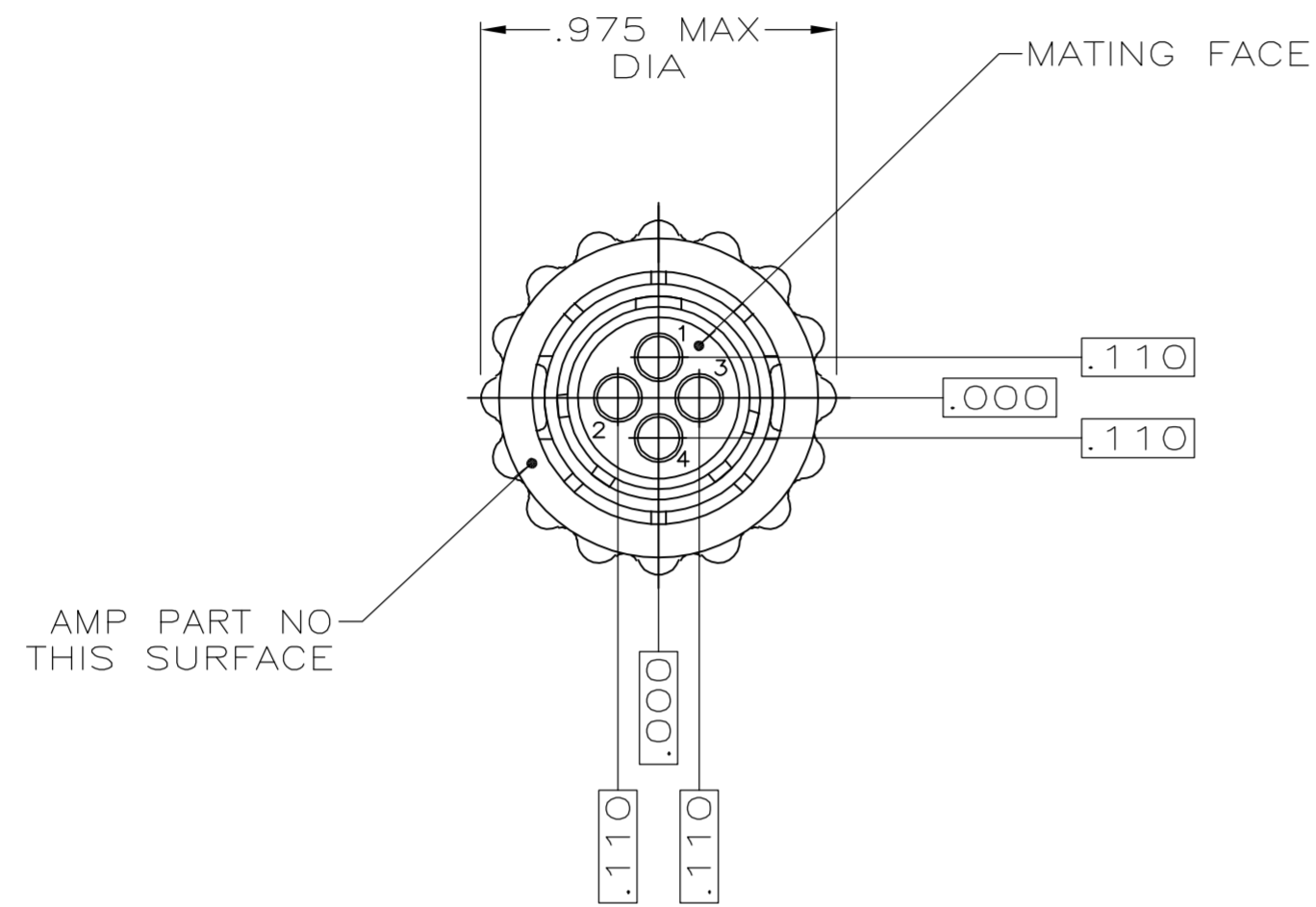


THIS DRAWING IS UNPUBLISHED. RELEASED FOR PUBLICATION  
 © COPYRIGHT BY TYCO ELECTRONICS CORPORATION. ALL RIGHTS RESERVED.

LOC		DIST		REVISIONS			
P	LTR	DESCRIPTION		DATE	DWN	APVD	
FT	0	D1	REVISED PER ECO-05-675		8/30/05	SS	SH



1. CONTACT CAVITIES IDENTIFIED BY CHARACTERS ON FRONT AND REAR FACES OF CONNECTOR.
2. THIS CONNECTOR WILL ACCEPT FOUR (4) MULTIMATE PIN CONTACTS.

DIE CAST ZINC	206429-2
POLYESTER, BLACK	206429-1
COUPLING RING MATERIAL	PART NUMBER

THIS DRAWING IS A CONTROLLED DOCUMENT.		DWN	S.RIDGLEY	BG	8/2/90	<b>tyco</b> Electronics		Tyco Electronics Corporation	
DIMENSIONS: INCHES		CHK	R.STONE		04/26/91			Harrisburg, PA 17105-3608	
TOLERANCES UNLESS OTHERWISE SPECIFIED:		APVD	-	-	-	NAME		PLUG ASSEMBLY, SHELL	
0 PLC ± -		PRODUCT SPEC	-	-	-	SIZE		CAGE CODE	
1 PLC ± -		APPLICATION SPEC	-	-	-	DRAWING NO		RESTRICTED TO	
2 PLC ± -		WEIGHT	-	-	-	A2 00779		C=206429	
3 PLC ± -		CUSTOMER DRAWING		SCALE	2:1	SHEET		1 of 1	
4 PLC ± -				REV	D1				
ANGLES ± -									
FINISH									