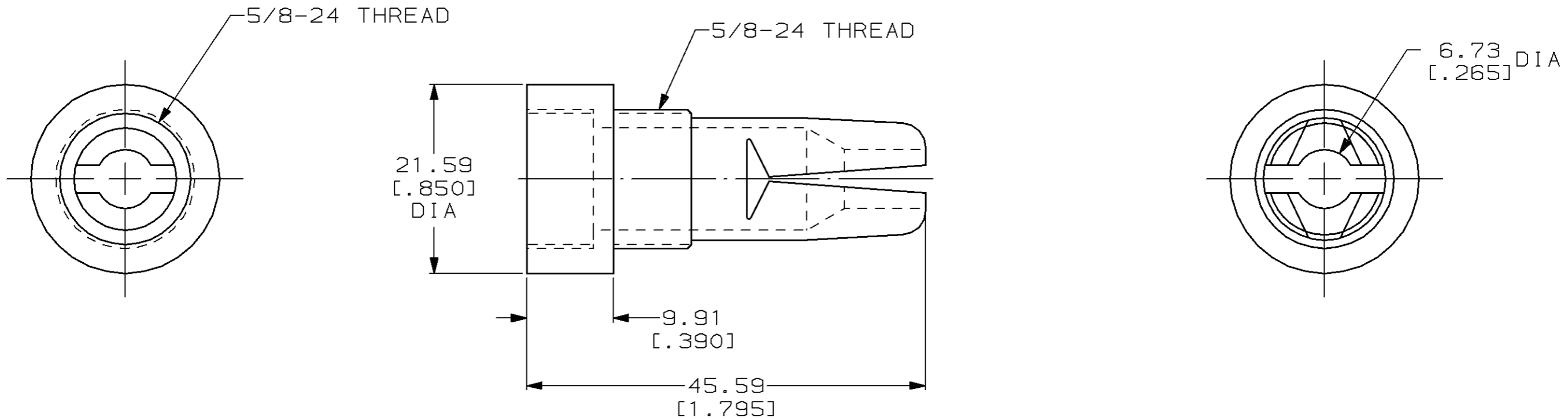


THIS DRAWING IS UNPUBLISHED. RELEASED FOR PUBLICATION, 19 .  
© COPYRIGHT 19 BY AMP INCORPORATED. ALL INTERNATIONAL RIGHTS RESERVED.

MOD	LOC	DIST	P	F	ZONE	LTR	DESCRIPTION	DATE	APPD
4	BD	35				C	REDRAWN W/O CHANGE PER EC 0020-600-94	06/20/94	AF



1. ACCEPTS CABLE RANGE FROM 3.81 [.150] TO 6.35 [.250] WHEN USED WITH FLEXIBLE BOOT 207489-1.

207490-1  
PART NO

DO NOT SCALE PRINT. UNLESS SPECIFIED DIMENSIONS IN mm [INCHES] TOLERANCES ON: 2 PLC DEC ± 0.13 [.005] 3 PLC DEC ± - ANGLES ± -	DR 06/20/94 K.FOLTZ	<b>AMP</b> AMP Incorporated Harrisburg, PA 17105-3608
	CHK 06/24/94 R.STONE	
	APPD 08/09/94 A.FRANTUM	
	APPD 08/09/94 A.FRANTUM	
MATERIAL THERMOPLASTIC, COLOR: BLACK	PRODUCT SPEC -	NAME CABLE GRIP, INTERNAL SIZE 11, CPC
FINISH -	APPLICATION SPEC -	SIZE <b>B</b> CAGE CODE 00779 DRAWING NO <b>C-207490</b>
	WEIGHT -	SCALE 2:1 SHEET 1 OF 1

THIS DRAWING IS A CONTROLLED DOCUMENT FOR AMP INCORPORATED. IT IS SUBJECT TO CHANGE AND THE CONTROLLING ENGINEERING ORGANIZATION SHOULD BE CONTACTED FOR THE LATEST REVISION.