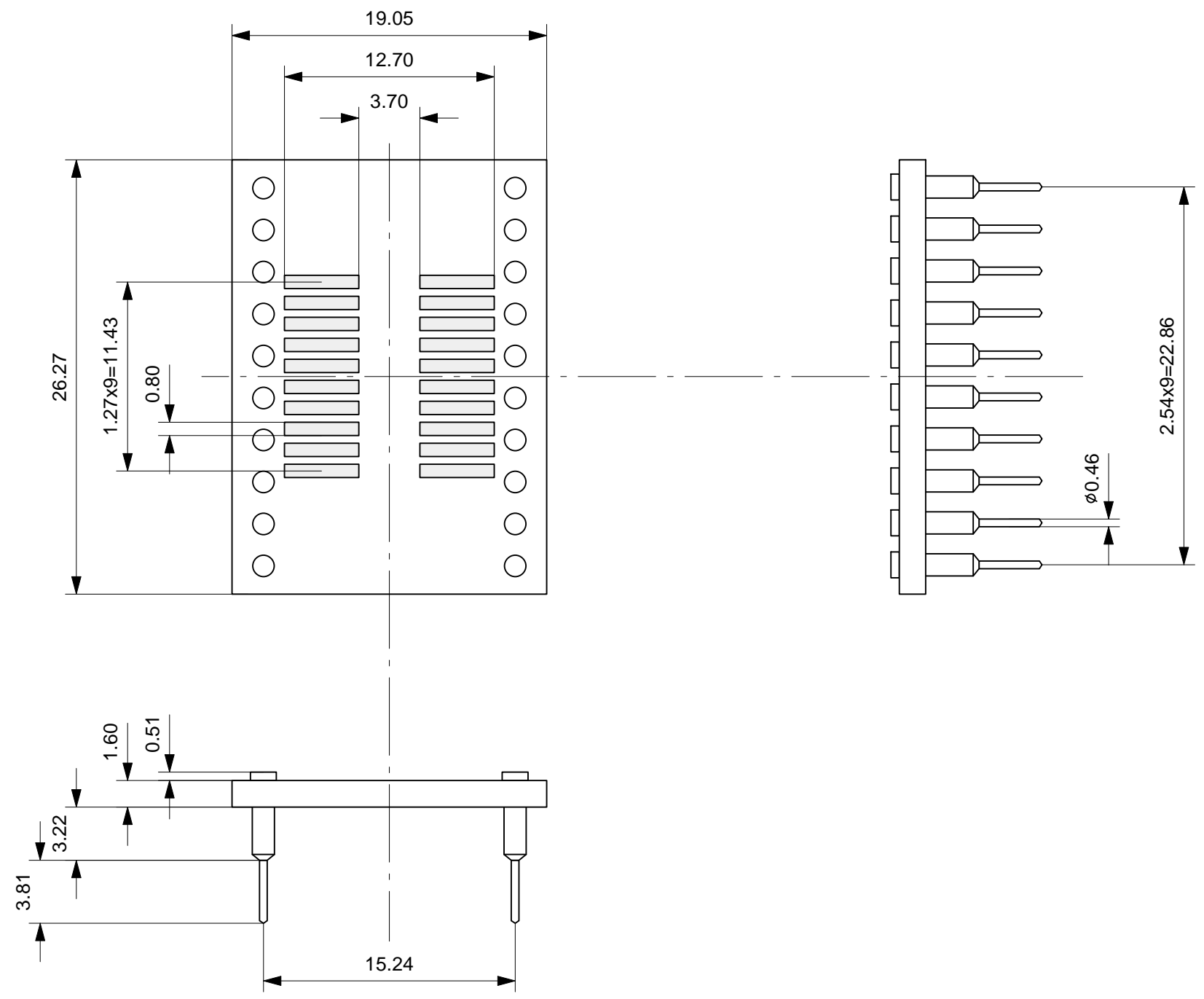


MODEL NUMBER
20P-SOD



NOTES:
All specifications are to latest revision, unless otherwise noted.
Specifications are subject to change without notice.



DRAWING NO. CP-62201		REV.	DRAFTER Y.KOBA
DATE 2000. 2.19		CHECKER	
DIMENSION mm	APPROVAL		
SCALE 3:1	TOLERANCES ± 0.3		