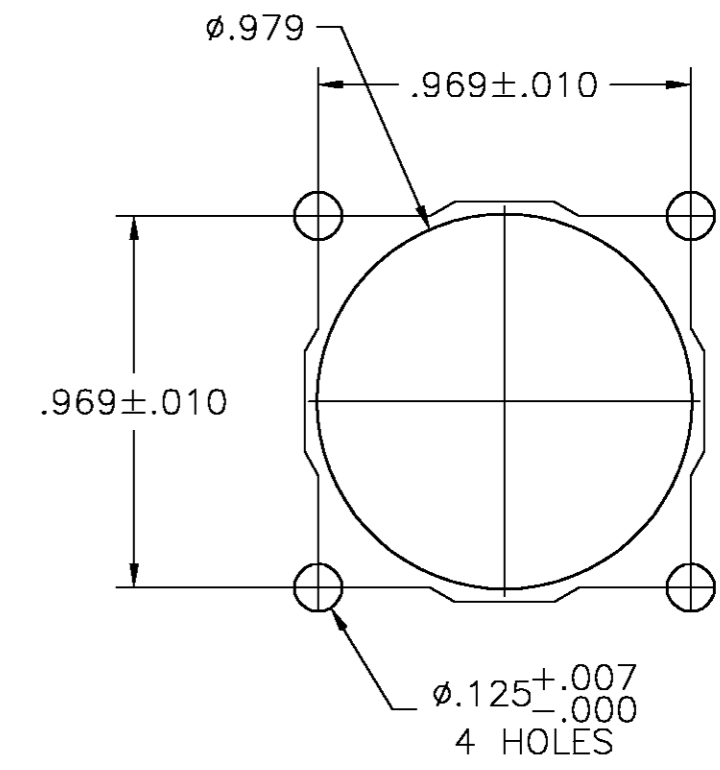
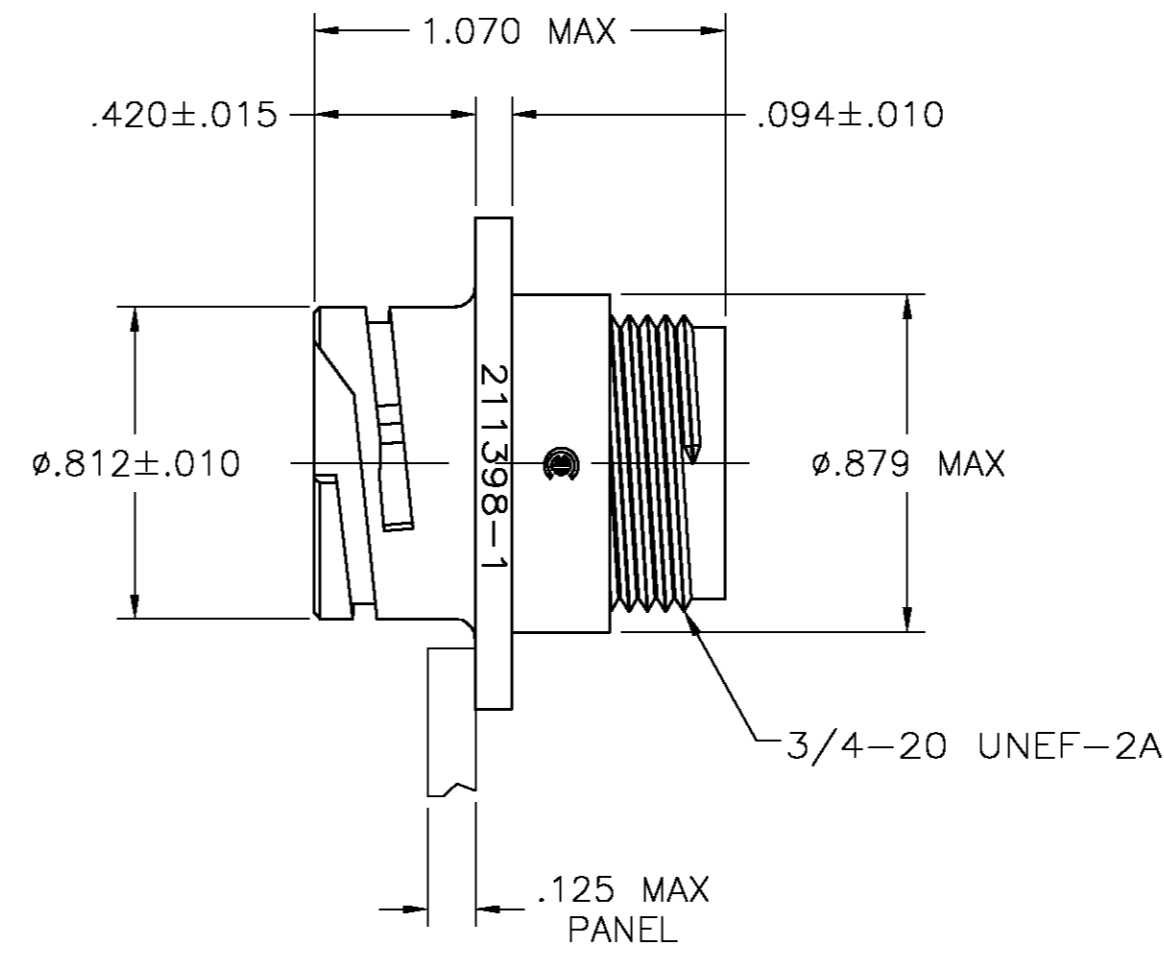
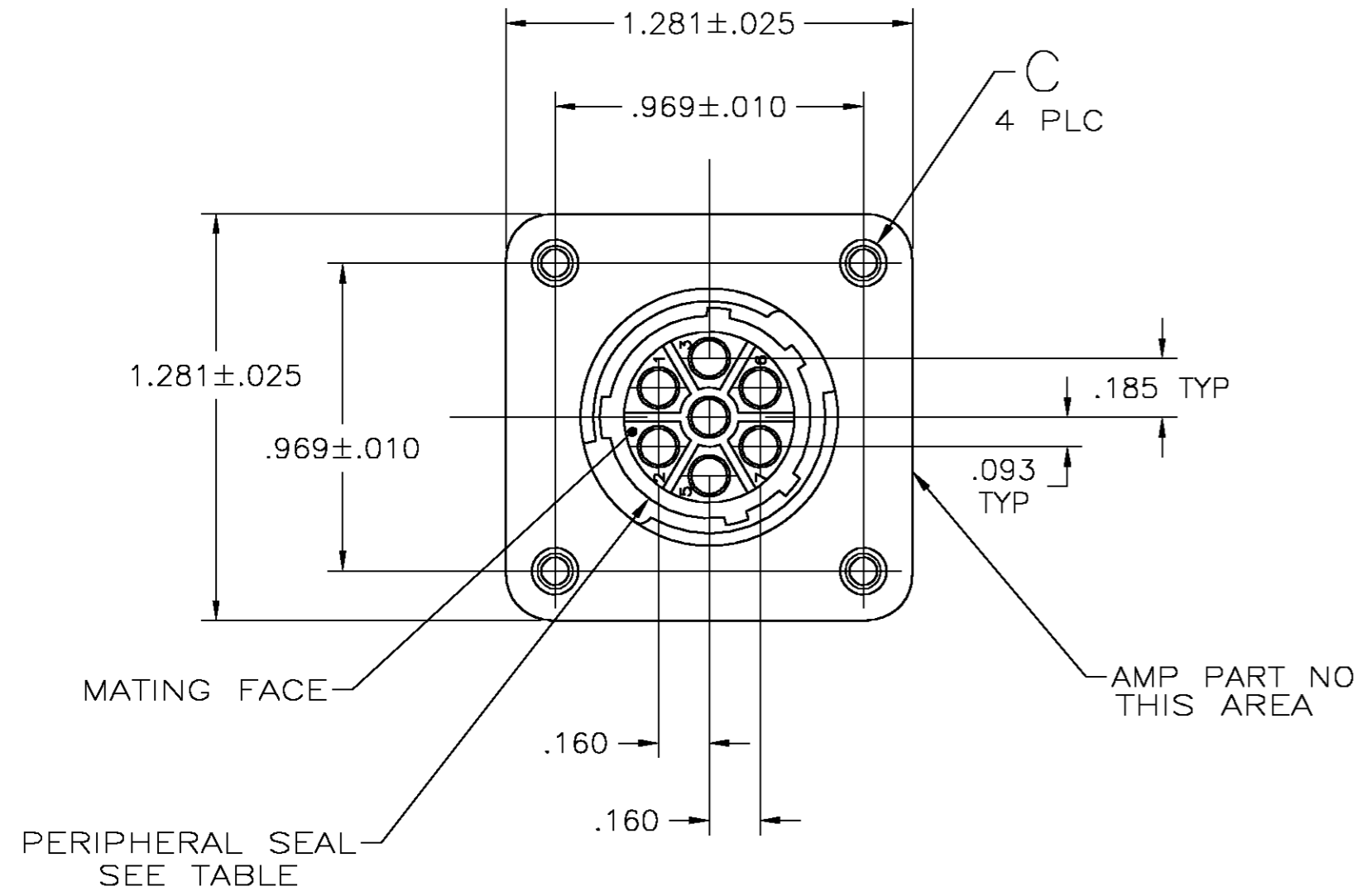


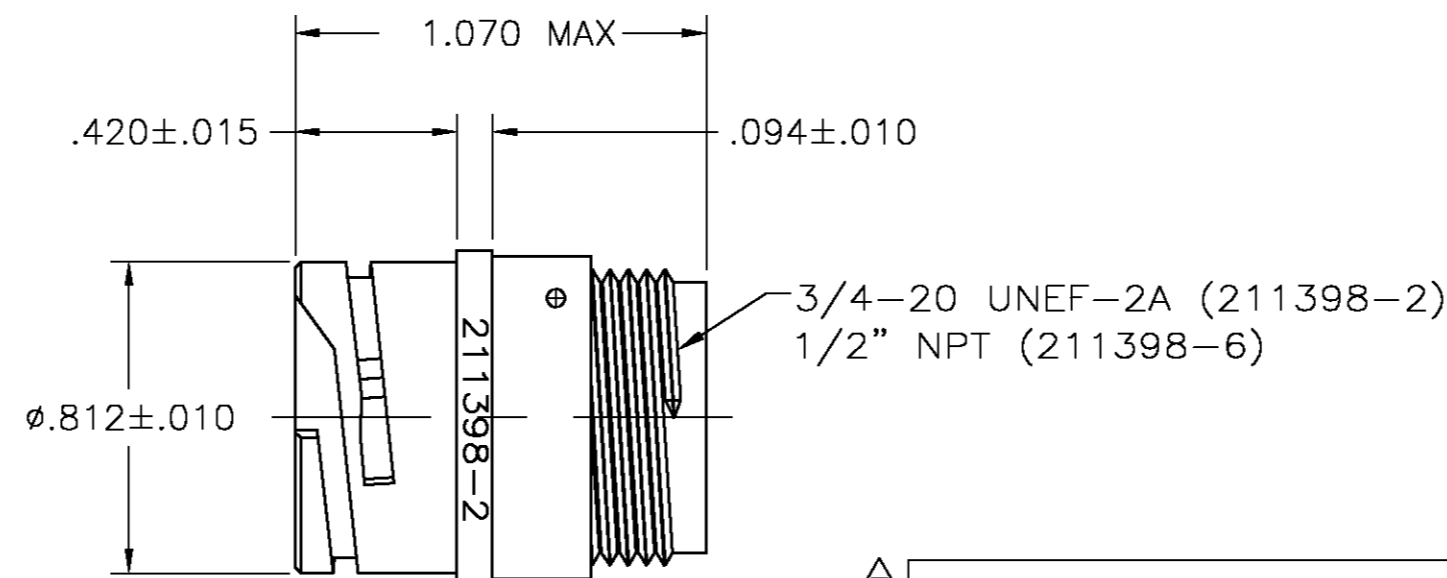
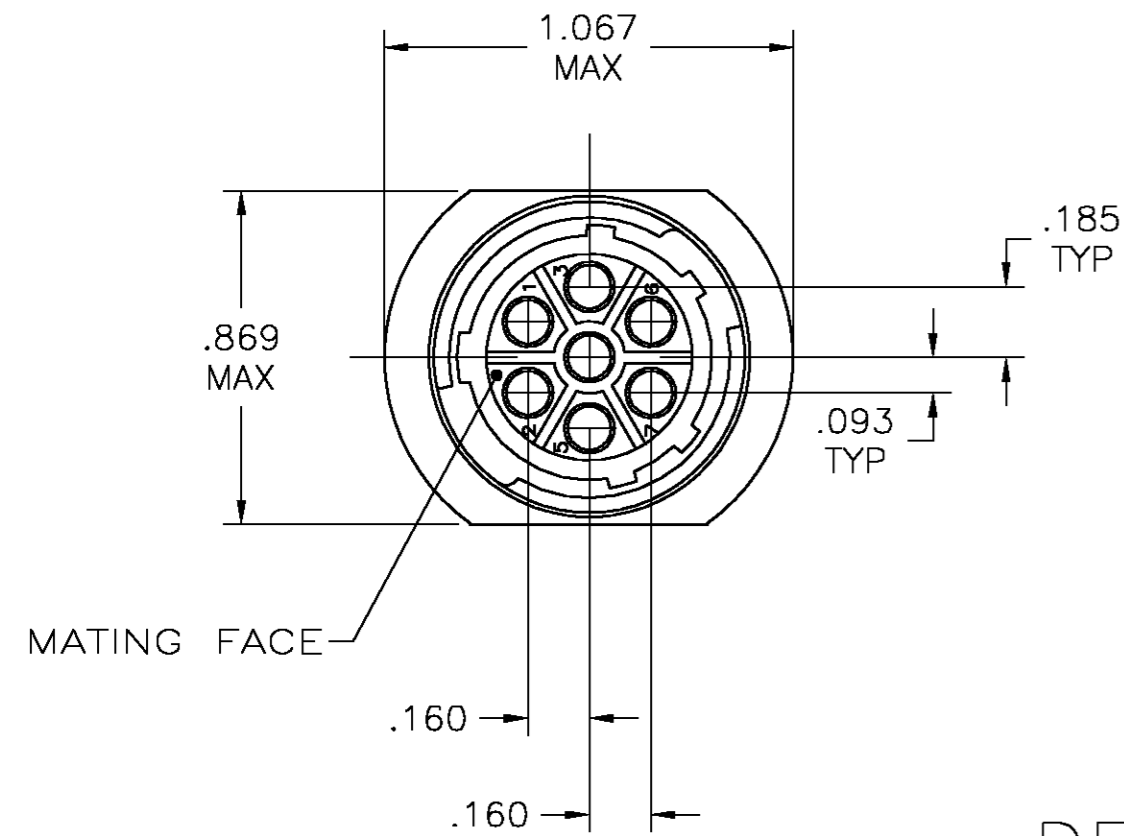
THIS DRAWING IS UNPUBLISHED. RELEASED FOR PUBLICATION
 © COPYRIGHT BY TYCO ELECTRONICS CORPORATION. ALL RIGHTS RESERVED.

LOC		DIST		REVISIONS			
P	LTR	DESCRIPTION	DATE	DWN	APVD		
FT	0						
	K	REVISED PER OG3B-0786-03	10/20/03	SS	SH		



RECOMMENDED PANEL CUTOUT

DETAIL A



DETAIL B

3	-	NO	B	211398-6
3	4-40 THREADED INSERTS	YES	A	211398-5
	4-40 THREADED INSERTS	NO	A	211398-4
	φ.150±.003	YES	A	211398-3
	-	NO	B	211398-2
	φ.150±.003	NO	A	211398-1
	C	PERIPHERAL SEAL	SEE DETAIL	PART NUMBER

NOTES:

- CAVITY IDENTIFICATION ON FRONT AND REAR FACE.
 - WILL ACCEPT SEVEN (7) MULTIMATE SOCKET CONTACTS.
- 3 PRELIMINARY PART NUMBER.

THIS DRAWING IS A CONTROLLED DOCUMENT.		DWN D.HARDY 07-27-94	Tyco Electronics Corporation Harrisburg, PA 17105	
DIMENSIONS: INCHES		CHK R.STONE 08-10-94	NAME A.FRANTUM	
TOLERANCES UNLESS OTHERWISE SPECIFIED:		APVD 10-03-94	PRODUCT SPEC	
0 PLC ± -		APPLICATION SPEC		
1 PLC ± -		-		
2 PLC ± .005		WEIGHT		
3 PLC ± -		A2 00779 C=211398		
4 PLC ± -		SCALE 2:1 SHEET 1 OF 1 REV K		
ANGLES ± 0°30'		CUSTOMER DRAWING		
FINISH		-		