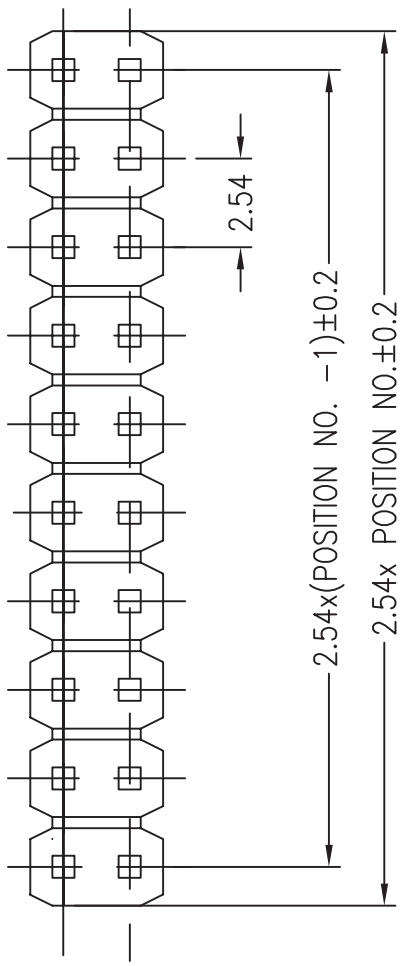


1 2 3 4 5 6 7

A

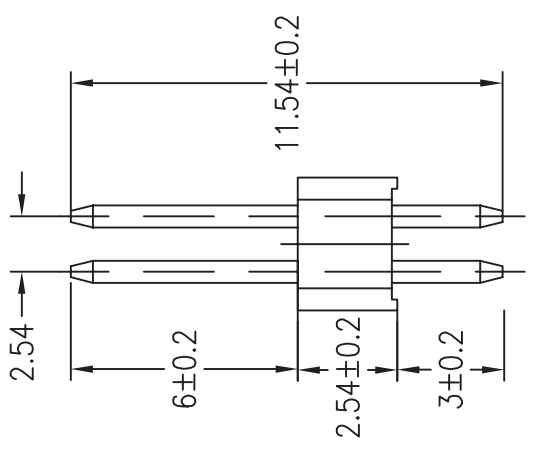
A

NOTH :4 ~80 POSITION



B

B



D

D

(STRSIGHT)

- Insulator Material:PBT &30% Glass Fiber(UL 94V-0)
- Contact Resistance:30MΩ Max at DC 100ma
- Insulator Resistance:1000MΩ min atdc 500V
- Current Rating:1 AMP
- Dislectriv Withstanding Voltage:AC 500V For 1 minute
- Temperature Rating:-55C ~ +105C
- Contact Material:Phosphor Brass

E

E

1 2 3 4 5 6 7