

A

B

C

D

E

7

6

5

4

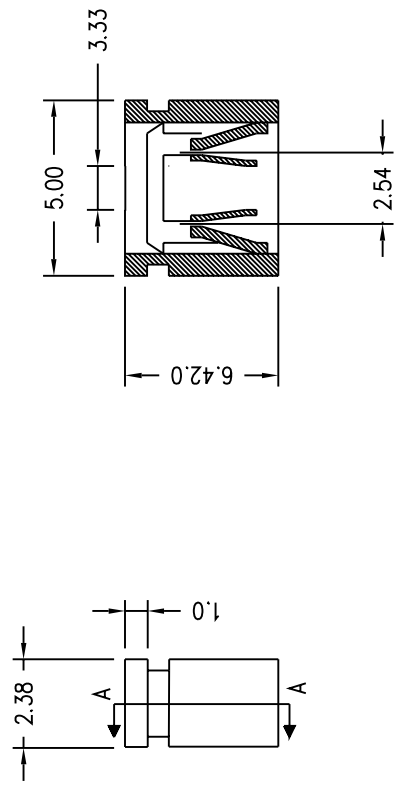
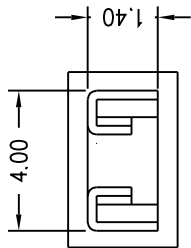
3

2

1

NOTES:

- 1.MATERIAL
- 1-1 Insulator:PBT 30% Glass Fiber UL-94V-0
- 1-2 Contact:Brass or Phosphor Bronze
- 1-3 Contact Plating:Glod Plated Over Nickel
- 2.SPECIFICATION
- 2-1 Current Rating:3 AMP
- 2-2 Dielectric Strength:500 V AC
- 2-3 Insulator Resistance:1000M ohms Min
- 2-4 Contact Resistance:20M ohms Min
- 2-5 Operation Temperature:-55°C to +85°C
- 2-6 Maximum Insertion Force:200~80g
- 2-7 Minimum Withdrawl Force:130~80g



CLOSE

PROJ		SCALE : F DO NOT SCALE DWG	MOLD NO	2180-BAA	REV.
APP			MODEL	FILE NO	X1
CHK	CCJ	90.08.02	UNIT	JUMPER H6.0MM CLOSE	SIZE
DGN	AMY	90.08.02	MM	SHT 1 OF 1	A4
DRW	SHIEH	90.08.02			

7

6

5

4

3

2

1

A

B

C

D

E