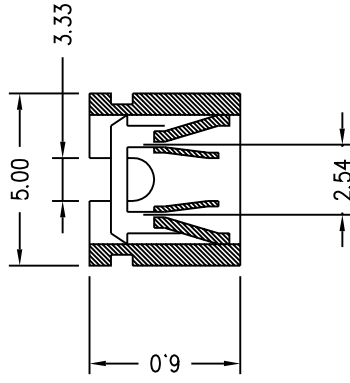
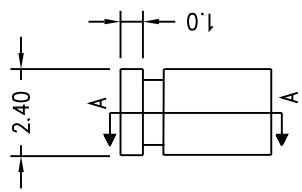
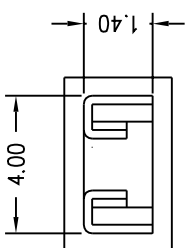


1 2 3 4 5 6 7

A B C D E

NOTES:

- 1.MATERIAL
- 1-1 Insulator:PBT 30% Glass Fiber UL-94V-0
- 1-2 Contact:Brass or Phosphor Bronze
- 1-3 Contact Plating:Gold Plated Over Nickel
- 2.SPECIFICATION
- 2-1 Current Rating:3 AMP
- 2-2 Dielectric Strength:500 V AC
- 2-3 Insulator Resistance:1000M ohms Min
- 2-4 Contact Resistance:20M ohms Min
- 2-5 Operation Temperature:-55°C to +85°C
- 2-6 Maximum Insertion Force:200~80g
- 2-7 Minimum Withdrawal Force:130~80g



PROJ		SCALE : F DO NOT SCALE DWG	MOLD NO	2180-BBA
APP		92.03.07	MODEL	FILE NO JUMPER DPEN H-6.0MM
CHK	CCJ	90.08.02	UNIT	REV. X1
DGN	AMY	90.08.02	MM	SIZE A4
DRW	SHIEH	90.08.02	SHT 1 OF 1	

1 2 3 4 5 6 7