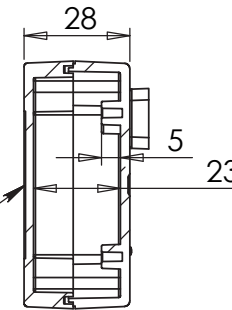


Top view

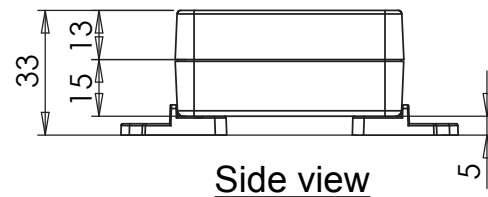


Side view

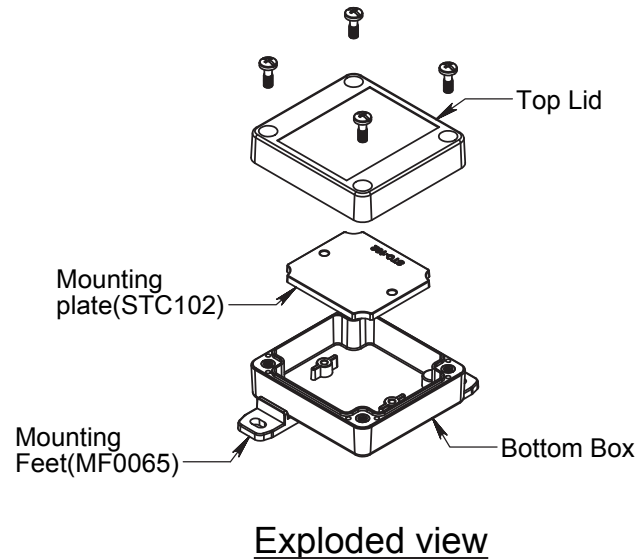
Recessed: 52x39x0.4mm



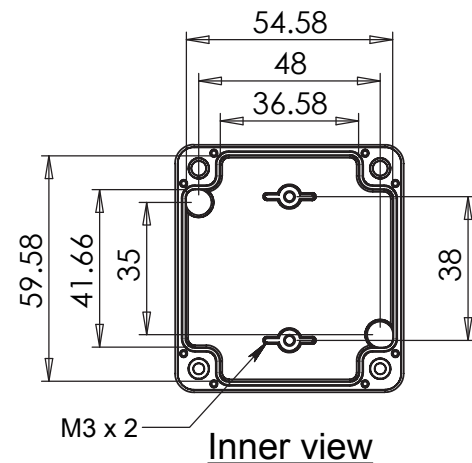
Section A - A



Side view



Exploded view



Inner view

RP1015 Sealed Enclosure
 Size: 65. x 60. x 28. mm.
 Material: ABS, UL-94HB, light grey
 Waterproof: IP65
 Supply:
 1, Stainless fixing screws x 4 pcs.
 2, EPDM gasket x 1.
 3, PCB mounting screw x 2 pcs.
 Option:
 1, RP1015C: PC Clear Lid
 2, Mounting plate.STA102 (Metal)
 3, Mounting plate.STC102 (ABS)
 4, MF0045: Mounting Feet x 2 pcs
 5, MF0065: Mounting Feet x 2 pcs

Design: Stanley	Check:	Date: 2015,02,12	Scale:
RP1015 Dimensions			
65. x 60. x 28. mm		Version: V1.	Page: 1