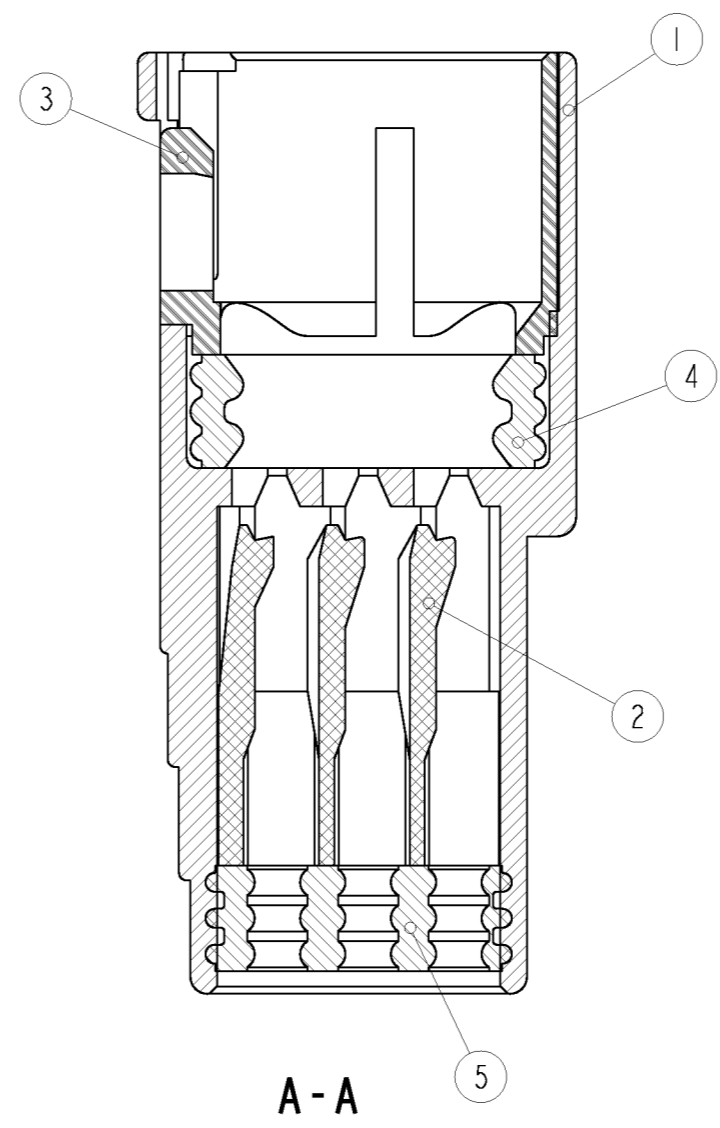
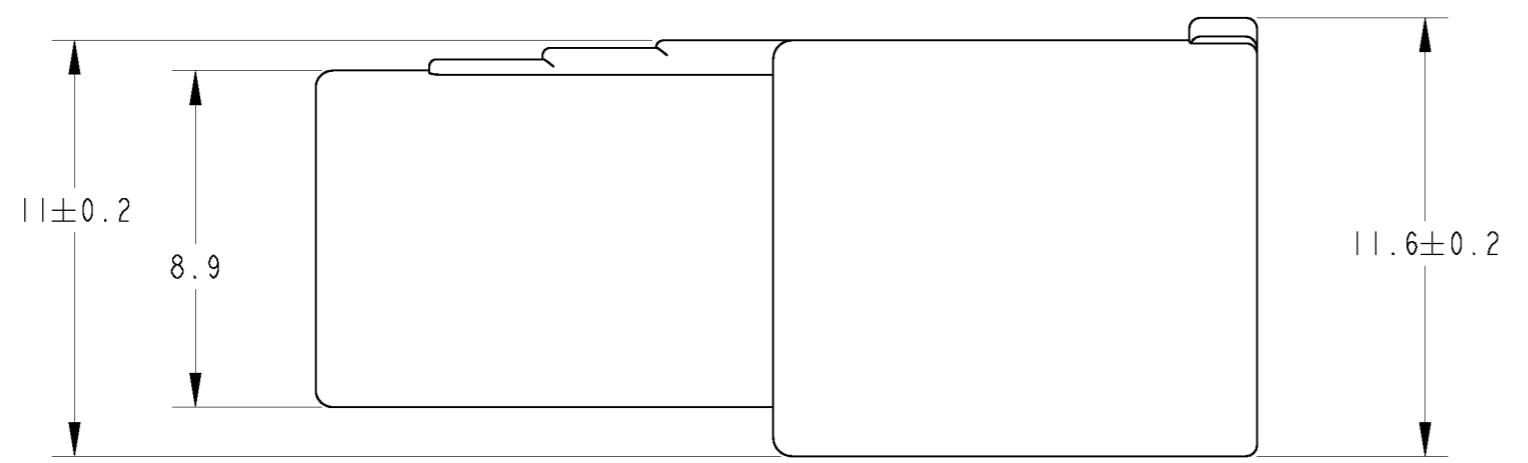
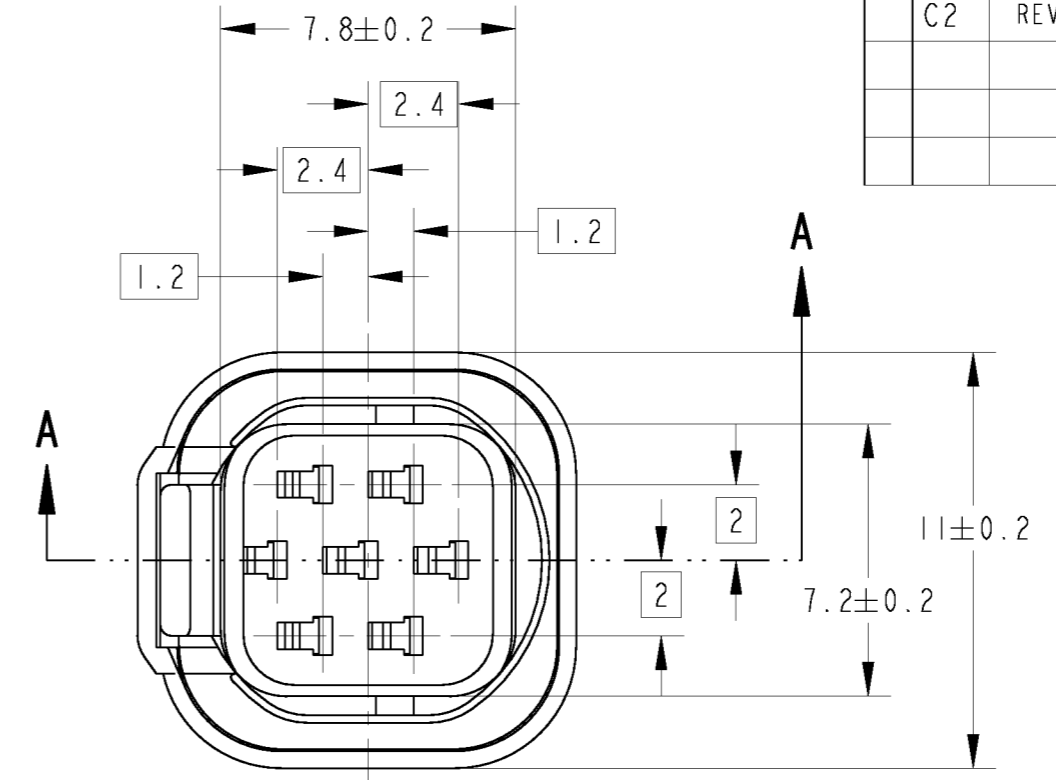
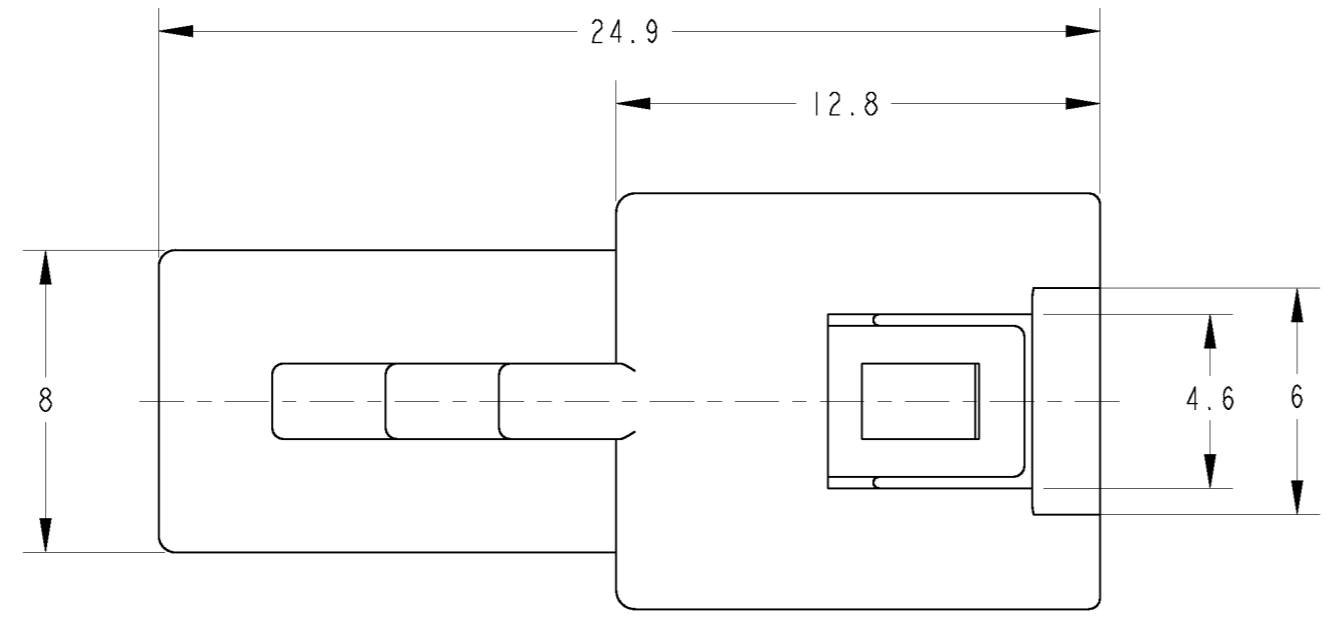
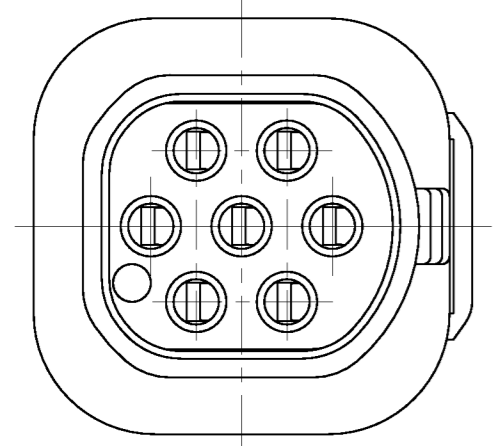


THIS DRAWING IS UNPUBLISHED. RELEASED FOR PUBLICATION 20  
 (C) COPYRIGHT 20 ALL RIGHTS RESERVED.

LOC	DIST	REVISIONS					
J	-	P	LTR	DESCRIPTION	DATE	DWN	APVD
		C2		REVISED PER ECO-11-005140	02APR2011	RK	HMR



- 1. THE MATING PLUG HSG P/N 917318
  - 2. APPLIED CONTACT P/N 917309
  - 3. APPLICABLE PRODUCT SPEC. No. 108-5426
  - 4. INSTRUCTION SHEET: 412-5653
- 1. 嵌手相手ハウジング型番: 917318
  - 2. 内装するタブコンタクト型番: 917309
  - 3. 適用製品規格番号: 108-5426-1
  - 4. 取扱説明書: 412-5653-1

917319-8	917319-7	917319-6	917319-5	917319-4	7 POSITION CAP HOUSING (YELLOW)	1
					7 POSITION CAP HOUSING (GRAY)	1
					7 POSITION CAP HOUSING (BLACK)	1
					7 POSITION CAP HOUSING (NATURAL)	1
					SEAL RUBBER (LIGHT GRAY)	5
					SEAL RING (LIGHT GRAY)	4
					SEAL RING HOLDER (GREEN)	3
					7 POSITION HOUSING LANCE (GREEN)	2
					7 POSITION CAP HOUSING (GREEN)	1
					NAME & COLOR	ITEM NO.

TOLERANCE UNLESS OTHERWISE SPECIFIED:	
10±	±0.2
30±	>10 ±0.25
100±	>30 ±0.3
ANGLE	±0.3°

THIS DRAWING IS A CONTROLLED DOCUMENT.

DIMENSIONS: 単位: 英 (mm)

TOLERANCES UNLESS OTHERWISE SPECIFIED:

一般公差	±
0 PLC	±0.1
1 PLC	±0.01
2 PLC	±0.001
3 PLC	±0.0001
4 PLC	±0.0001
ANGLES	±1°00'
FINISH	仕上

MATERIAL: PBT G

SEE TABLE

DWN: I. SHINOHARA 19 JAN 06  
 CHK: K. BETSUI 19 JAN 06  
 APVD: K. BETSUI 19 JAN 06

PRODUCT SPEC: 108-5426  
 APPLICATION SPEC: 取付適用規格

WEIGHT: -

CUSTOMER DRAWING

SCALE: 5:1

SHEET 1 OF 1

REV: C2

RESTRICTED TO: -