

Econoseal J Series Connectors <Mark II (+)> Connectors for direct attachment to sensor

This connector has developed for use with sensors, utilizing the numerous outstanding features of the conventional Econoseal J Series Mark II (+) connector. It is a water-proof system that can be used on engine-attached sensors under severer-than-normal conditions such as high temperature and vibration. With the double-lock plate lightly fastened to the housing, double-lock operation with this connector is simple and fast.

Features

- **Waterproof connectors for use with sensors which are directly attached to engines.**
- **Housings prevent contacts from being deformed by rocking at mating and unmating (anti-Kojiri action).**
- **With the double lock plate lightly attached to the housing, double lock operation is simple and fast.**

Product Specifications :

108-5355

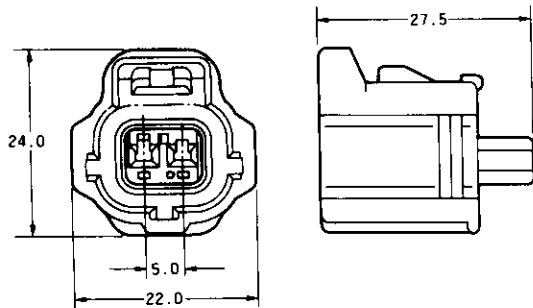
Instruction Sheets :

411-5590

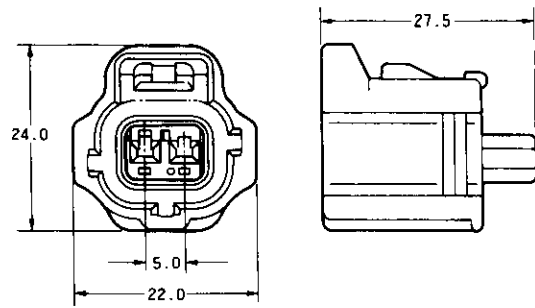
Plug (Preloaded with double lock plate)

2
Pos.

Part number : 178390-2

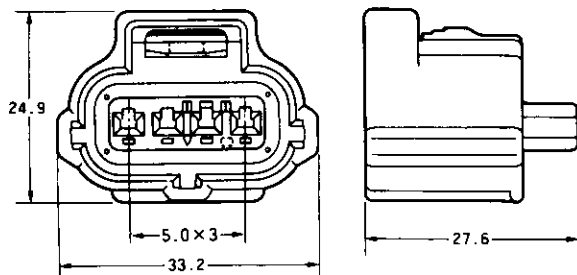


Part number : 178392-2 (The position of rib is different from P/N 178390-2)



4
Pos.

Part number : 178399-2



*The color of housing is black, and that of double lock plate is yellow. *The material of housings are of PBT with glass.

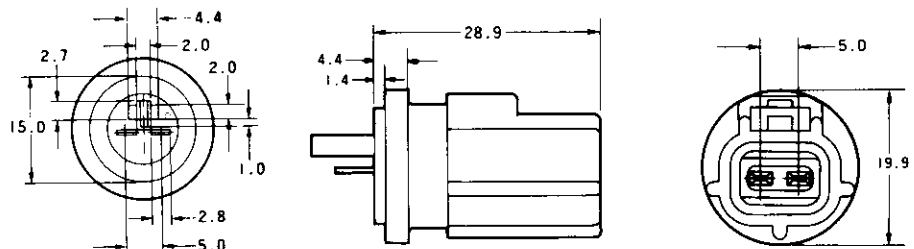
Cap (For direct attachment to sensor)

2
Pos.

Part number : 174365-2

■ Part numbers of mating plug housings

2Pos. : 178390-2



*The color of housing is black, and its material is of PBT with glass.

*The material and finish of tab contacts are of pre-tinned brass.