

4

3

2

1

THIS DRAWING IS UNPUBLISHED.

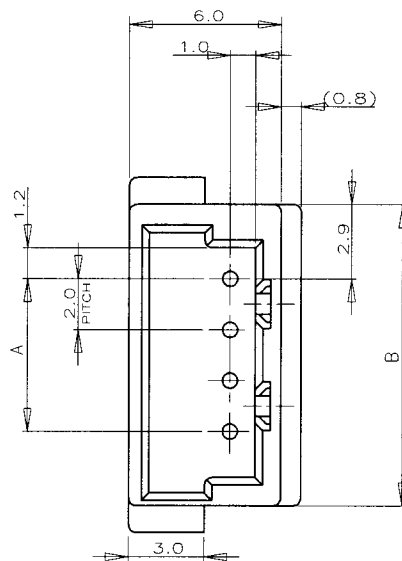
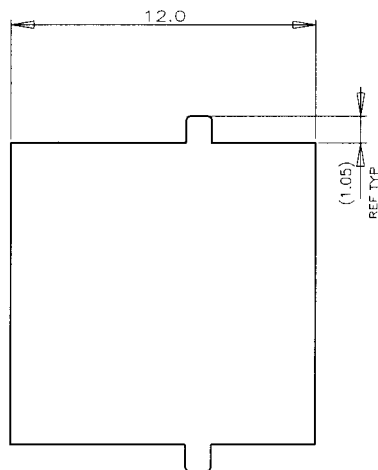
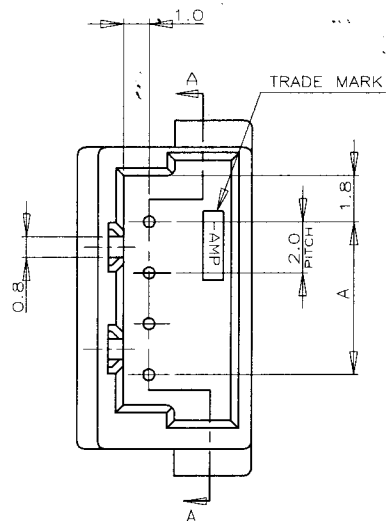
RELEASED FOR PUBLICATION

© COPYRIGHT BY TYCO ELECTRONICS CORPORATION. ALL RIGHTS RESERVED.

LOC FB DIST 00

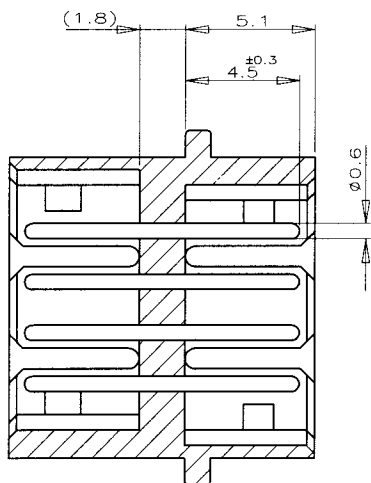
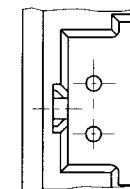
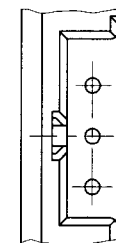
REVISIONS

P	LTR	DESCRIPTION	DATE	DWN	APVD
0	RELEASED	FB00-0013-03	23JAN03	J.J	T.S



NOTES;

△ MATERIAL: HOUSING - 66 NYLON (UL94V-0)
POST - TIN BRASS



SECT. A-A

TOLERANCES UNLESS OTHERWISE SPECIFIED:
 10 > * ±0.2
 30 > * > 10 ±0.25
 100 > * > 30 ±0.3
 ANGEL ±3°

6-	-6	4-	-6	2-	-6	-6	6	15.8	10.0
6-	-5	4-	-5	2-	-5	-5	5	13.8	8.0
6-	-4	4-	-4	2-	-4	-4	4	11.8	6.0
6-	-3	4-	-3	2-	-3	-3	3	9.8	4.0
6-292156-2	4-292156-2	2-292156-2	292156-2	2	7.8	2.0			
BLACK	YELLOW	BLUE	NATURAL	Pos.	B	A			

THIS DRAWING IS A CONTROLLED DOCUMENT.

DWN	S.XU	31JAN03		Tyco Electronics Corporation SHANGHAI, CHINA, 200233
CHK	S.YAO	31JAN03		
APVD	T.SASAKI	31JAN03		
PRODUCT SPEC	NAME		FREE HANGING TYPE RELAY POST HEADER ASS'Y (AMP CT CONN. 2mm PITCH)	
APPLICATION SPEC	SIZE	CAGE CODE	DRAWING NO	RESTRICTED TO
WEIGHT	A3	00779	G-292156	-
CUSTOMER DRAWING	SCALE	5:1	SHEET	1 OF 1
			REV	0